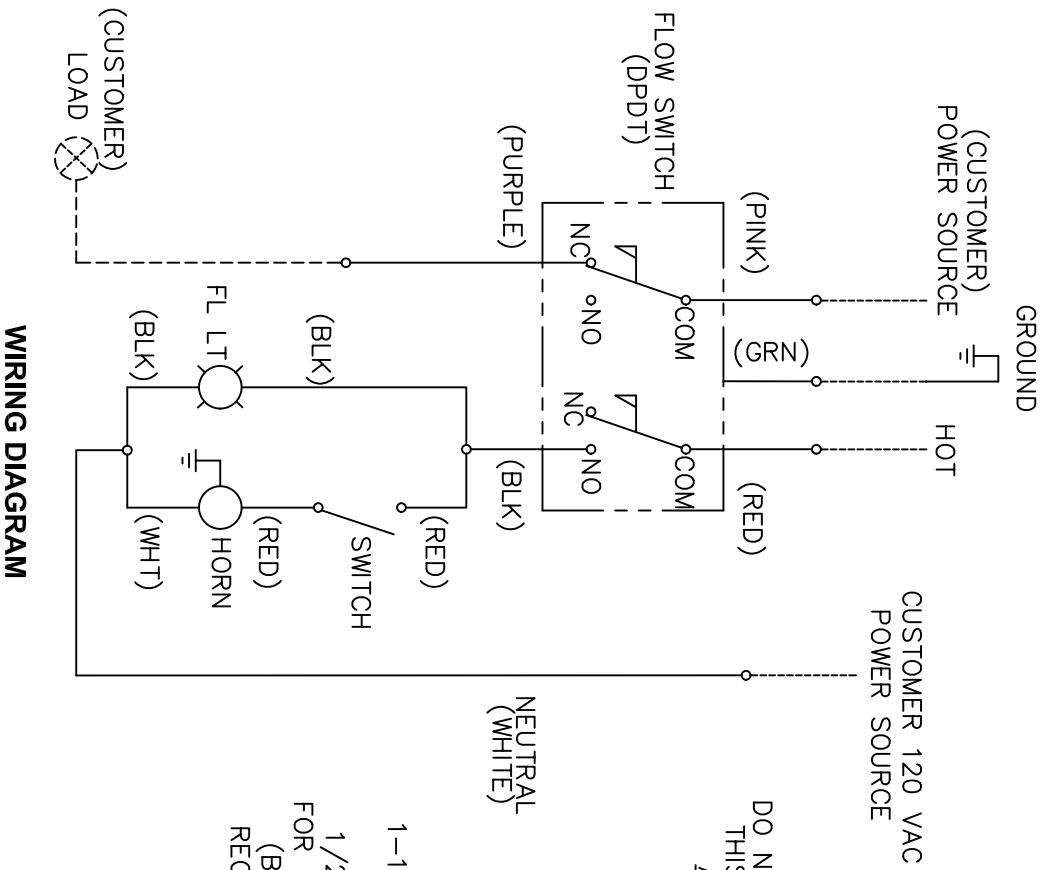
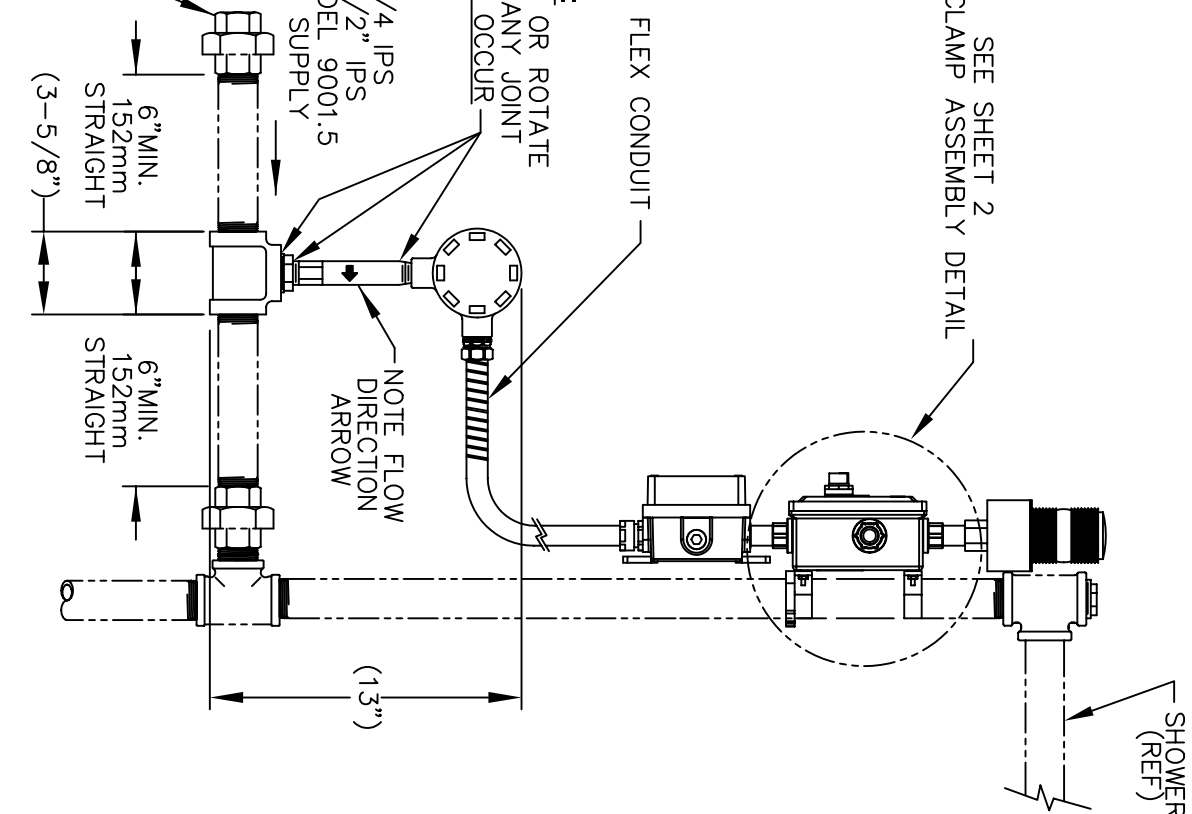


- NOTES:**
1. THE SIGNAL FROM THE RED WIRE WILL BE SUPPLY VOLTAGE WHEN NO WATER IS FLOWING AND ZERO VOLTAGE WHEN THE FLOW SWITCH AND LOCAL ALARM ARE ACTIVATED. IF A REMOTE ALARM IS NOT USED, THE RED WIRE MUST BE INSULATED AT ITS FREE END, LEAVING THE TWO CRIMP TERMINALS (SUPPLIED) CONNECTED WILL DO THIS.
 2. INSTALLER MUST USE A THREAD SEALANT, SUCH AS APPLETON TLC3, RECOMMENDED FOR USE ON ELECTRICAL COMPONENTS ON ALL ELECTRICAL NPT CONNECTIONS.



WIRING DIAGRAM

CAUTION:
DO NOT DISASSEMBLE OR ROTATE THIS ASSEMBLY AT ANY JOINT AS DAMAGE WILL OCCUR



FLOW SWITCH MUST BE MOUNTED IN HORIZONTAL POSITION



1455 KLEPPE LANE
SPARKS, NEVADA 89431
(775) 359-4712 FAX (775) 359-7424
E-MAIL: HAWS@HAWS.CO.COM
WEBSITE: WWW.HAWS.CO.COM

EQN NO.:	78859878	REV:		MODEL(S):	9001/ 9001.5 ALARM
DATE:	01/09/01	CHKD:		INFO FAX DOC #:	29001/ 290015
APPROVED:		DATE:		INSTALLATION/EXARACK	
SIZE:	A	SHEET:	1 OF 2	DATE:	06/20/02
				REV:	22

