

# CHICAGO<sup>®</sup> FAUCETS

2100 SOUTH CLEARWATER DRIVE  
DES PLAINES, ILLINOIS 60018-5999

FITTING NO.

930

SUBMITTED MODEL NO.

JOB NAME

ITEM NO.

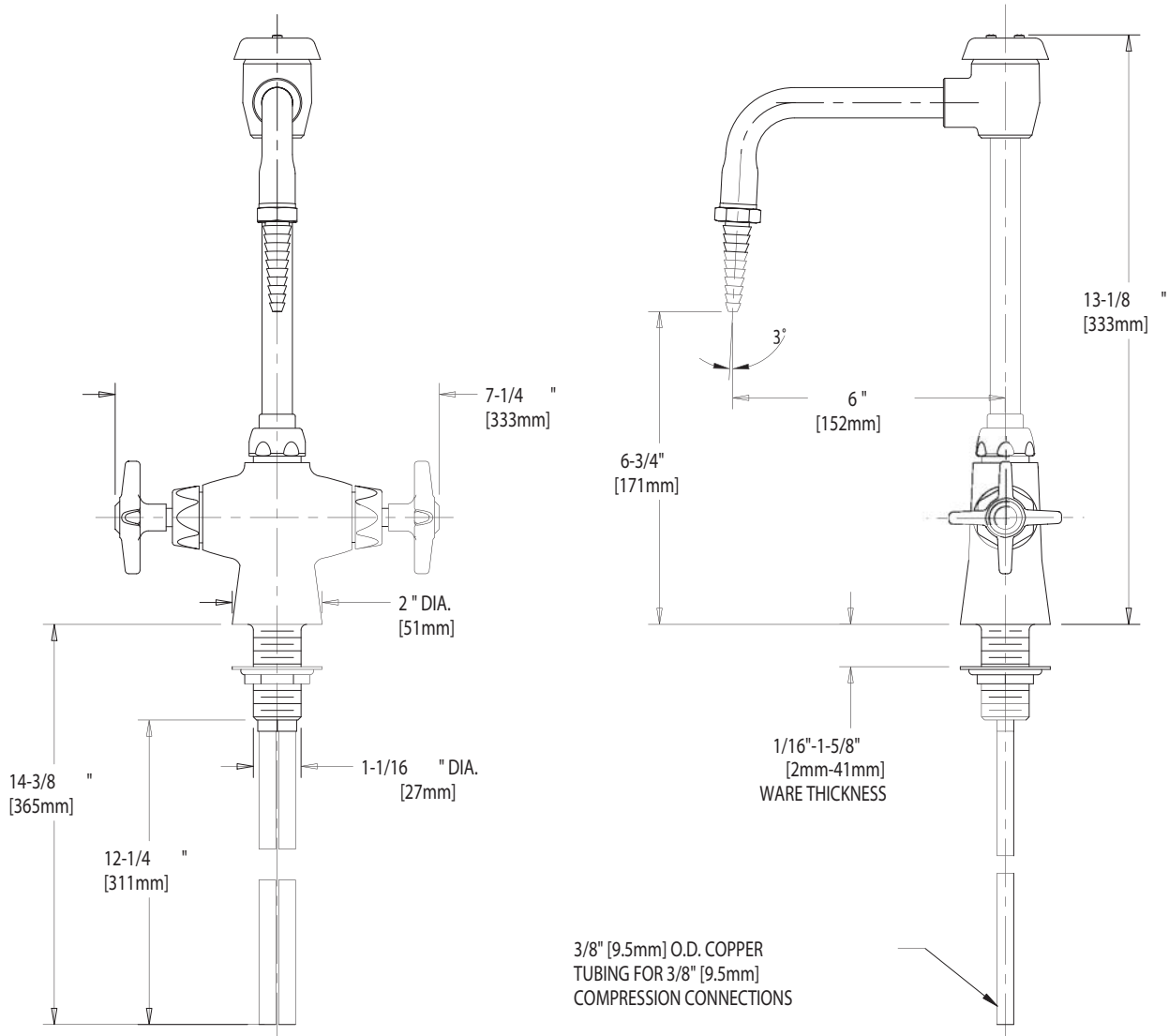
SUBMITTED AS SHOWN

SUBMITTED AS NOTED

SEE ATTACHED FOR  
SUBMITTED MODIFICATION

IS ASSUMED FOR USE OF SUPERCEDED OR VOIDED DATA. (0192-1)

ROUGHING IN DIMENSIONS MAY VARY AND ARE SUBJECT TO CHANGE. NO RESPONSIBILITY



DIMENSIONS IN INCHES AND [MILLIMETERS].

TECHNICAL DATA

- DECK MOUNTED COMBINATION LABORATORY FITTING
- GN2BVB RIGID/SWING VACUUM BREAKER SPOUT
- 204 INDEXED 4-ARM HANDLES
- SLO-COMPRESSION UNITS
- POLISHED CHROME FINISH OR AS SPECIFIED

- 3/8" [9.5mm] COPPER SUPPLY TUBES
- E7 LAB NOZZLE OUTLET
- ANS1 A112.18 COMPLIANT
- CSA B125 COMPLIANT

DATE: 08-05-97

BY: MGM

CHK'D:

APP'D:

REV: 2-7-02

930