

CHICAGO FAUCETS



2100 SOUTH CLEARWATER DRIVE
DES PLAINES, ILLINOIS 60018-5999

Last As Long As The Building

FITTING NO.

1367

SUBMITTED MODEL NO.

JOB NAME

ITEM NO.

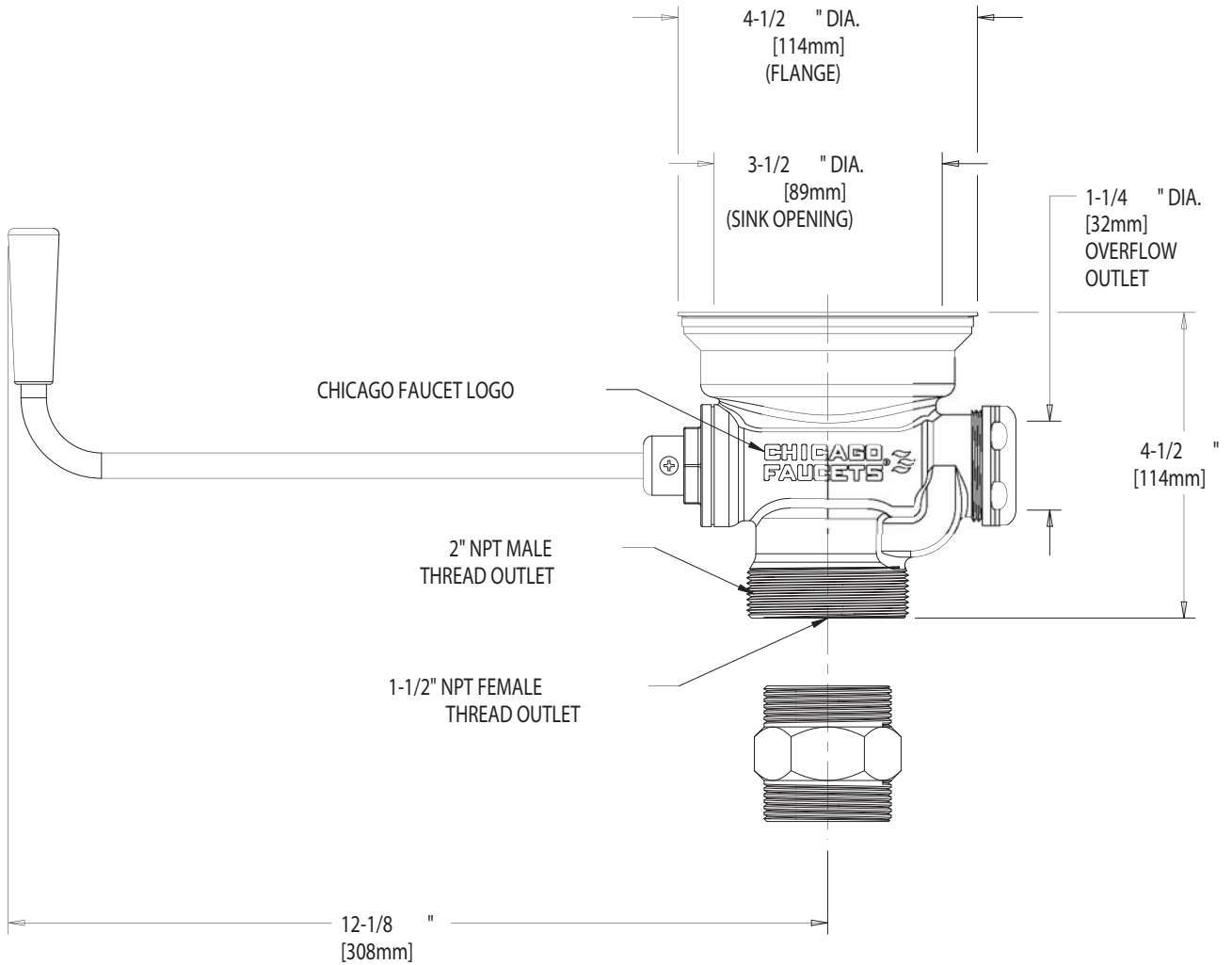
SUBMITTED AS SHOWN

SUBMITTED AS NOTED

SEE ATTACHED FOR
SUBMITTED MODIFICATION

IS ASSUMED FOR USE OF SUPERCEDED OR VOIDED DATA.

ROUGHING IN DIMENSIONS MAY VARY AND ARE SUBJECT TO CHANGE. NO RESPONSIBILITY



DIMENSIONS IN INCHES AND [MILLIMETERS].

TECHNICAL DATA

- ROTARY HANDLE COMMERCIAL WASTE DRAIN
- 1-1/2" OR 2" OUTLETS
- FLAT STRAINER PLATE
- SLIP NUT USED FOR OVERFLOW APPLICATIONS
- FINISH: NO FINISH

- CAP NUT USED FOR NON OVERFLOW APPLICATIONS
- OVERFLOW HEAD AND TUBE TO BE ORDERED SEPARATELY
- CSA COMPLIANT

DATE: 5-12-02

BY: JAR

CHK'D:

APP'D:

REV: A

1367