



T&S BRASS AND BRONZE WORKS, INC.
 2 SADDLEBACK COVE / P.O. BOX 1088 / TRAVELERS REST, SC 29690
 PHONE 800-476-4103 FAX 864-834-3518

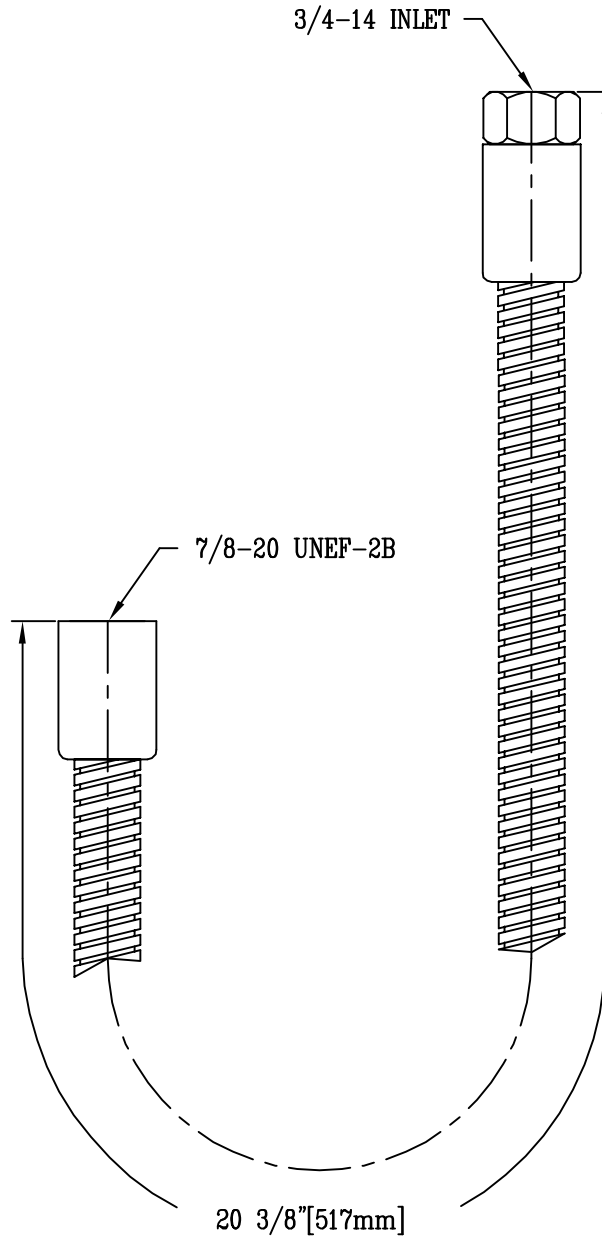


Model No.
 B-0026-H2A
 Item No.:

Job Name:

Architect/Engineer Approval:

Notes:



**FLEX STAINLESS STEEL
 HOSE WITH POLYURETHANE
 INNER HOSE**

Product Description:

FLEXIBLE ST. STEEL HOSE LESS HANDLE

Drawn:

WJS

Approved

MVW

Checked

MVW

Scale:

1:2

Date:

8-2-00