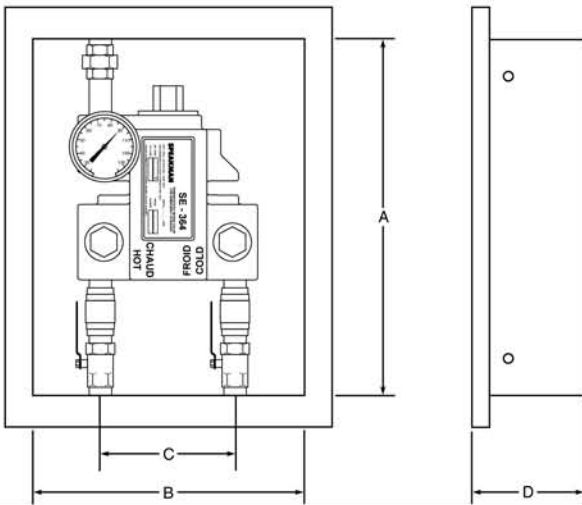


ENG. NO. 85801-C
 PAT. NO. 5,011,074.
 PAT. NO. 5,203,496.
 PAT. NO. 5,323,960.
 PAT. NO. 5,647,531.

Thermostatic Mixing Valve Model SE-364 Emergency Shower Eyewash Unit No. SE-364

Inlets & Outlet are 1¹/₄" NPT



The Emergency Eyewash Mixing Valve shall control outlet temperature over a wide range of flow and shall be suitable for single or multiple eyewash applications. The valve shall include a thermometer to measure the temperature of the stream. Temperature adjustment shall be vandal resistant.

The control mechanism shall employ a liquid filled thermostatic motor to drive the valve without additional power requirements. The control mechanism shall employ a stainless steel sliding piston control device with reverse seat closure and both fixed and variable cold water bypass. In the event of interruption of the cold water supply, the control mechanism closes off the hot water port, stopping all flow.

In the event of interruption of the hot water supply, the control mechanism shall allow cold flow through both the fixed and variable bypass.

In the event that the liquid motor fails, the control mechanism closes off the hot water port with the reverse seat and fully opens the internal variable bypass to allow cold water flow.

Unit is completely assembled and tested with necessary fittings. All nipples and escutcheons are installed in a cabinet with clear view port for the thermometer. See below for cabinet specifications.

Maximum Inlet Pressure: 125 PSI.
Minimum Supply Pressure: 35 PSI.
Recommended Operating Pressure: 65 PSI.
Maximum Inlet Temperature: 180°F.
Recommended Inlet Temperature: 120°F-140°F.

VALVE FINISH
 Rough Bronze Chrome Plate
TEMP. RANGE **SET POINT**
 70° to 90°F 85°F

SPEAKMAN®
 SPEAKMAN COMPANY
 P.O. Box 191
 Wilmington, DE 19899

Phone : 800-537-2107 Fax: 800-977-2747
 WWW.SPEAKMANCOMPANY.COM

DIMENSIONS:

Cabinet Style	A	B	C	D
Recessed	23"	19"	5"	6 ³ / ₄ "
Surface Mounted	23"	19"	5"	6 ³ / ₄ "

General Purpose - Cabinet Specifications:

	STAINLESS	CARBON STEEL
Body:	18 Ga.	16 Ga.
Door:	18 Ga.	16 Ga.
Finish:	Type 304 with No. 4 Finish	Baked enamel painted

VALVE FINISH

Rough Bronze Chrome Plate

TYPE OF CABINET

Recessed
 Semi-Recessed
 Surface

MATERIAL

Stainless
 Carbon Steel

Cabinet includes lock with two keys.
 Hinged left side, piano type.

CAPACITIES - MODEL SE-364

Pressure Drop PSI	5	10	20	30	45
Tempered Flow	9	13	17	25	27
Cold Water Bypass	7	10	14	21	22

Lock set Mounting Bracket

Lock set includes lock for each ball valve.

Note: The mixing valve must be installed with inlet check valves and the Eyewash/Facewash fixture should be installed 4 to 10 feet from the mixing valve.