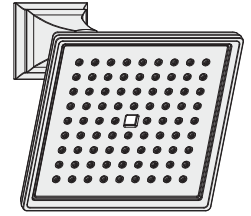


Location:

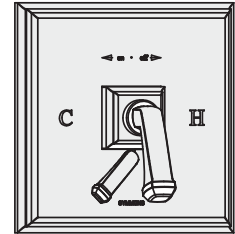
SYMMONS® Oxford™

Shower System S-4201 Specification Submittal



Feature Highlights

- Symmons shower system with lever handles.
- Symmons Temptrol® pressure balancing mixing valve with adjustable stop screw to limit handle turn.
- Secondary integral volume control handle
- Three mode shower head with arm and flange
- Stand flow rate is 2.5 gpm (9.5 L/min)
- Polished chrome finish



Model Numbers

- S-4201..... Shower System with Symmons Temptrol® pressure balancing mixing valve, p/n S-4001-BODY
- S-4201-TRM..... Trim only, valve must be ordered separately
- S-4001-BODY..... Symmons Temptrol® pressure balancing mixing valve without trim
- S-4001-X-BODY...Symmons Temptrol® pressure balancing mixing valve without trim. Valve includes integral service stops to allow water shut-off for service.

Options / Modifications

Append appropriate -suffix to model number.

- IPS 1/2 inch female IPS connections on Symmons Temptrol® mixing valve
- X Symmons Temptrol® pressure balancing mixing valve includes integral service stops to allow water shut-off for service, p/n S-4001-X-BODY. (Option only applies when ordering model S-4201.)
- 2.0 2.0 (7.6 L/min) Flow rate restrictor
- 1.5 1.5 (5.7 L/min) Flow rate restrictor

Finish Options / Modifications

Append appropriate -suffix to model number.

- STN Satin nickel
- ORB Oil Rubbed Bronze
 - Polished chrome (standard finish)

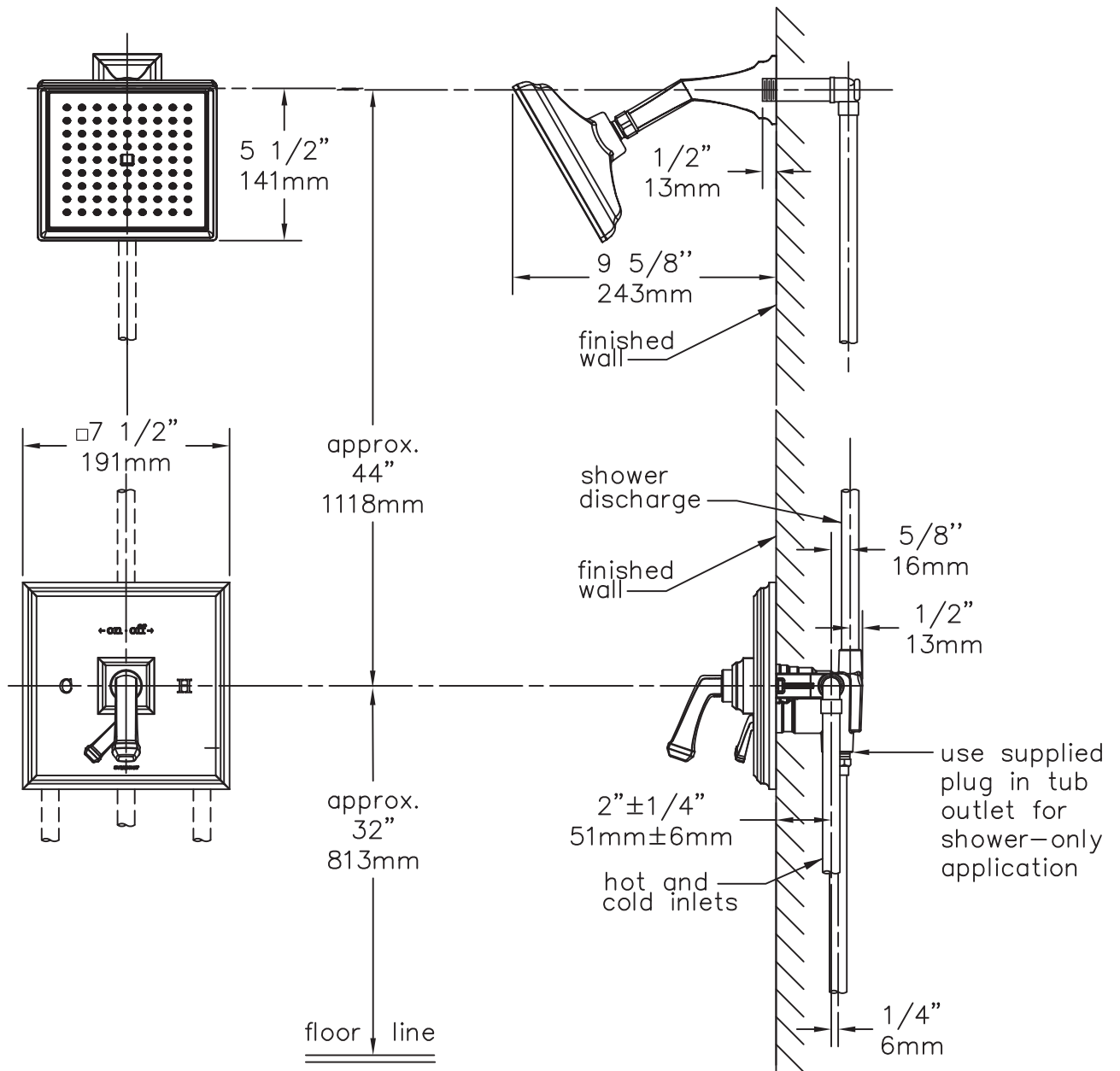
Warranty

- Limited Lifetime - to the original end purchaser in consumer installations.
- 5 years - for commercial installations

Standards / Certifications

ASME A112.18.1-2005/CSA B125.1-05

Dimensions *Oxford Shower System, S-4201*



Note: *Dimensions subject to change without notice.*