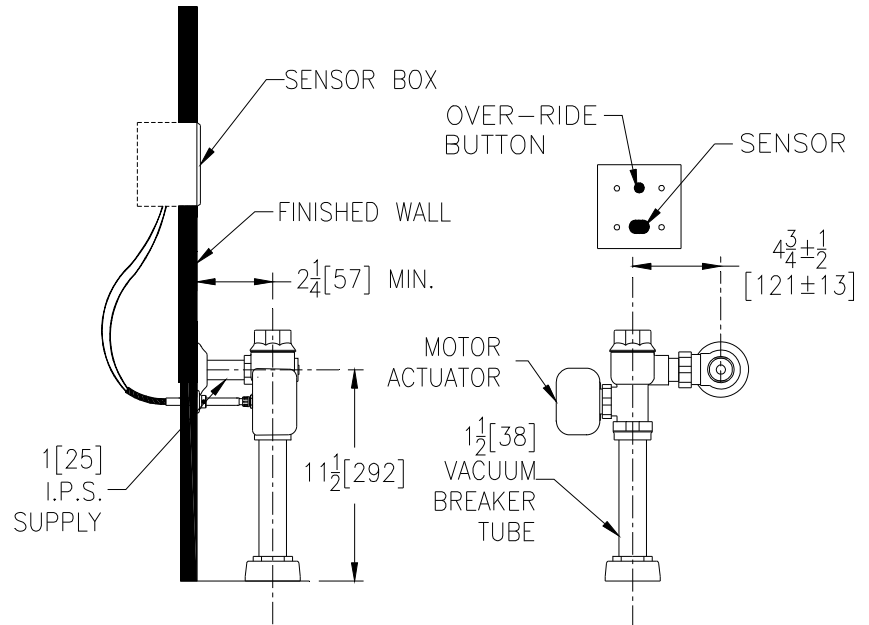




# Exposed ZEMS6200 Metroflush Model Hardwired Automatic Sensor Flush Valve For Water Closets



**Flow Options**

- WS1** 1.6 Gal. Low Consumption Flush
- Standard Flush** 3.5 Gallons Per Flush

**Suffix Options (Check/Specify Appropriate Options)**

- \_\_\_\_\_ **-VC** Vandal Resistant Stop Cover
- \_\_\_\_\_ **-XYV** Less Vacuum Breaker
- \_\_\_\_\_ **-YB** Sweat Solder Kit
- \_\_\_\_\_ **-YC** Cast Wall Flange
- \_\_\_\_\_ **-YJ** Split Ring Pipe Support
- \_\_\_\_\_ **-YK** Solid Ring Pipe Support
- \_\_\_\_\_ **-YO** Bumper On Angle Stop
- \_\_\_\_\_ Other

**Accessories (Order separate as specified)**

- P6000-PC6** Plug-in Power Converter (Up to 8 valves)
- P6000-MJ** Mini Junction Box
- P6000-HW6** Hardwire Power Converter (Up to 8 valves)

**NOTE: MUST USE EITHER ZURN P6000-HW6 HARDWIRE POWER CONVERTER OR ZURN P6000-PC6 PLUG-IN POWER CONVERTER TO ENSURE PROPER OPERATION. USING A POWER CONVERTER OTHER THAN ZURN MAY RESULT IN OPERATION MALFUNCTION OR UNIT FAILURE.**

**ENGINEERING SPECIFICATION: ZURN ZEMS6200**

**AquaSense® Exposed Sensor Operated Metroflush Valve For Water Closets-** Exposed, quiet piston type chrome plated flushometer valve with polished exterior. Complete with Zurn MetroVantage chloramine resistant piston with a clog resistant filtered by-pass, high back pressure vacuum breaker, hex coupling nut, adjustable tailpiece, spud coupling and flange for top spud connection. The valve is ADA compliant with a 6VDC motor actuator, an automatic sensor with manual push button override and chrome plated metal cover plate. Electrical box for sensor is not provided (see installation instructions for type and size). Control stop has internal siphon-guard protection. Internal seals are made of chloramine resistant materials. Note: Order power converter separate.

This space is for Architectural/engineering Approval

The information contained in this document is subject to change without notice. Please contact Zurn for most up to date information.

ZURN INDUSTRIES, LLC. ♦ COMMERCIAL BRASS OPERATION ♦ 5900 ELWIN BUCHANAN DRIVE ♦ SANFORD NC 27330

Phone: 1-800-997-3876 ♦ Fax: 919-775-3541 ♦ World Wide Web: www.zurn.com

In Canada: ZURN INDUSTRIES LIMITED ♦ 3544 Nashua Drive ♦ Mississauga, Ontario L4V1L2 ♦ Phone: 905-405-8272 Fax: 905-405-1292