



T&S BRASS AND BRONZE WORKS, INC.

2 Saddleback Cove / P.O. Box 1088
Travelers Rest, SC 29690



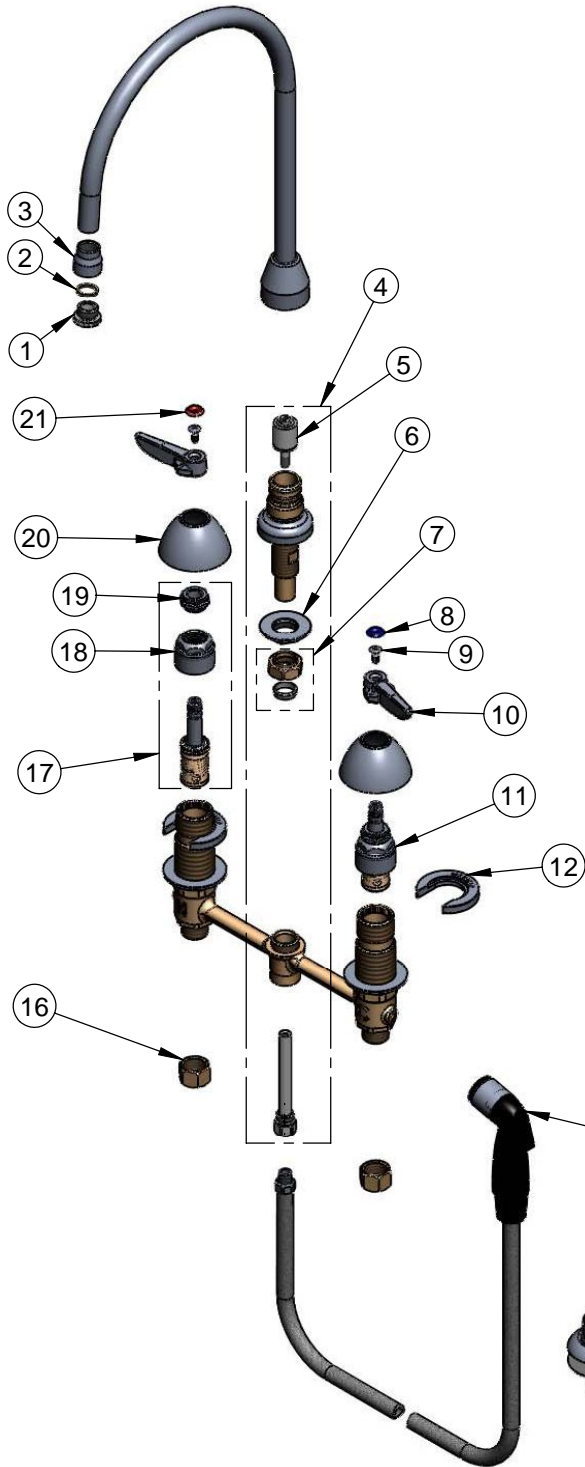
REG. #A2601
ISO #9001

Model No.

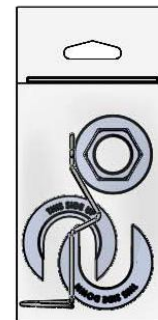
B-2347-04

Item No.

Travelers Rest, SC: 800-476-4103 Simi Valley, CA: 800-423-0150 Fax: 864-834-3518 www.tsbrass.com



ITEM NO.	SALES NO.	DESCRIPTION
1	B-LT	Stream Regulator Outlet
2	009636-45	Washer
3	000557-25	Bell Adapter
4	017208-40	Center Body Diverter Asy
5	002338-45	Diverter
6	016742-45	Center Flange nut
7	016745-45	Compression Nut & Fitting
8	001660-45	Blue Index-CW
9	000922-45	Lever Handle Screw
10	001638-45	Lever Handle
11	016752-40	EasyInstall CWS LTC Eterna (Telfon)
12	016749-45	C-Washer
13	016777-45	CWS Hanger
14	001495-45	Side Spray
15	001496-45	Hose Guide
16	000958-20	Coupling Nut
17	016753-40	EasyInstall CWS RTC Eterna (Teflon)
18	016743-25	CWS Bonnet Assembly
19	009002-25	Packing Assembly
20	001257-40	Bell Escutcheon
21	001661-45	Red Index-HW



017245-40
Installation Repair Kit
Includes #6, (2)#12 & #13

Product Specifications:

EasyInstall Faucet w/ 4' Sidespray, Lever Handles, Compression Cartridges, 8" Inlet Centers & Gooseneck w/ Stream Regulator Outlet

Drawn JRM	Checked GEF	Approved JHB
Scale: NTS		Date: 09/11/08