



a Geberit company

2100 South Clearwater Drive
Des Plaines, IL 60018
Phone: 847-803-5000
Fax: 847-803-5454
www.chicagofaucets.com

ROUGH-IN

FITTING NO.

981-VR909AGVCP

BY: JAR

DATE: 11-01-07

SUBMITTED MODEL NO.

CHK: *JAR*

REV:

FOR TECHNICAL ASSISTANCE
1-800-TEC-TRUE (1-800-832-8783)

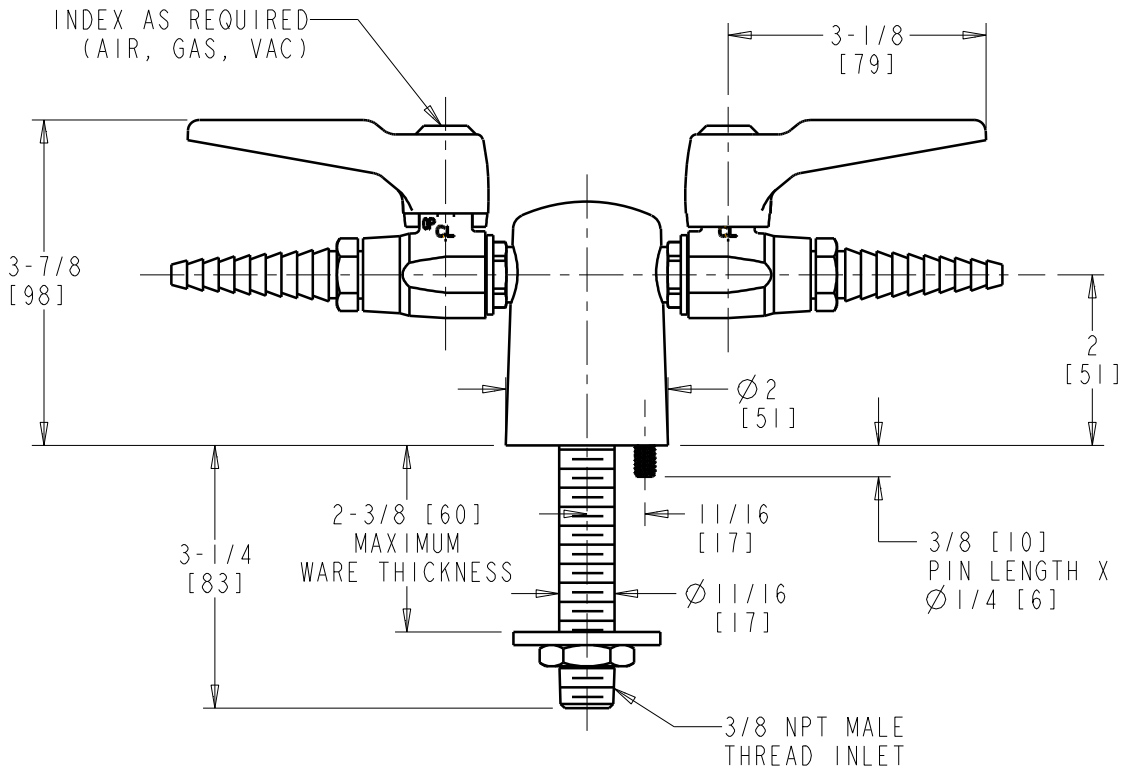
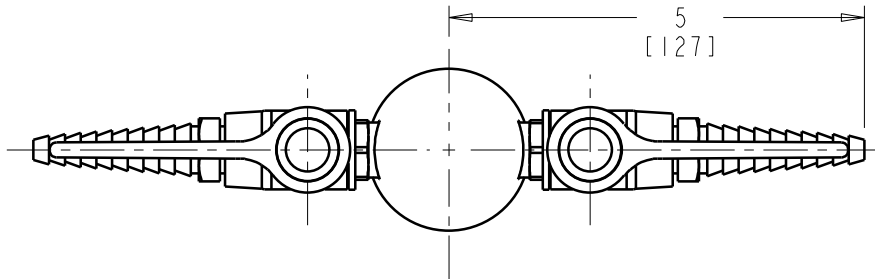
SUBMITTED AS SHOWN

SUBMITTED AS NOTED

SEE ATTACHED FOR
SUBMITTED MODIFICATION

JOB NAME

ITEM NO.



INDEX AS REQUIRED
(AIR, GAS, VAC)

DIMENSIONS ARE IN INCHES AND [MILLIMETERS].

TECHNICAL DATA

- VANDAL RESISTANT TURRET WITH TWO BALL VALVES AT 180°
- E7T SERRATED HOSE NOZZLE
- AIR, GAS AND VACUUM INDEX BUTTONS INCLUDED
- 957-003K INLET SHANK ASSEMBLY
- FINISH: CHROME PLATE

- 0.5-125 PSI MAXIMUM OPERATING PRESSURE
- ANSI Z21.15/CGA 9.1 COMPLIANT



ADA COMPLIANT

ROUGHING IN DIMENSIONS MAY VARY AND ARE SUBJECT TO CHANGE. NO RESPONSIBILITY IS ASSUMED FOR USE OF SUPERCEDED OR VOIDED DATA.