

# ULTRA-SENSE<sup>®</sup>

## Sensor Activated Lavatory Faucet

- S-6080-AC-G: With grid strainer drain assembly
- S-6080-AC: Faucet only

**Ultra-Sense** sensor-activated lavatory faucet with infrared Position Sensitive Detection (PSD) system. Faucet features 4" center deck plate and temperature limit stop to adjust outlet temperature, 1.5 gpm (5.7 L/min) low profile, vandal-resistant aerator. 10 second factory-set cycle time with automatic shut-off feature, plug-in power supply (120 VAC/6VDC, Class II, UL Listed for US/C) with 72" (1829mm) output cord, in-line check/strainers. Electronic components are sealed and housed above deck in a cast brass body for maximum vandal resistance.

**Note: Use only Symmons supplied plug-in power supply with this faucet. Use of non-Symmons power supply will void warranty.**

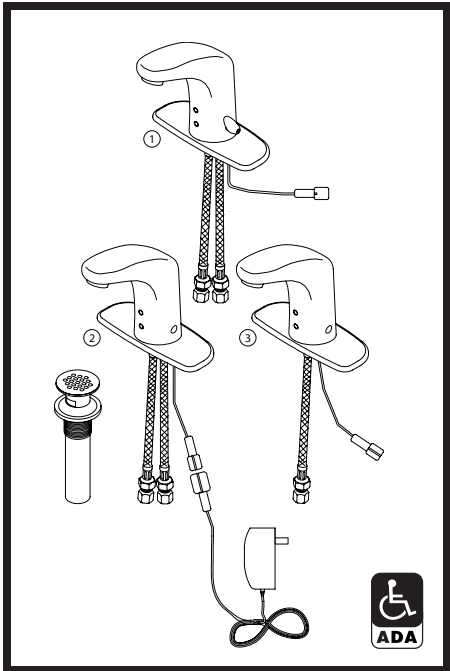
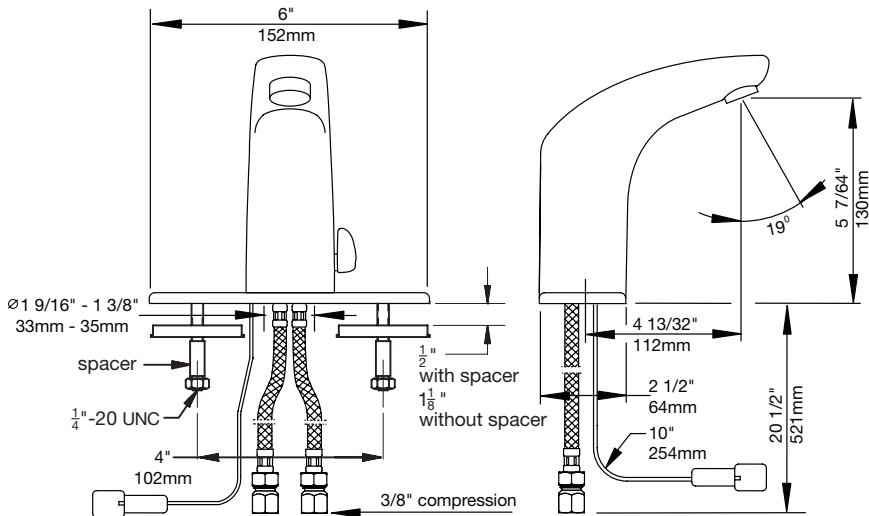
**Faucet can be installed in one of three possible supply configurations:**

- ① Hot and cold supply with lever handle temperature adjustment (factory standard)
- ② Hot and cold supply with pre-set tempered water (field adjusted)
- ③ Single supply for cold or premixed tempered water (field adjusted)

### Modifications:

#### Add:

- Suffix DP: 8" adapter plate
- Suffix FR: 0.5 gpm flow restrictor
- Suffix NA: Non-aerated laminar flow spray outlet
- Suffix OFG: Offset grid strainer drain assembly in place of standard grid drain
- Suffix SM: Single hole mounting
- Suffix LST: 18" copper supply tubes in lieu of flexible hoses



**SYMMONS PRODUCTS MEET  
ANSI A112.18.1M, EPA '92  
AND ALL KNOWN FLOW RATE  
REQUIREMENTS.  
Metering Faucets  
0.25 gallons per cycle (1.0 L/cycle)**

### Job/Location

.....  
 .....

### Engineer

.....  
 .....

### Contractor

.....  
 .....

For ADA compliance (Americans with Disabilities Act) consult ADAAG or your state regulations for proper product choice and mounting locations.

Symmons Industries, Inc. ■ 31 Brooks Drive ■ Braintree, MA 02184  
 (800) 796-6667, (781) 848-2250 ■ Fax (800) 961-9621, (781) 843-3849  
 Website: [www.symmons.com](http://www.symmons.com) ■ Email: [customerservice@symmons.com](mailto:customerservice@symmons.com)

