



AquaSense®

TAG _____

AquaSense Back Mount Sensor Faucet



Suffix Options (Check/Specify Appropriate Options)

- _____ -F 0.5 GPM Vandal Resistant Aerator
- _____ -GA 3-1/2" Gooseneck Spout
- _____ -GC 8" Gooseneck Spout
- _____ -IA3 Inlet Adaptor (3/8"[10] compression)
- _____ -J 1.5 GPM Laminar Flow Control
- _____ -K 1.0 GPM Laminar Flow Control
- _____ -L 1.0 GPM Vandal Resistant Aerator
- _____ -MJ Mini Junction Box
- _____ -MT Mixing Tee
- _____ -MV Temperature Mixing Valve
- _____ -SH Supply Hoses for Mixing Valve
- _____ -SO Rosette Spray Aerator
- _____ -TMV Thermostatic Mixing Valve for Multiple Faucets
- _____ -TMV-1 Thermostatic Mixing Valve for Single Faucets
- _____ Other

Z6922 AquaSense Back Mount Battery Powered Faucet

ENGINEERING SPECIFICATION: The Z6922 Back Mount sensor faucet is a battery powered sensor faucet for retrofit and new construction. The faucet incorporates an infrared convergence type proximity sensor into the base of the gooseneck faucet. The faucet is furnished complete with sensor module, spout module, in-line filter, 4 "AA" batteries, a 1.5 GPM vandal resistant aerator, an inlet for a 1/2"[13] ball riser, and single supply hose. Sensor range is factory set for optimum performance.

Z6922-ACA AquaSense Back Mount Plug-In Powered Faucet

ENGINEERING SPECIFICATION: The Z6922-ACA Back Mount sensor faucet is a plug-in powered electronic sensor faucet for retrofit and new construction. The faucet incorporates an infrared convergence type proximity sensor into the base of the gooseneck faucet. The faucet is furnished complete with sensor module, spout module, in-line filter, a 1.5 GPM vandal resistant aerator, 6 VDC plug-in power converter, an inlet for a 1/2"[13] ball riser, and single supply hose. Also included are 4 'AA' batteries that provide battery backup power to the faucet during power outages. Sensor range is factory set for optimum performance.

Z6922-CWB AquaSense Back Mount Hardwire Powered Faucet

ENGINEERING SPECIFICATION: The Z6922-CWB Back Mount sensor faucet is a hardwired electronic sensor faucet for retrofit and new construction. The faucet incorporates an infrared convergence type proximity sensor into the base of the gooseneck faucet. The faucet is furnished complete with sensor module, spout module, in-line filter, a 1.5 GPM vandal resistant aerator, connecting wire to power converter, an inlet for a 1/2"[13] ball riser, and single supply hose. Also included are 4 'AA' batteries that provide battery backup power to the faucet during power outages. Sensor range is factory set for optimum performance.

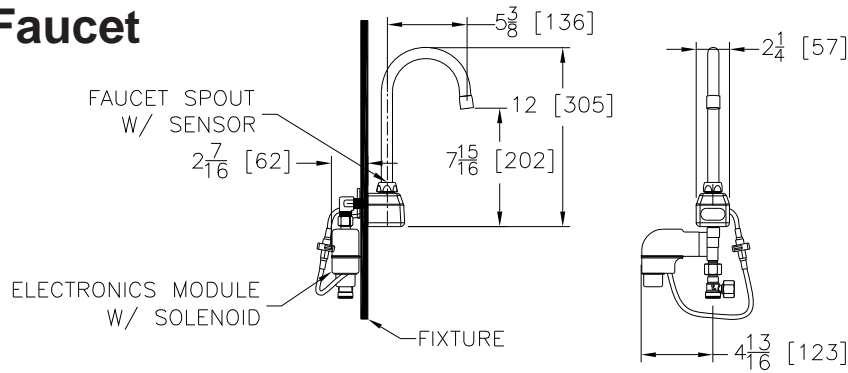
NOTE: For Hardwire applications furnish P6000-HW6 power converter. The P6000-HW6 will power up to 8 sensor faucets. Order P6000-HW6 power converter separately.

ZURN INDUSTRIES, LLC. ♦ COMMERCIAL BRASS OPERATION ♦ 5900 ELWIN BUCHANAN DRIVE ♦ SANFORD NC 27330

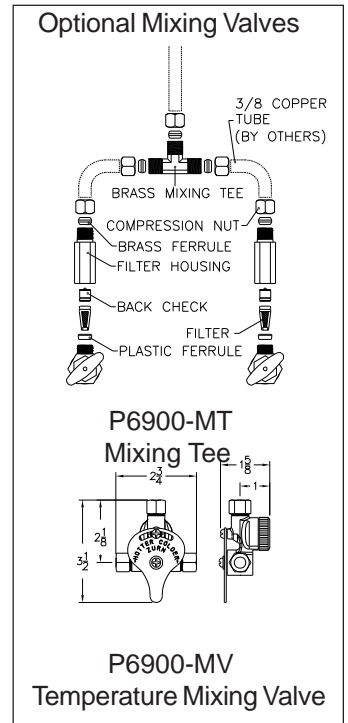
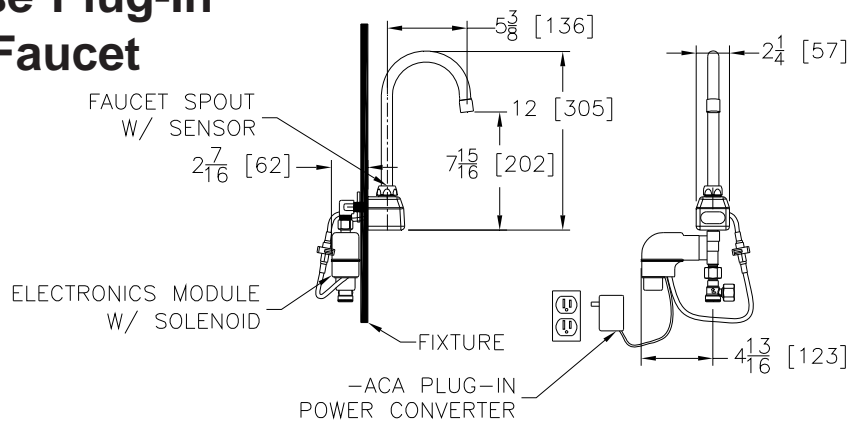
Phone: 1-800-997-3876 ♦ Fax: 919-775-3541 ♦ World Wide Web: www.zurn.com

In Canada: ZURN INDUSTRIES LIMITED ♦ 3544 Nashua Drive ♦ Mississauga, Ontario L4V1L2 ♦ Phone: 905-405-8272 Fax: 905-405-1292

TYPICAL Z6922 AquaSense Battery Powered Faucet

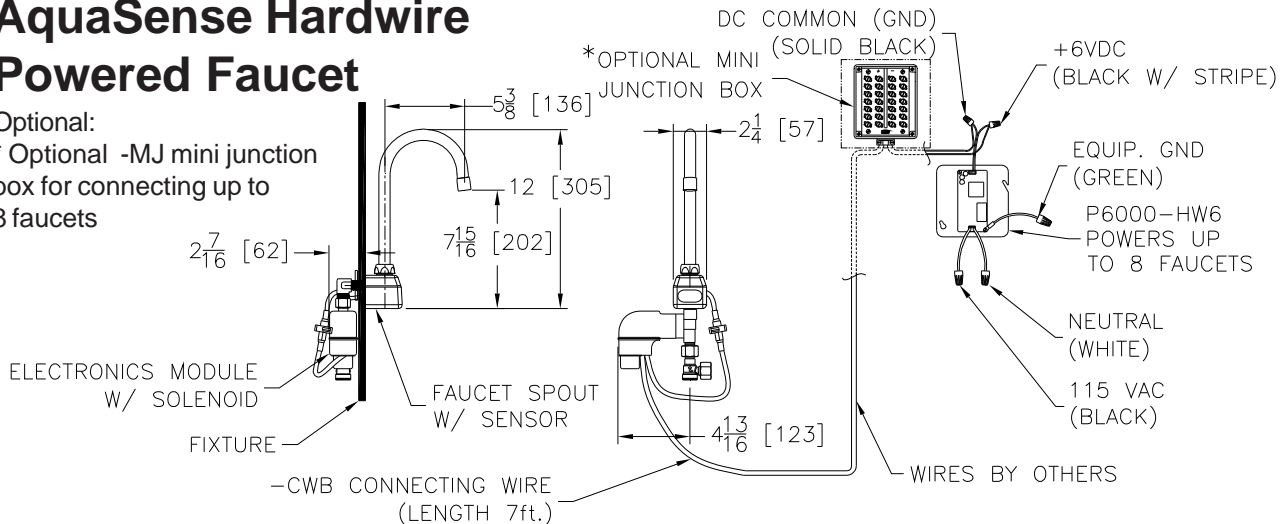


TYPICAL Z6922-ACA AquaSense Plug-In Powered Faucet



TYPICAL Z6922-CWB AquaSense Hardwire Powered Faucet

Optional:
* Optional -MJ mini junction box for connecting up to 8 faucets



NOTE: MUST USE EITHER ZURN P6000-HW6 HARDWIRE POWER CONVERTER OR ZURN P6000-PC6 PLUG-IN POWER CONVERTER TO ENSURE PROPER OPERATION. USING A POWER CONVERTER OTHER THAN ZURN MAY RESULT IN OPERATION MALFUNCTION OR UNIT FAILURE.

ZURN INDUSTRIES, LLC. ♦ COMMERCIAL BRASS OPERATION ♦ 5900 ELWIN BUCHANAN DRIVE ♦ SANFORD NC 27330
Phone: 1-800-997-3876 ♦ Fax: 919-775-3541 ♦ World Wide Web: www.zurn.com
In Canada: ZURN INDUSTRIES LIMITED ♦ 3544 Nashua Drive ♦ Mississauga, Ontario L4V1L2 ♦ Phone: 905-405-8272 Fax: 905-405-1292