



T&S BRASS AND BRONZE WORKS, INC.
 2 SADDLEBACK COVE / P.O. BOX 1088 / TRAVELERS REST, SC 29690
 PHONE 800-476-4103 - FAX 864- 834-3518



Sales No.

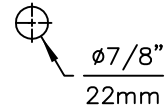
EW-7612LH

**RELIABILITY
 BUILT IN**

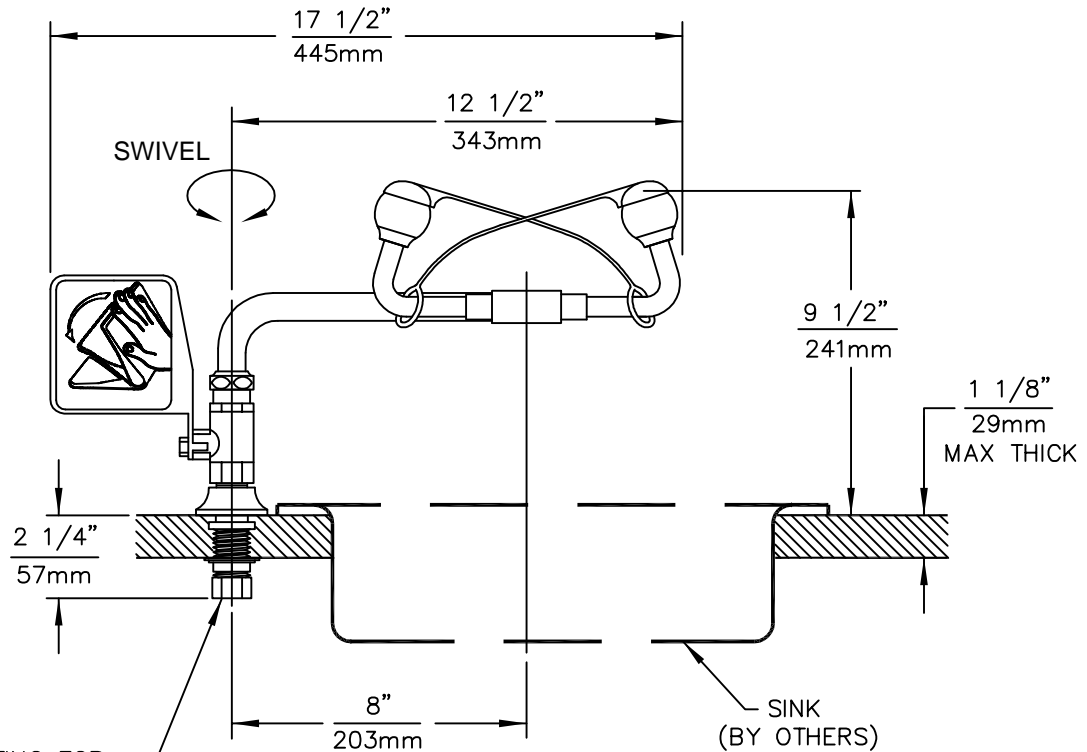
Job Name:

Architect/Engineer Approval:

Notes:



**MOUNTING HOLE
 DETAIL**



COMPRESSION FITTING FOR
 1/2" OD COPPER TUBING

NOTES:

1. THE ANSI STANDARD Z358.1 SPECIFIES EYEWASH NOZZLE HEIGHTS TO BE 33" [838mm] TO 45" [1143mm] ABOVE THE FLOOR. CENTERLINE OF EYEWASH HEADS MUST BE 6" [152mm] MIN. AWAY FROM WALL.
2. DIMENSIONS MAY VARY $\pm 1/2"$ [13mm].

Product Description:

EYEWASH, DECK MOUNTED
 POLISH CHROME

Drawn:

ARH

Checked

GEF

Scale:

1 : 6

Approved

JHB

Date:

12/14/07