



a Geberit company

2100 South Clearwater Drive  
Des Plaines, IL 60018  
Phone: 847-803-5000  
Fax: 847-803-5454  
www.chicagofaucets.com

# ROUGH-IN

FITTING NO.

940-VBE7WSLCP

BY: SID

DATE: 11-01-07

SUBMITTED MODEL NO.

CHK: *[Signature]*

REV:

**FOR TECHNICAL ASSISTANCE**  
1-800-TEC-TRUE (1-800-832-8783)

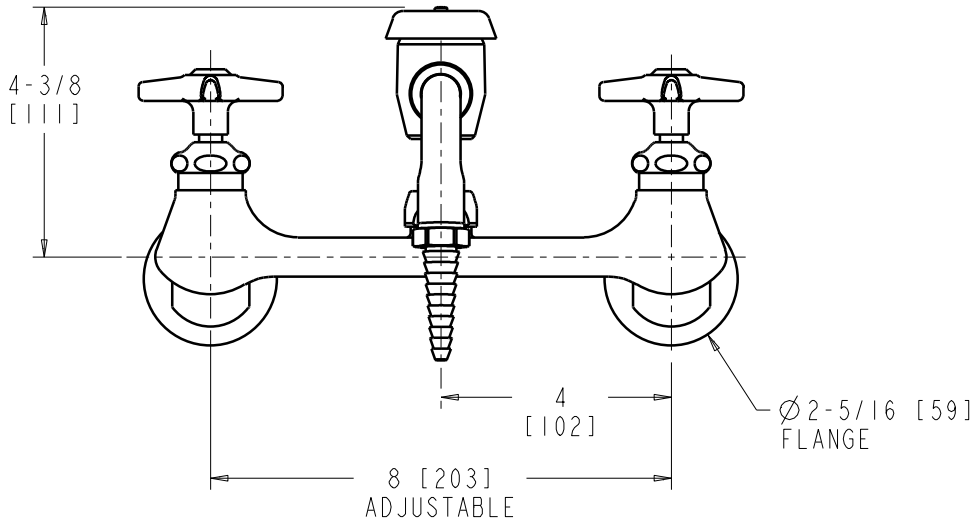
SUBMITTED AS SHOWN

SUBMITTED AS NOTED

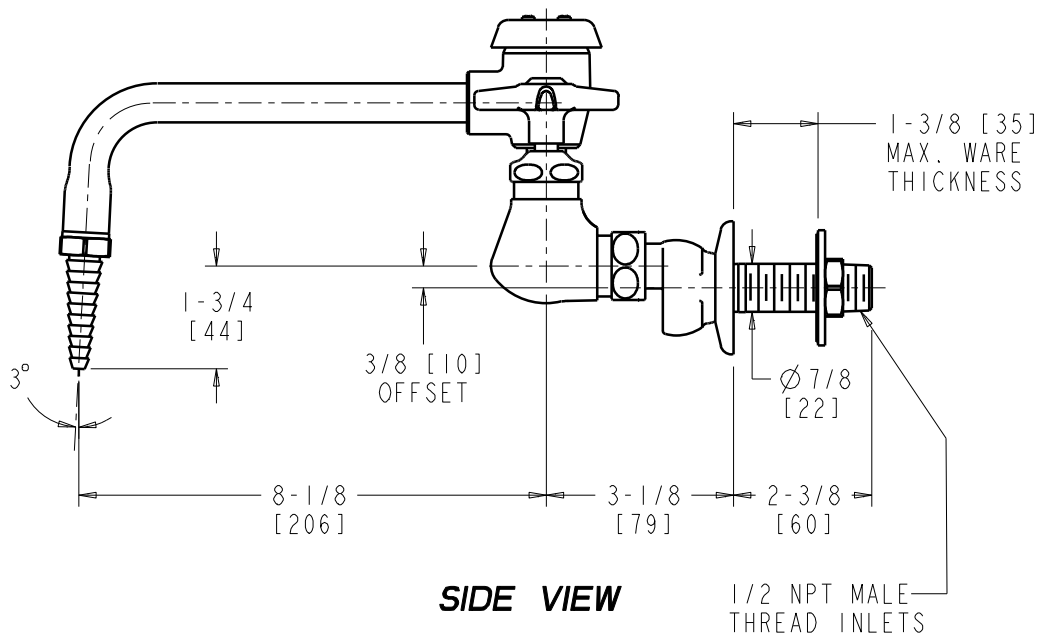
SEE ATTACHED FOR  
SUBMITTED MODIFICATION

JOB NAME

ITEM NO.



**FRONT VIEW**



**SIDE VIEW**

DIMENSIONS ARE IN INCHES AND [MILLIMETERS].

**TECHNICAL DATA**

- WALL MOUNTED LABORATORY FITTING
- L8BVB SWING VACUUM BREAKER SPOUT
- 204 INDEXED 4-ARM HANDLES
- SLO-COMPRESSION OPERATING CARTRIDGES
- 'G' ADJUSTABLE SUPPLY ARMS
- 932-001K INLET SHANK ASSEMBLIES
- FINISH: CHROME PLATE
- E7 REMOVABLE SERRATED NOZZLE OUTLET
- ASME A112.18.1/CSA B125.1 COMPLIANT
- ASSE 1001 COMPLIANT

ROUGHING IN DIMENSIONS MAY VARY AND ARE SUBJECT TO CHANGE. NO RESPONSIBILITY IS ASSUMED FOR USE OF SUPERCEDED OR VOIDED DATA.