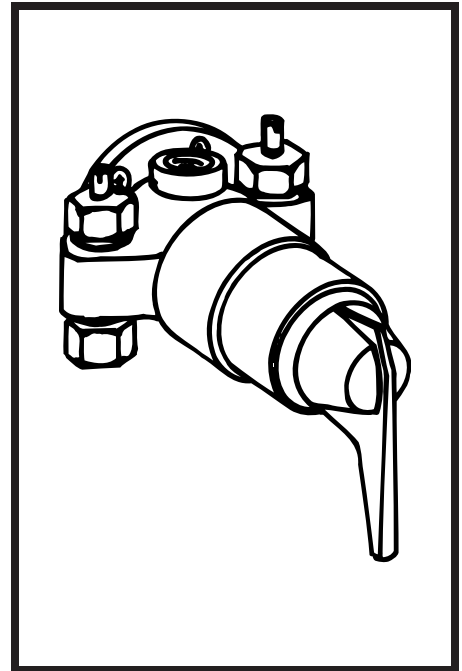


4-521 Safetymix® Shower Valve

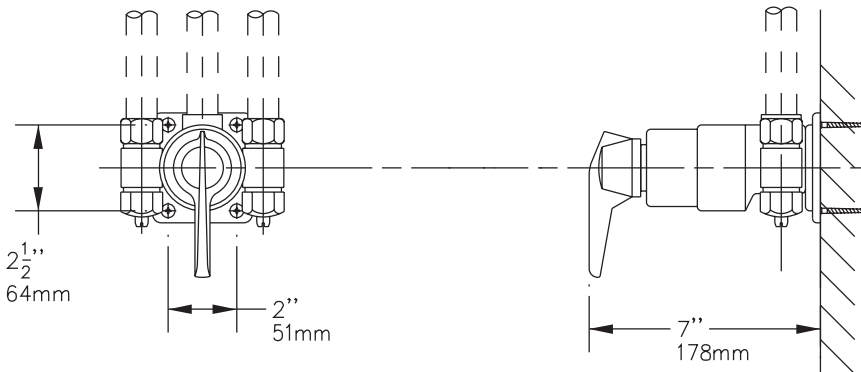
Safetymix Exposed Pressure-Balancing mixing valve with lever handle and adjustable stop screw to limit handle turn. Wall flange and integral unions.

Modifications:

- Suffix X:** Integral service stops—allows water shut-off at valve for service
- Suffix CX:** Integral check stops
- Suffix W:** Heavy duty wall flange
- Suffix WA:** Heavy duty wall flange with anchor plate



**SYMMONS PRODUCTS MEET
ANSI A112.18.1M, EPA '92
AND ALL KNOWN FLOW RATE
REQUIREMENTS.
Shower Heads and Hand Showers
2.5 GPM (9.5 L/min)**



Job/Location

.....
.....

Engineer

.....
.....

Contractor

.....
.....

This drawing to be used for rough-in installation only. All floor to center dimensions optional. Concealed piping and fittings not furnished by manufacturer. For ADA compliance (Americans with Disabilities Act) consult ADAAG or your state regulations for proper product choice and mounting locations. For complete installation, adjustment and service information see installation instructions.

Symmons Industries, Inc. ■ 31 Brooks Drive ■ Braintree, MA 02184
(800) 796-6667, (781) 848-2250 ■ Fax (800) 961-9621, (781) 843-3849
Website: www.symmons.com ■ Email: customerservice@symmons.com

©2003, 2008 Symmons Industries, Inc. Printed in U.S.A. ■ 050108

