

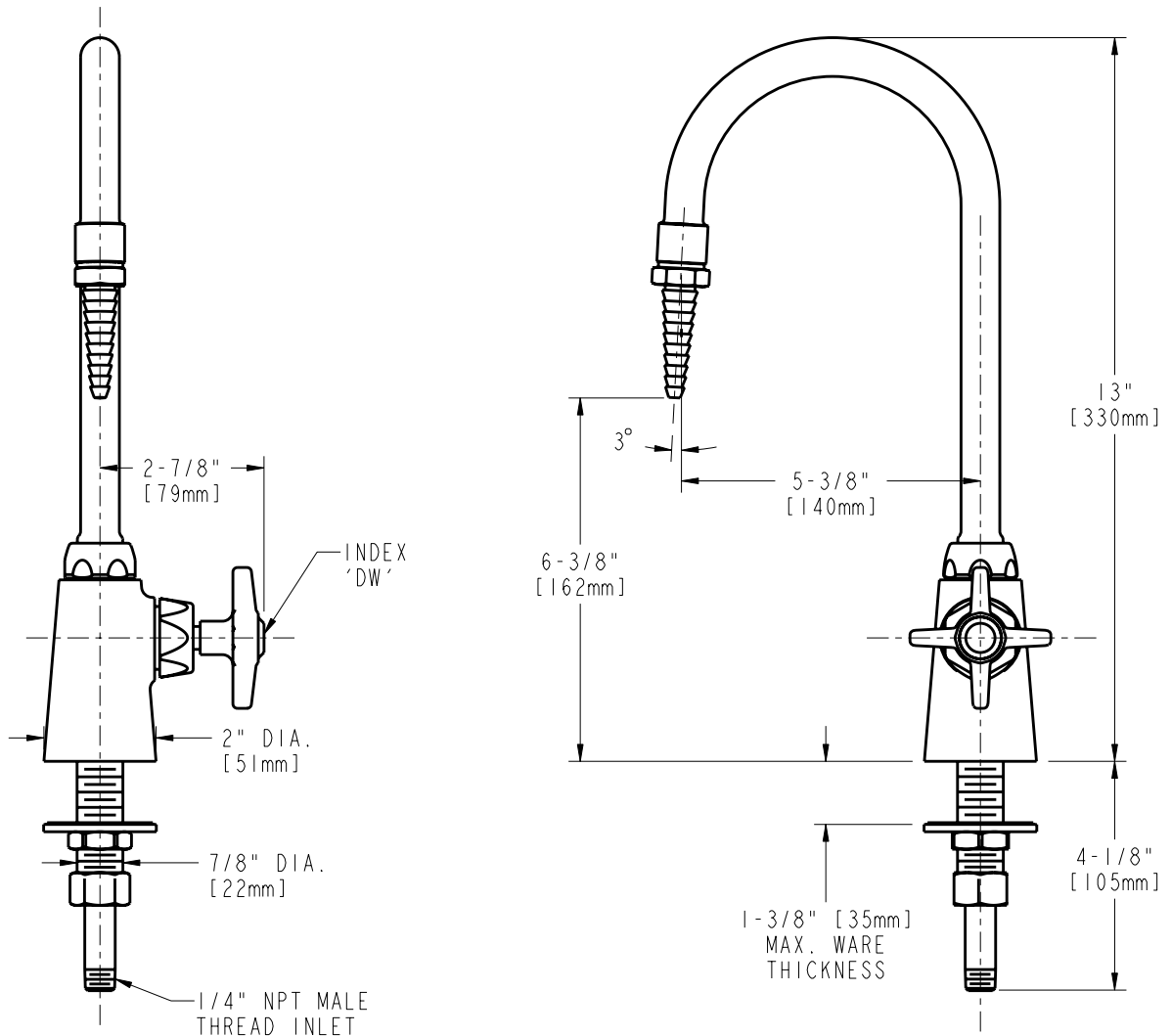
JOB NAME

ITEM NO.

SUBMITTED AS SHOWN

SUBMITTED AS NOTED

SEE ATTACHED FOR  
SUBMITTED MODIFICATION



TECHNICAL DATA

- DECK MOUNTED TIN LINED DISTILLED WATER FITTING
- GN2B RIGID/SWING GOOSENECK SPOUT WITH TIN LINING
- E7 REMOVABLE SERRATED TIN LINED HOSE NOZZLE
- 204 INDEXED 4-ARM HANDLE WITH "DW" INDEX BUTTON
- TIN LINED MANUAL CLOSING CARTRIDGE
- FINISH: CHROME TIN FINISH (CTF)

- ANSI A112.18.1M COMPLIANT
- CSA B125 COMPLIANT

DATE: 5-22-02

BY: JAR

CHK'D:

APP'D:

REV: 7-14-06

969-217XLH

ROUGHING IN DIMENSIONS MAY VARY AND ARE SUBJECT TO CHANGE. NO RESPONSIBILITY IS ASSUMED FOR USE OF SUPERCEDED OR VOIDED DATA.