

PARTS LISTING DRENCH HOSE UNITS

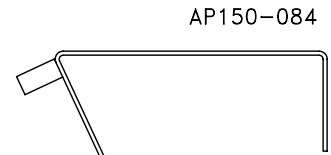
- (A) SQUEEZE VALVE
RK600-240 (REPAIR KIT FOR SQUEEZE VALVES)

- (B) HOSE ASSEMBLIES
 - HIGH PRESSURE REINFORCED PVC HOSE OR COILED NYLON HOSE
 - NOTE: CONTACT FACTORY WITH UNIT MODEL NUMBER FOR CORRECT HOSE ASSEMBLY PART NUMBER

- (C) MOUNTING FITTINGS
 - AP150-084 (POWDER COATED STEEL WALL BRACKET W/SPRING CLIPS)
 - 150-062A (POWDER COATED STEEL WALL HOOK)
 - AP150-051C (POWDER COATED STEEL WALL BRACKET W/SPRING CLIPS)
 - AP350-011 (NYLON DECK FLANGE W/ LOCKNUT AND HANDLE GUIDE)

- (D) DUST COVER ASSEMBLIES
 - DUST COVER AND CAP ASSEMBLY
 - AP470-002R (FOR GS PLUS SPRAY HEADS)
 - AP470-022R (FOR FS PLUS SPRAY HEADS)
 - AP250-022R (FOR RUBBER BOUND HEADS)
 - STAINLESS STEEL DUST COVER
 - AP470-040 (FOR GS PLUS SPRAY HEADS)
 - AP470-045 (FOR FS PLUS SPRAY HEADS)

- (E) SPRAY HEAD ASSEMBLIES
 - PLASTIC BODY AND COVER W/POLYURETHANE FILTER
 - AP470-001 (GS PLUS SPRAY HEAD)
 - AP470-021 (FS PLUS SPRAY HEAD)



AP150-084

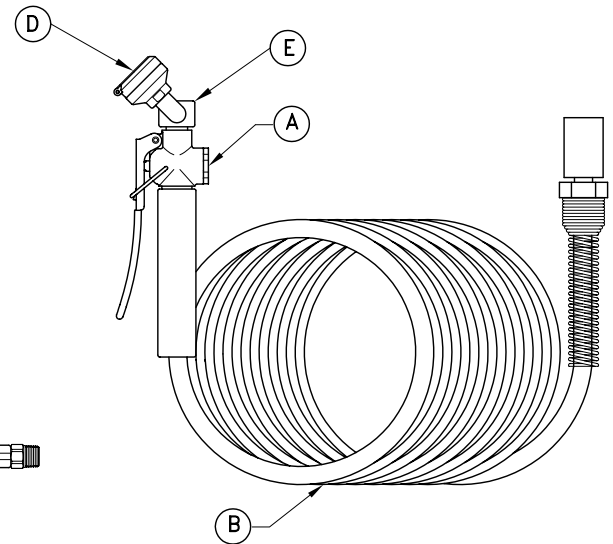
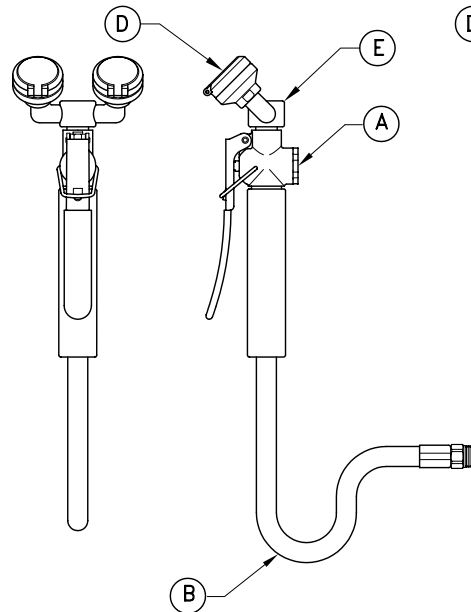
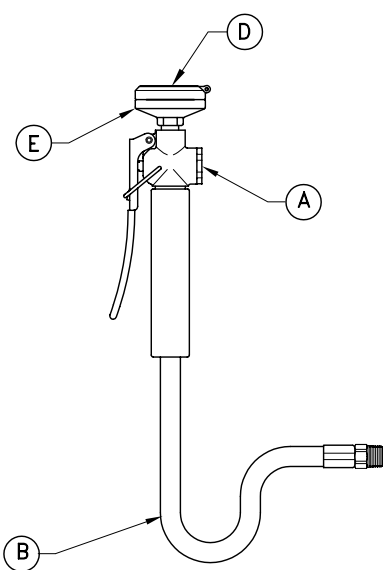
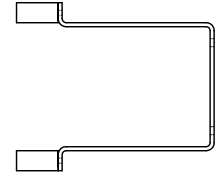
150-062A



AP350-011



AP150-051C



SINGLE FS PLUS SPRAY HEAD UNIT

DUAL GS PLUS SPRAY HEAD UNIT

UNITS (EXCEPT THOSE WITH SELF-CLOSING VALVES) COMPLY WITH THE REQUIREMENTS OF ANSI Z358.1.

TEST ALL EMERGENCY EQUIPMENT AT LEAST WEEKLY.

Drawing Number: PL-DH2

Approved: _____

Revision Number: 082908-JPP