

SENSOR-OPERATED WALL-MOUNT LIQUID SOAP DISPENSER



The SJS-1050 sensor-operated soap dispenser is the next evolution in dispenser technology. It uses a bag-type refill that simplifies replacement and reduces waste.

Its battery-driven sensor technology delivers a pre-measured amount of liquid soap per application – giving approximately 1000 uses per refill.

The sight glass indicates low soap level.

- Automatically delivers pre-measured soap per use
- Sensor-technology activates soap dispensing
- Hand-free operation promotes hygiene
- Attaches to any wall in minutes
- Replaceable batteries (4 C cell batteries)

Product Number: SJS-1050

Product Code: 7000002

Color: Chrome

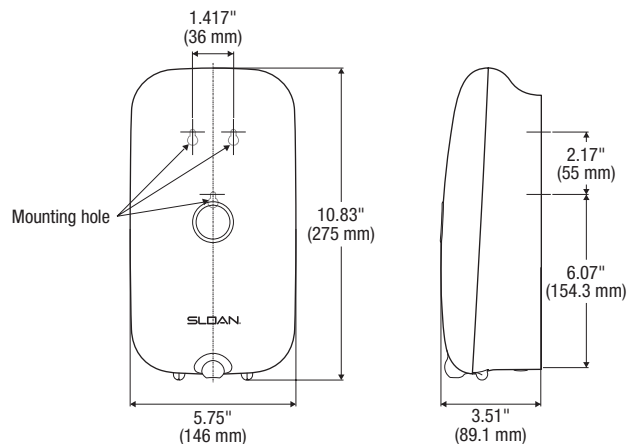
Size: W 5.75" x D 3.51" x H 10.83"
(W 146 mm x D 89.1 mm x H 275 mm)

Quantity/pack: 1

Quantity/case: 6

Refills:

Product No.	Description	Order No.
SJS-1051	Sensor Wall-Mount Liquid Soap	0700400
SJS-1051-1	Sensor Wall-Mount Liquid Soap with Moisturizers	0700401
SJS-1051-2	Sensor Wall-Mount Liquid Soap Antimicrobial	0700402



The information contained in this document is subject to change without notice.

SLOAN®

Sloan HEALTHMINDER™ Products and Service
10500 Seymour Avenue
Franklin Park, IL 60131-1259
Phone: 877-652-6726
Fax: 800-447-8329
www.sloanvalve.com