

## 387-CP

Inside Sill Fitting

### PRODUCT TYPE

Inside sill fitting

### FEATURES & SPECIFICATIONS

- Polished chrome plated finish
- Solid brass body construction
- 2 1/4" tee handle, catalog #293-6
- Slow compression renewable cartridge that closes with water pressure with tapered square broach to facilitate handle removal, catalog #217-XTLH
- 3/4" NPT female inlet
- 3/4" male garden hose thread outlet
- Loose wall flange

### PERFORMANCE SPECIFICATION

- Rated Operating Pressure: 20-125 PSI
- Rated Operating Temperature: 40-140° F

### WARRANTY

- Lifetime Limited Faucet Warranty
- 5-Year Limited Cartridge Warranty
- 1-Year Limited Finish Warranty

### COMPLIANT TO

- ASME A112.18.1M
- CSA B125

Job Name	_____
Item Number	_____
Section/Tag	_____
Model Specified	_____
Architect	_____
Engineer	_____
Contractor	_____
<input type="checkbox"/> Submitted as Shown	<input type="checkbox"/> Submitted with Variations
Date	_____

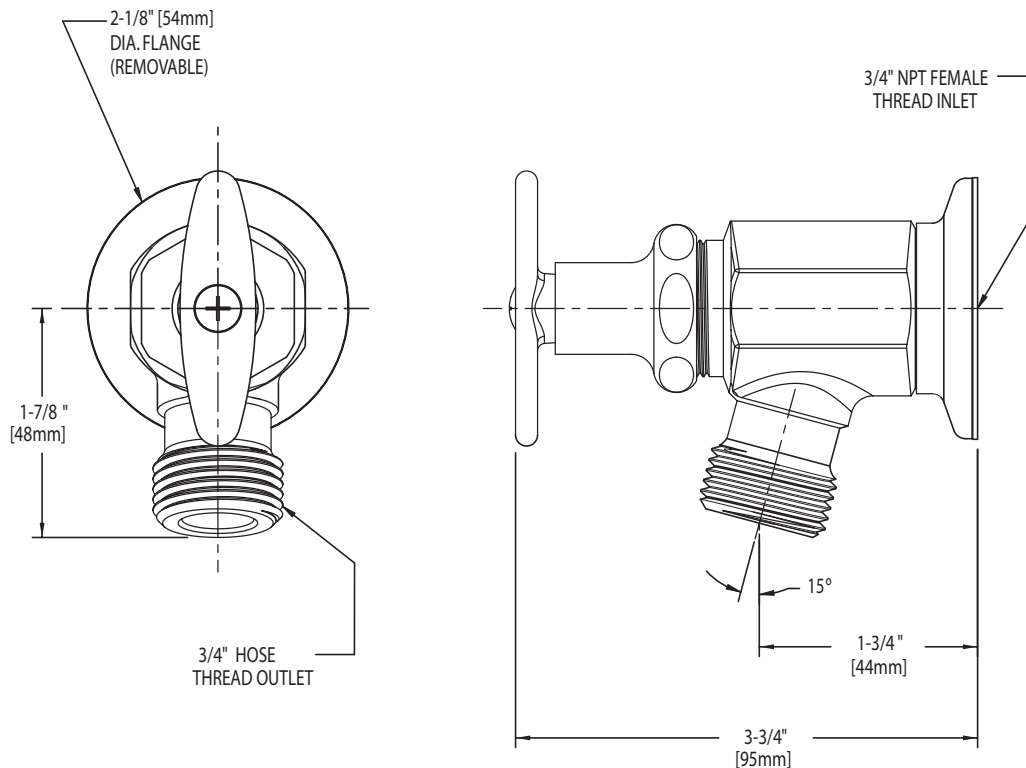


# 387-CP

Inside Sill Fitting

## ARCHITECT/ENGINEER SPECIFICATION

Chicago Faucets No. 387-CP, Rough chrome plated solid cast brass construction. 2 1/4" tee handle with tapered broach. Slow compression renewable cartridge designed to close with water pressure with square tapered broach feature to help facilitate handle removal. 3/4" NPT female inlet. 3/4" male garden hose outlet. This product is tested to ASME A112.18.1 and CSA B125 industry standards. Optional plug available for loose key tamper resistant applications.



## OPERATION AND MAINTENANCE

Installation should be in accordance with local plumbing codes. Flush all pipes thoroughly before installation. After installation, remove spout outlet or flow control and flush faucet thoroughly to clear any debris. Care should be taken when cleaning this product. Do not use abrasive cleaners, chemicals or solvents as they can result in surface damage. Use mild soap and warm water for cleaning and protecting the life of Chicago Faucet products. For specific operation and maintenance refer to the installation instructions and repair parts documents that are located at [www.chicagofaucets.com](http://www.chicagofaucets.com).

Chicago Faucets, member of the Geberit Group, is the leading brand of commercial faucets and fittings in the United States, offering a complete range of products for schools, laboratories, hospitals, office buildings, food service, airports and sport facilities. Call 1.800.TECTRUE or 1.847.803.5000 Option 1 for installation or other technical assistance.