

JOB NAME

ITEM NO.

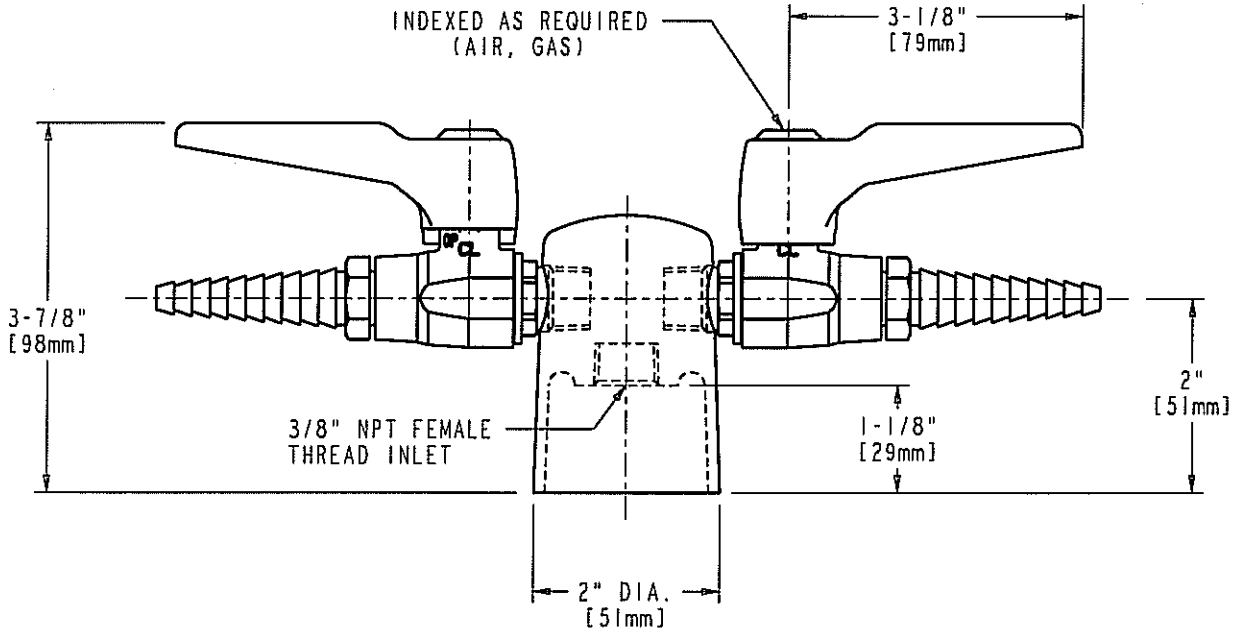
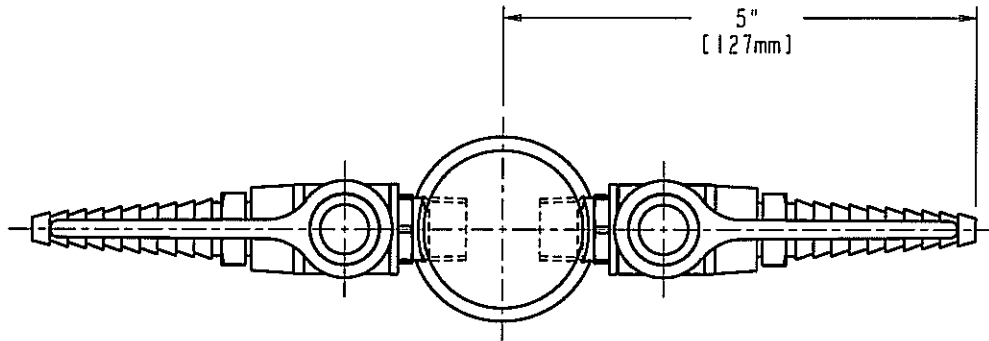
SUBMITTED AS SHOWN

SUBMITTED AS NOTED

SEE ATTACHED FOR
SUBMITTED MODIFICATION



ADA COMPLIANT



DIMENSIONS IN INCHES AND [MILLIMETERS].

TECHNICAL DATA

- TURRET WITH TWO BALL VALVES AT 180°
- E7TC REMOVABLE SERRATED HOSE NOZZLE WITH CHECK VALVE
- LEVER HANDLES WITH AIR OR GAS INDEX BUTTON
- 0.5-125 PSI MAXIMUM OPERATING PRESSURE
- FINISH: CHROME PLATE

- ANSI Z21.5A
- CGA 9.1M

DATE: 05-06-04

BY: SID

CHK'D:

APP'D: *AT*

REV: A

981-909CAG

ROUGHING IN DIMENSIONS MAY VARY AND ARE SUBJECT TO CHANGE. NO RESPONSIBILITY IS ASSUMED FOR USE OF SUPERCEDED OR VOIDED DATA.