

# CHICAGO<sup>®</sup> FAUCETS

2100 SOUTH CLEARWATER DRIVE  
DES PLAINES, ILLINOIS 60018-5999

FITTING NO.

**537**

SUBMITTED MODEL NO.

JOB NAME

ITEM NO.

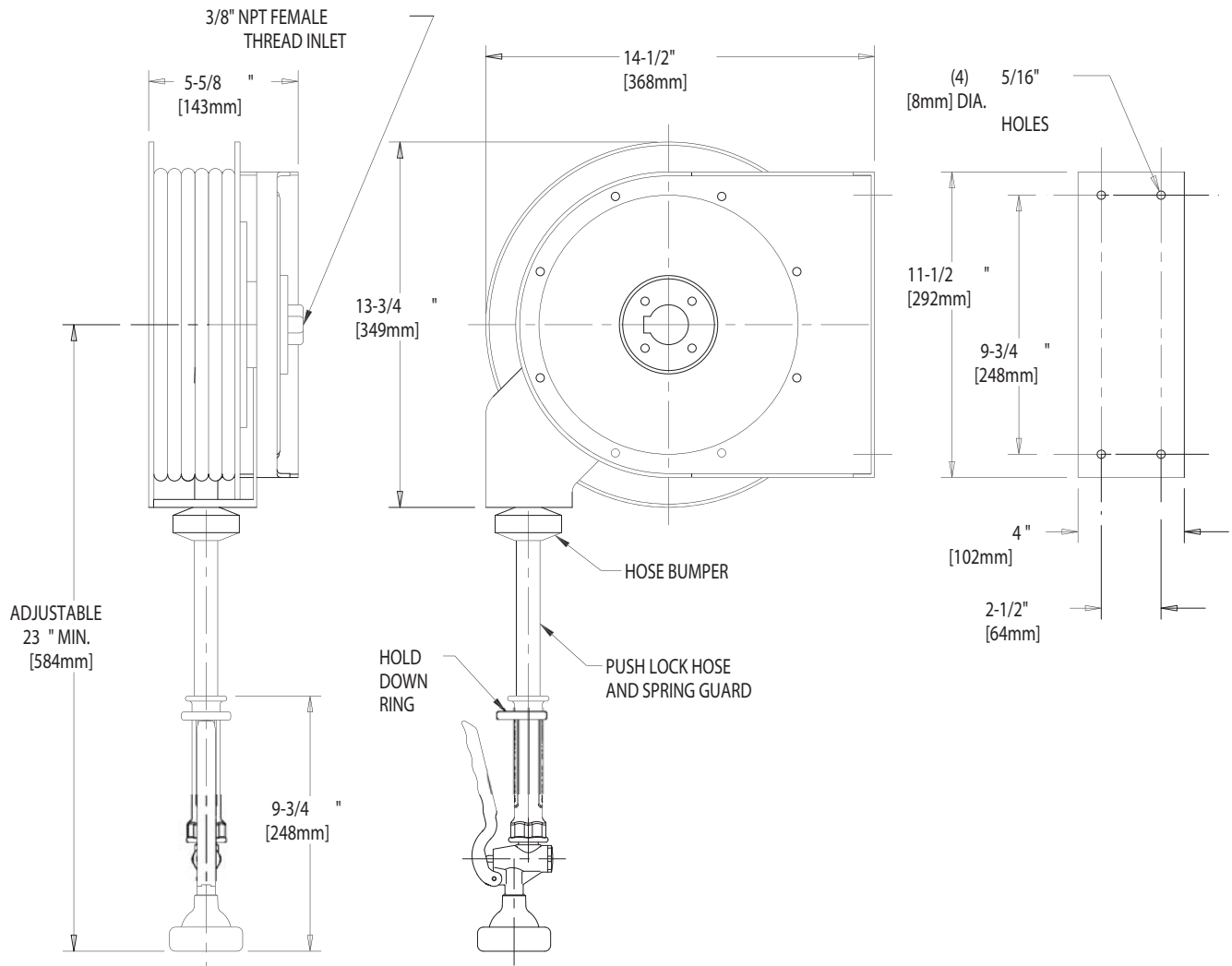
SUBMITTED AS SHOWN

SUBMITTED AS NOTED

SEE ATTACHED FOR  
SUBMITTED MODIFICATION

IS ASSUMED FOR USE OF SUPERCEDED OR VOIDED DATA. (0192-1)

ROUGHING IN DIMENSIONS MAY VARY AND ARE SUBJECT TO CHANGE. NO RESPONSIBILITY



DIMENSIONS IN INCHES AND [MILLIMETERS].

**TECHNICAL DATA**

- RETRACTABLE HOSE REEL
- 35 FEET OF 3/8" I.D. RUBBER HOSE
- HOSE BUMPER, SPRING GUARD AND PUSH LOCK HOSE END
- No. 80 PRE-RINSE SPRAY

- 180°F [82°C] MAX. TEMPERATURE
- 125 PSI MAX. OPERATING PRESSURE
- ANSI A112.18.1 COMPLIANT
- CSA B125 COMPLIANT

DATE: 09-15-00

BY: SID

CHK'D:

APP'D:

REV: 10-26-00

**537**