



T&S BRASS AND BRONZE WORKS, INC.

2 Saddleback Cove / P.O. Box 1088
Travelers Rest, SC 29690



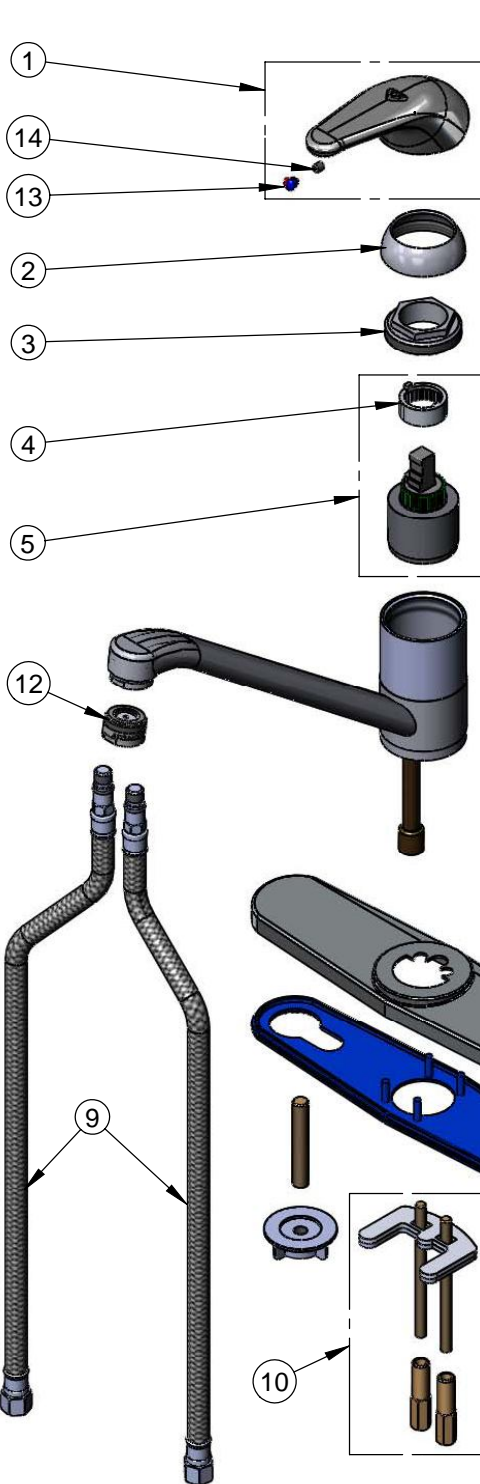
REG. #A2601
ISO #9001

Model No.

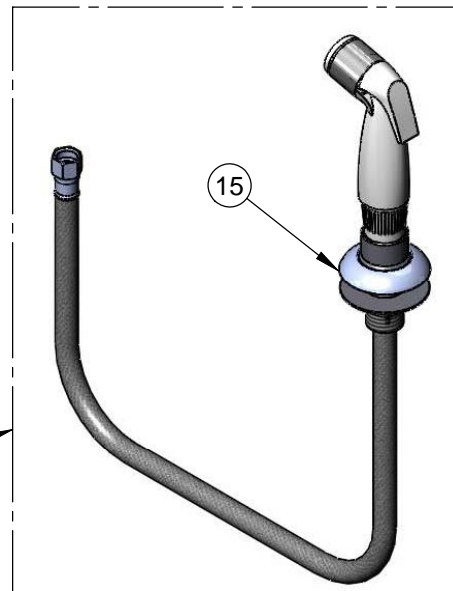
B-2730

Item No.

Travelers Rest, SC: 800-476-4103 Simi Valley, CA: 800-423-0150 Fax: 864-834-3518 www.tsbrass.com



ITEM NO.	SALES NO.	DESCRIPTION
1	013113-45	B-2710 Handle, Single Lever
2	016661-45	Trim Ring
3	016663-45	Locking Nut
4	015400-45	Limit Switch
5	013080-45	Cartridge, B-2740 Side Mount
6	014161-45	Deck Plate, B-2730 & B-2731
7	014160-45	Deck Plate Gasket, B-2730 & B-2731
8	013842-45	48" Side Spray w/ Hose Guide
9	016879-45	Supply Hose (2), 1/8 NPS x (9/16) 3/8 COMP.
10	014163-45	Center Mounting Kit
11	014162-45	Side Mounting Post & Locknut Kit (Set of 2)
12	016671-45	Aerator 2.2 GPM
13	014173-45	Index, Temperature
14	016675-45	Set Screw
15	001496-45	Hose Guide



Product Specifications:

Single Lever, 9" Spout, Swivel Base, Flexible Supplies, 10" Deckplate, 48" Sidespray w/ Hose Guide, Temperature Limit Stop, and Ceramic Cartridge

Drawn DHL	Checked KJG	Approved JHB
Scale: NTS		Date: 08/10/09