

# Installation

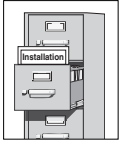
## S19-220P

### Wall-Mounted Eye Wash

#### Table of Contents

Pre-Installation Information .....	2
Installation Instructions .....	3
Assembly of Components .....	4
Parts List .....	5
Hose Clip Installation and Parts List .....	6

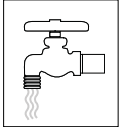
 **WARNING** 



Read this installation manual completely to ensure proper installation, then file it with the owner or maintenance department. Compliance and conformity to drain requirements and other local codes and ordinances is the responsibility of the installer.



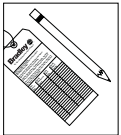
Separate parts from packaging and make sure all parts are accounted for before discarding any packaging material. If any parts are missing, do not begin installation until you obtain the missing parts.



Flush the water supply lines before beginning installation and after installation is complete. Test the unit for leaks and adequate water flow. Main water supply to the eyewash should be "ON" at all times. Provisions shall be made to prevent unauthorized shutoff.



The ANSI Z358.1 standard requires an uninterrupted supply of flushing fluid at a minimum 30 PSI (0.21 MPa) flowing pressure. Flushing fluid should be tepid per ANSI Z358.1.



The inspection and testing results of this equipment should be recorded weekly to verify proper operation. This equipment should be inspected annually to ensure compliance with ANSI Z358.1.



Workers who may come in contact with potentially hazardous materials should be trained regarding the placement and proper operation of emergency equipment per ANSI Z358.1.



For questions regarding the operation or installation of this product, visit [www.bradleycorp.com](http://www.bradleycorp.com) or call 1-800-BRADLEY.

Product warranties may also be found under "Product Information" on our web site at [www.bradleycorp.com](http://www.bradleycorp.com).

## Installation Instructions

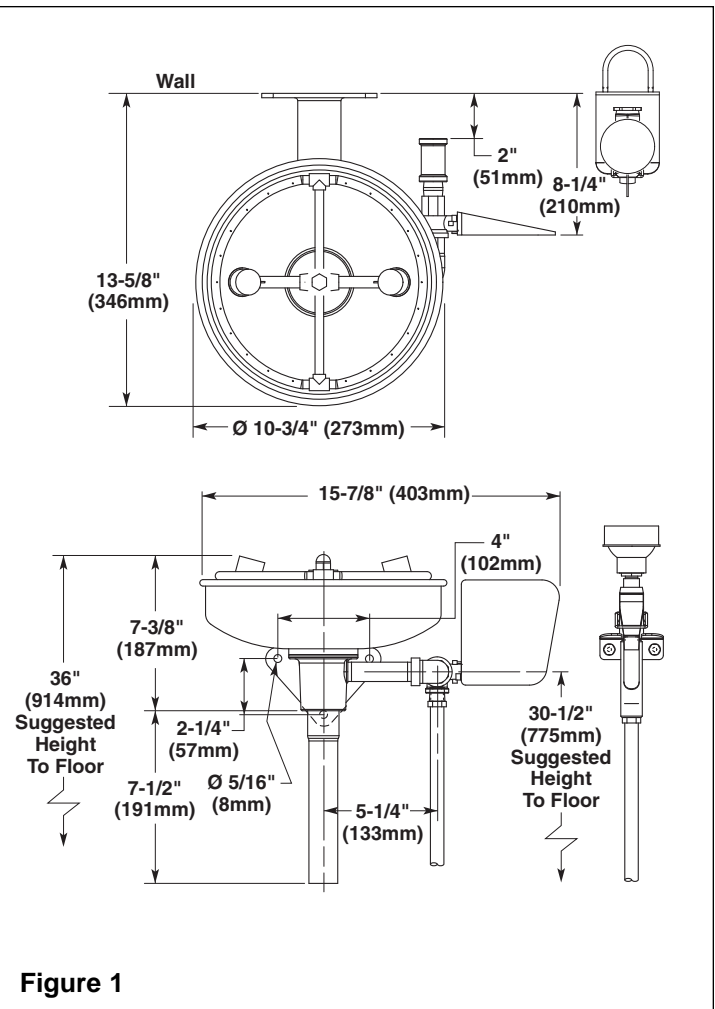
### Supplies Required:

- (3) 3/8" wall fasteners and bolts
- Pipe sealant
- Piping to 1/2" IPS water supply inlet on unit
- Piping to 1-1/4" IPS drain outlet for eyewash
- Sign-mounting hardware
- Backflow prevention device as required by UPC, IPC and/or local plumbing codes

### Step 1: Install inlet-drain fitting

*NOTE: The top of the eyewash heads should be 33"–45" (838mm–1143mm) from the floor.*

1. Position the inlet-drain fitting over the 1-1/4" drain outlet pipe from the wall. Using the inlet-drain fittings as a template, mark the bolt hole locations on the wall (Figure 1).
2. OPTIONAL: Install three suitable fasteners (supplied by installer) for 3/8" bolts in the wall at the marked hole locations (Figure 1).
3. Bolt the inlet-drain fitting to the wall or wall fasteners using 3/8" bolts (supplied by installer).



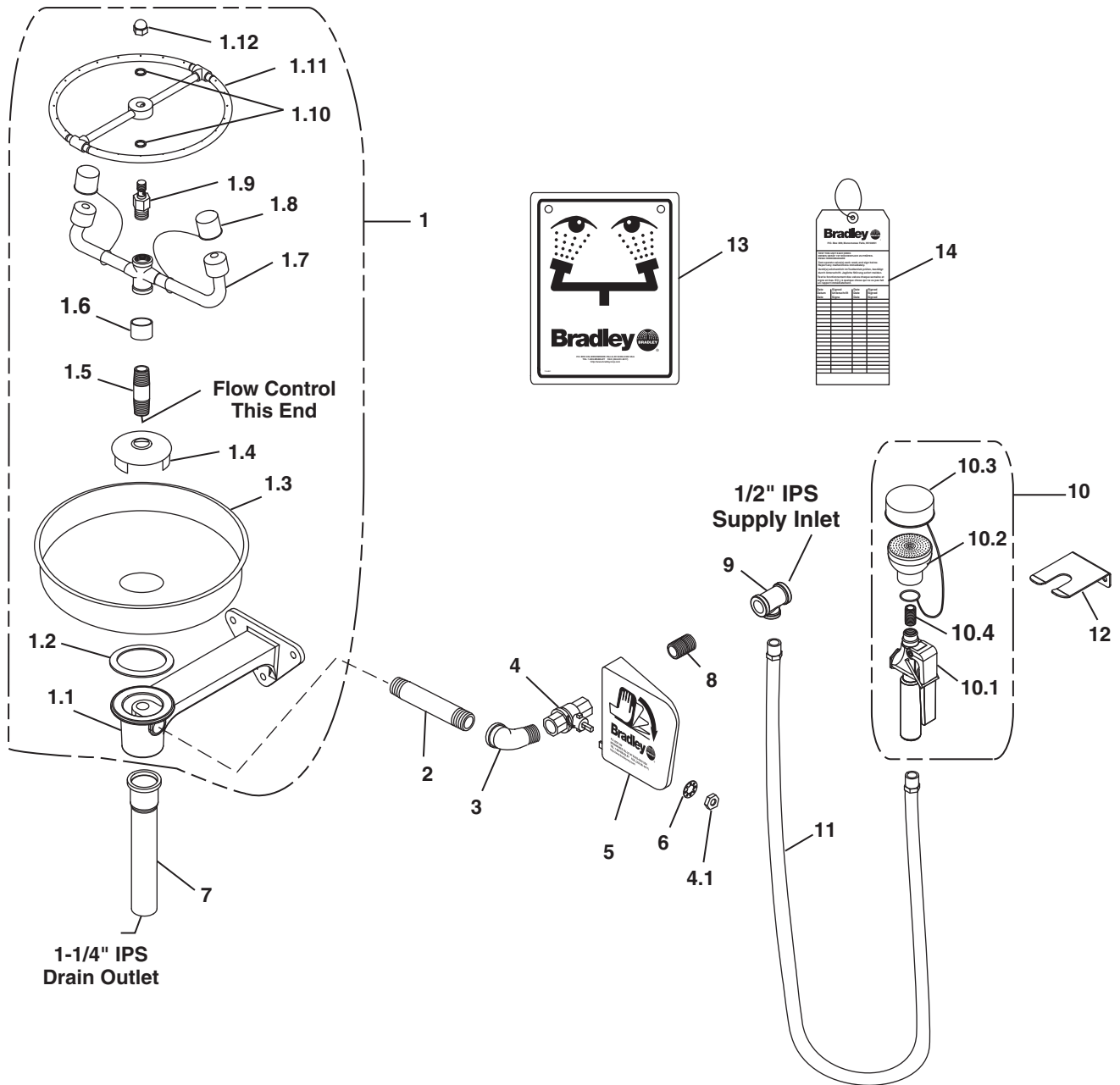
### Step 2: Assemble eyewash components

1. After the inlet-drain fitting is secured, assemble the remaining components as shown in Figure 2 on page 4.
  - Apply pipe sealant (supplied by installer) to all male-threaded pipe joints.
  - Use a strap wrench around pipes when tightening to prevent marring.

### Step 3: Connect water supply

1. Connect the water supply piping to the 1/2" IPS inlet on the eye wash (piping supplied by installer).
2. Connect the tailpiece to the 1-1/4" - IPS drain outlet on the eye wash.
2. Mount safety sign to wall using sign-mounting hardware (supplied by installer).
3. Open the water supply lines. Test for leaks and adequate water flow.

# Assembly of Components



**NOTE:** Items 1.1–1.12 come preassembled as Item 1.  
Items 10.1–10.4 come preassembled as Item 10.

Figure 2

## Parts List

Item	Part No.	Qty	Description	Item	Part No.	Qty	Description
1	S90-304	1	Bowl Assembly	4.1	110-215	1	Nut only
1.1	111-061	1	Inlet Drain Fitting	5	128-135	1	Plastic Handle
1.2	124-028	1	Gasket	6	142-002DA	1	Lockwasher
1.3	187-053	1	Stainless Steel Bowl	7	269-167	1	Tailpiece
1.4	173-009	1	Cup Strainer	8	113-006AW	1	1/2" Close Nipple
1.5	S21-073	1	Supply Pipe	9	269-852	1	Reducing Tee
1.6	113-1159	1	Spacer, Drain	10	S19-787	1	Hose Spray
1.7	S05-100	1	Eyewash Yoke	10.1	S27-265	1	Valve Assembly
1.8	107-371	2	Dust Cover	10.2	S05-158	1	Sprayhead
1.9	269-651	1	Swivel Stem	10.3	S53-063	1	Dust Cover
1.10	124-055	2	Quad Ring	10.4	113-544A	1	Nipple, Plated
1.11	139-087	1	Spray Ring	11	S89-002	1	Yellow Tube 3/8"
1.12	110-199	1	Acorn Nut	12	S45-831	1	Clip Prepack
2	113-006LQ	1	Pipe 1/2" NPT x 3-1/2"	13	114-051	1	Safety Sign
3	169-025	1	Elbow	14	204-421	1	Emergency Tag
4	S27-282	1	1/2" Ball Valve with Nut				

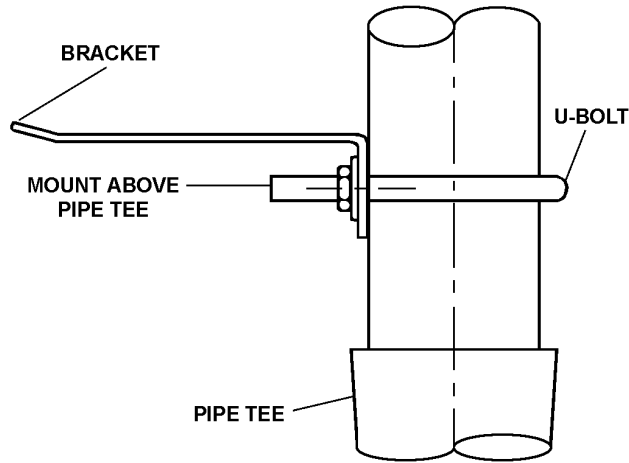
Prepack S45-122 includes Items 4, 4.1, 5, 6

Prepack S45-123 includes Items 4.1, 5, 6

Prepack S05-127 includes Items 1.9, 1.10, 1.11, 1.12

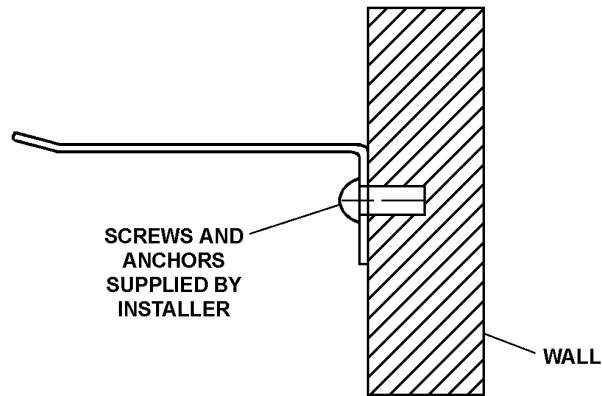
# Installation Instructions for Hose Clip

## PIPE MOUNTING



12

## WALL MOUNTING



## PARTS LIST

	1-1/4" Pipe
Bracket	140-601
U-Bolt	269-681