

Regal® 113 XL Flushometer



- ▶ **Models Available**
 - Regal 113 XL

- ▶ **Description**
Exposed Water Closet Flushometer, for floor mounted or wall hung top spud bowls.

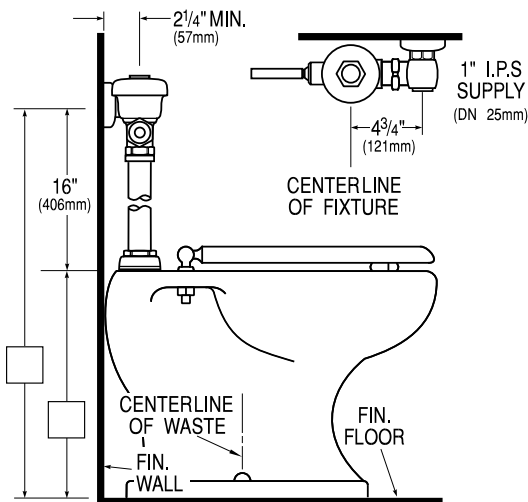
- ▶ **Flush Cycle**
 - Model 113 Water Saver (3.5 gpf/13.2 Lpf)
 - Model 113-1.6 Low Consumption (1.6 gpf/6.0 Lpf)

- ▶ **Specifications**
Quiet, Exposed, Diaphragm Type, Chrome Plated Closet Flushometer with the following features:
 - ADA Compliant Metal Oscillating Non-Hold-Open Handle
 - 1" I.P.S. Screwdriver Bak-Chek™ Angle Stop
 - Control Stop Plug
 - Sweat Solder Adapter with Cover Tube
 - Adjustable Tailpiece
 - Cast Wall Flange with Set Screw
 - Vacuum Breaker Flush Connection
 - Spud Coupling and Spud Flange for 1½" Top Spud
 - High Copper, Low Zinc Brass Castings for Dezincification Resistance
 - Non-Hold-Open Handle and No External Volume Adjustment to Ensure Water Conservation
 - Low Consumption flush accuracy controlled by Para-Flo™ Technology
 - Handle Packing, Stop Seat and Vacuum Breaker to be Molded from PERMEX™ Rubber Compound for Chloramine Resistance

Valve Body, Cover, Tailpiece and Control Stop shall be in conformance with ASTM Alloy Classification for Semi-Red Brass. Valve shall be in compliance to the applicable sections of ASSE 1037.

- ▶ **Accessories**
See Accessories Section of the Sloan catalog for available accessories

- ▶ **Fixtures**
Consult Sloan for Sloan brand matching fixture options.



Listed by I.A.P.M.O.



This space for Architect/Engineer approval

The information contained in this document is subject to change without notice.

SLOAN®

SLOAN VALVE COMPANY • 10500 SEYMOUR AVE. • FRANKLIN PARK, IL. 60131
Ph: 1-800-9-VALVE-9 or 1-847-671-4300 • Fax: 1-800-447-8329 or 1-847-671-4380
<http://www.sloanvalve.com>