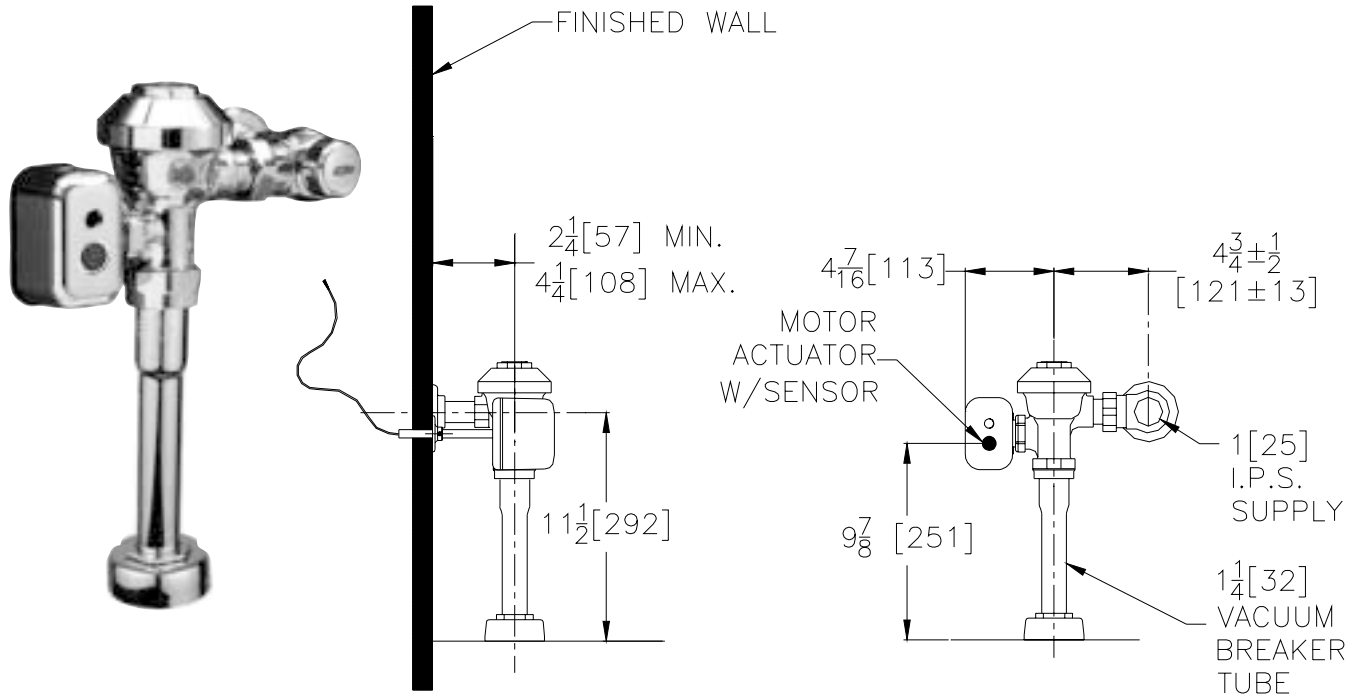




Exposed ZEMS6001AV-IS Model Hardwired Automatic Sensor Flush Valve For 1-1/4" Urinals



Flow Options

- WS1** 1.0 Gal. Low Consumption
- WS** 1.5 Gal. Water Saver
- Standard Flush** 3.0 Gallons Per Flush

Suffix Options (Check/Specify Appropriate Options)

- _____ **-YJ** Split Ring Pipe Support
- _____ **-YK** Solid Ring Pipe Support
- _____ **Other**

Accessories (Order separate as specified)

- PESS6000-BB** Battery Back-up (Up to 8 valves)
- P6000-PC6** 6VDC Plug-in Power Converter (Up to 8 valves)
- P6000-MJ** Mini Junction Box
- P6000-HW6** Hardwire Power Converter (Up to 8 valves)

ENGINEERING SPECIFICATION: ZURN ZEMS6001AV-IS AquaSense 'AV' Exposed Hardwired Automatic Sensor Flush Valve For Urinals- Exposed, quiet diaphragm-type, chrome plated, flushometer valve with a polished exterior. Complete with Zurn's AquaVantage TPE, chloramine resistant, dual seal diaphragm with a clog resistant, triple filtered by-pass. The valve incorporates a 6 VDC motorized actuator, an integral infrared convergence-type proximity sensor and a manual push-button override into an all-metal, polished chrome plated housing. Sensor range automatically adjusts to its environment at power up and is powered by a 6 VDC power converter. Each power converter can accommodate up to eight flush valves. The valve is complete with high back pressure vacuum breaker, one piece hex coupling nut, adjustable tailpiece, spud coupling and flange for top spud connection. Control stop has internal siphon-guard protection, vandal resistant stop cap, sweat solder kit, and a cast wall flange with set screw. Internal seals are made of chloramine resistant materials.

This space is for Architectural/engineering Approval