



T&S BRASS AND BRONZE WORKS, INC.
 2 SADDLEBACK COVE / P.O. BOX 1088 / TRAVELERS REST, SC 29690
 PHONE 800-476-4103 FAX 864- 834-3518

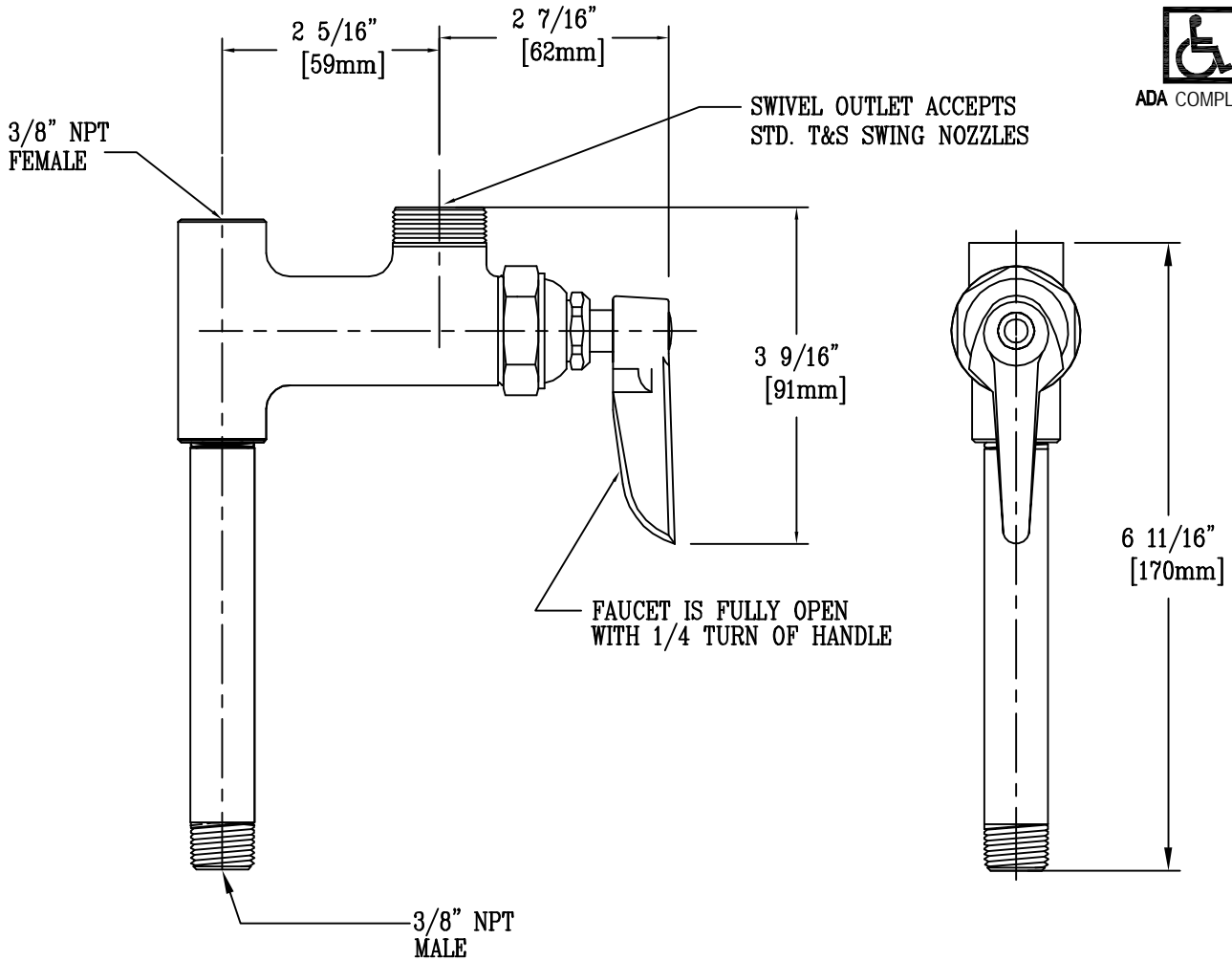


Model No.
 B-0155-05LN
 Item No.:

Job Name:

Architect/Engineer Approval:

Notes:



NOTES: THE ADD-ON FAUCET IS AN ADDITION TO PRE-RINSE UNITS AND IS INSTALLED IN OUTLETS OF BASE MIXING FAUCETS OF UNITS BEFORE FITTING RISER PIPE, AS SHOWN.

LEVER HANDLE CONTROLS WATER ON-OFF THRU NOZZLE ONLY; PRESSURE IS ALWAYS "ON" IN RISER PIPE. (CONTROLLED BY BASE FAUCET).

Product Description:

ADD-ON FAUCET WITH 5" NIPPLE

Drawn:

WJS

Approved

MVW

Checked

JKD

Scale:

1 : 4

Date:

8/18/99