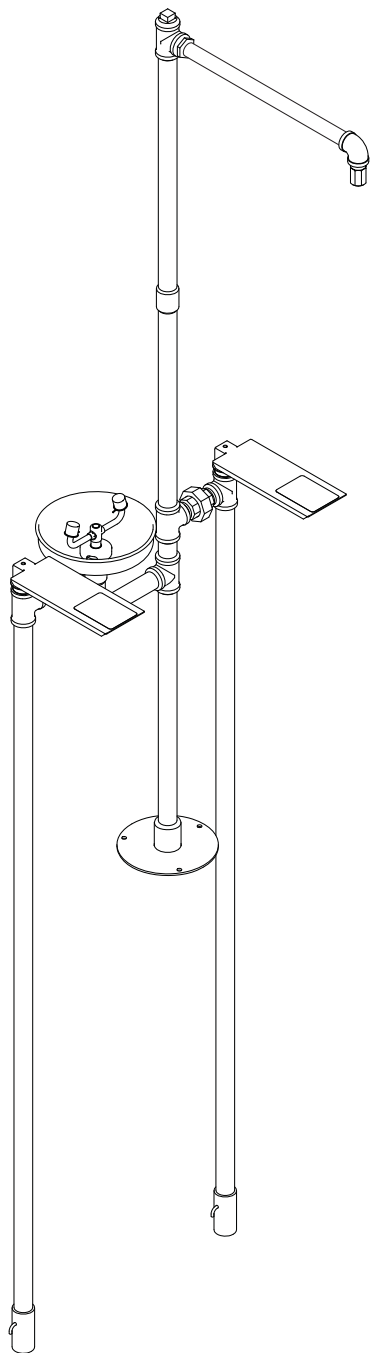


# Installation

## S19-310NNSS

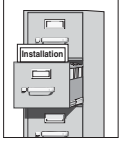
**Stainless Steel Frost-Proof  
Combination Drench Shower and  
Eyewash in 18", 3', 4', 5' and 6'  
Bury Depths**



### Table of Contents

Pre-Installation Information .....	2
Installation .....	3
Assembly of Components .....	4-5
Parts List .....	6

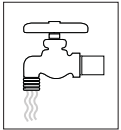
## ⚠ IMPORTANT ⚠



Read this installation manual completely to ensure proper installation, then file it with the owner or maintenance department. Compliance and conformity to drain requirements and other local codes and ordinances is the responsibility of the installer.



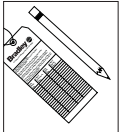
Separate parts from packaging and make sure all parts are accounted for before discarding any packaging material. If any parts are missing, do not begin installation until you obtain the missing parts.



Flush the water supply lines before beginning installation and after installation is complete. Test the unit for leaks and adequate water flow. Main water supply to the eyewash should be "ON" at all times. Provisions shall be made to prevent unauthorized shutoff.



The ANSI Z358.1 standard requires an uninterrupted supply of flushing fluid at a minimum 30 PSI (0.21 MPa) flowing pressure. Flushing fluid should be tepid per ANSI Z358.1.



The inspection and testing results of this equipment should be recorded weekly to verify proper operation. This equipment should be inspected annually to ensure compliance with ANSI Z358.1.



Workers who may come in contact with potentially hazardous materials should be trained regarding the placement and proper operation of emergency equipment per ANSI Z358.1.



For questions regarding the operation or installation of this product, visit [www.bradleycorp.com](http://www.bradleycorp.com) or call 1-800-BRADLEY.

Product warranties and parts information may also be found under "Products" on our web site at [www.bradleycorp.com](http://www.bradleycorp.com).

### Supplies Required:

- (3) 3/8" floor anchors and bolts
- Pipe sealant
- Material for concrete footings
- Crushed stone
- Piping to 1-1/4" NPT water supply inlet on unit
- Adequate supply pipe supports
- Piping to 1-1/4" NPT drain outlet for eye wash on unit
- Minimum 4" (102mm) drain to accommodate 30 gallons/minute discharge for drench shower waste

# Installation

## Step 1: Concrete footing and base

1. Pour a concrete footing for the drench shower adjacent to the excavation for supplies and drains.



**IMPORTANT: Make sure the solid nipple is located where shown on page 4.**

2. Assemble the base, the 27-1/2" long pipe, the coupling, two pipe tees and 3" plugged nipple (refer to page 4).
3. Attach the base to the footing with suitable fasteners (supplied by installer).

## Step 2: Bowl and valve assembly

1. Assemble the bowl as shown on page 4 and attach the completed assembly to the unit.



**IMPORTANT: Make sure the uppermost tee and the supply inlet (bowl) are aligned toward their respective excavations.**

2. Lower one valve assembly into the excavation for the drench shower and attach the valve assembly to the tee using the close nipples and union as shown on page 4.
3. Repeat the above step for the eyewash valve. This will establish the heights of the valves for connection to supplies and drains.
4. Connect the valves to the supplies and weep valves to drain down waste outlet. Backfill as shown.

## Step 3: Assemble remaining components

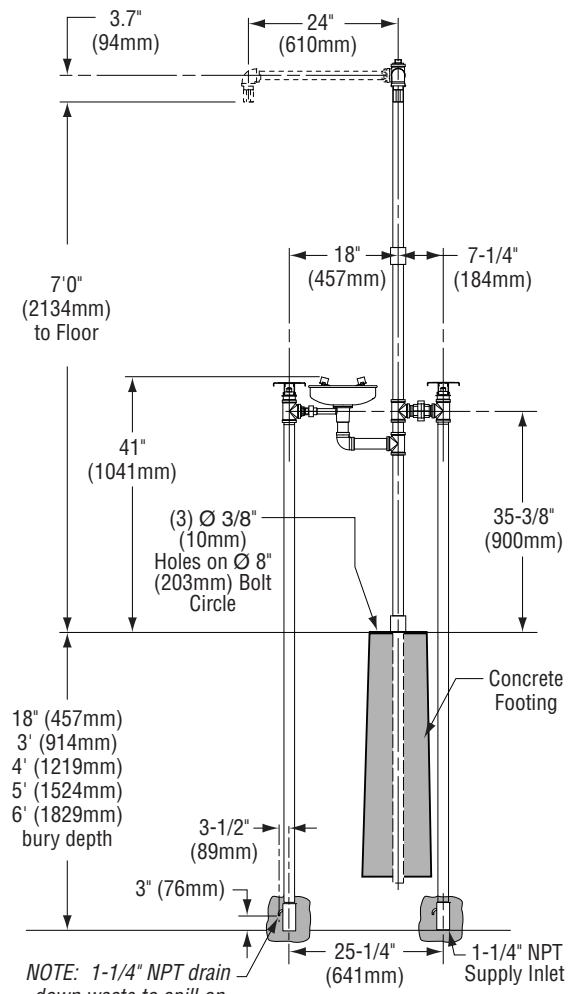
*NOTE: Apply pipe sealant to all pipe joints.*

1. Assemble the remaining components.
  - Use the rubber grip pad provided or a strap wrench around pipes when tightening to prevent marring. Place the grip pad on the pipe, then put the wrench over the grip pad and turn the pipe with the wrench.



**IMPORTANT: Do not rely on Bradley's Drench Shower to support supply piping.**

2. Hang the safety sign from the unit with the curtain hooks provided (or mount it to the wall using sign-mounting hardware supplied by installer).



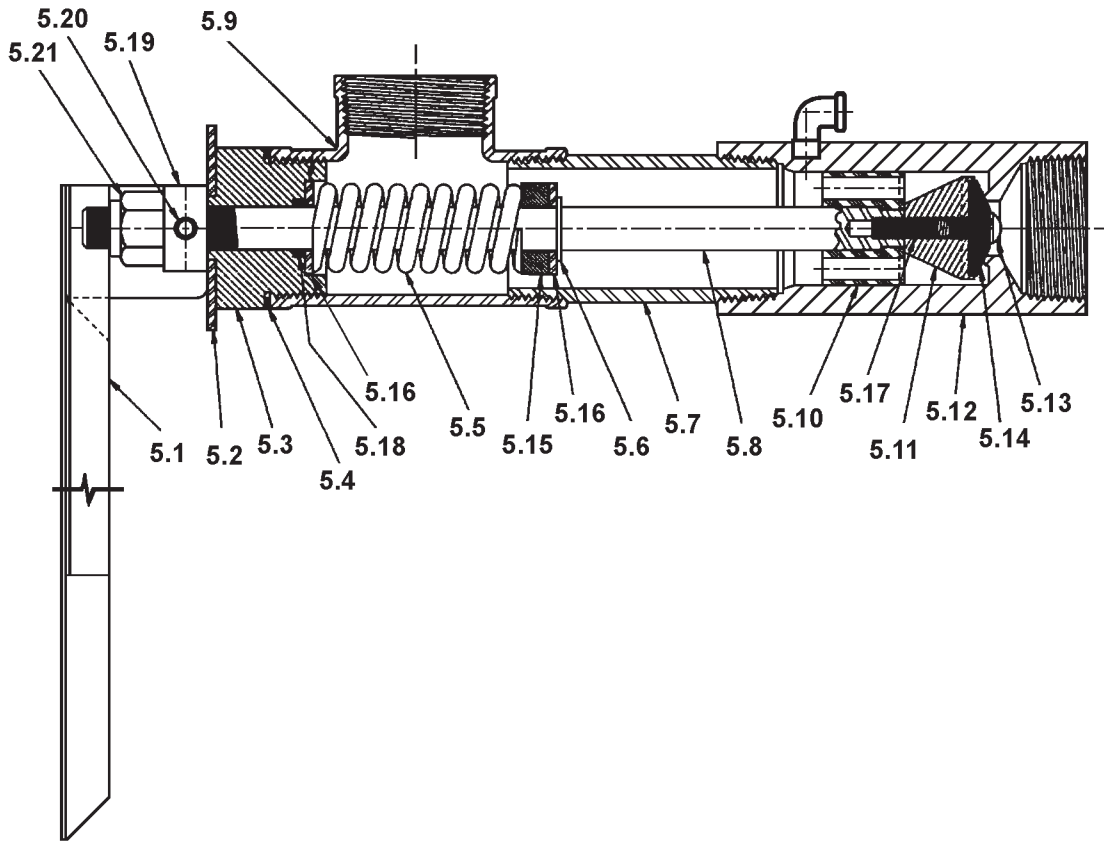
*NOTE: 1-1/4" NPT drain down waste to spill on grade, french drain or other safe waste.*

*NOTE: Not less than 3 cubic yards of crushed stone around and below drain down waste outlet for drainage.*

**NOTE: All dimensions assume standard thread engagement. Variations in manufacturing allow for +/- 1/8" (3mm) per threaded joint. To find the tolerance of a dimension, add the number of thread joints in between a dimension and multiply it by 1/8" (3mm).**



# Assembly of Components



## Parts List

Item	Part No.	Qty	Description	Item	Part No.	Qty	Description
1	S90-363	1	Stainless Steel Eyewash Assy.		120-128E	1	Lifting Stem (6' Bury Depth)
1.1	111-049	1	Inlet Drain Fitting	5.9	269-237B	1	Tee
1.2	124-028	1	Center Seal Gasket	5.10	145-072	1	Guide
1.3	187-053	1	Eye Wash Bowl	5.11	132-041	1	Retainer
1.4	173-009	1	Cup Strainer	5.12	S73-057	1	Valve Body Assy.
1.5	S21-072	1	Supply Pipe Assy.	5.13	160-138	1	Machine Screw
1.6	113-1159	1	Spacer, Drain	5.14	169-920	1	Faucet Washer
1.7	S05-131	1	Eyewash Yoke	5.15	182-061	1	Spacer
1.8	107-371	2	Tethered Dust Cover	5.16	142-002CC	3	Washer
1.9	153-333	1	Pipe Plug	5.17	160-251	1	Screw Stud
1.10	269-874	1	Cap Plug	5.18	125-001CD	1	O-Ring
2	S06-188	1	Solid Pipe Nipple	5.19	110-219	1	Bar Nut
3	S24-191	1	Stainless Steel Showerhead Assy.	5.20	165-038	2	Roll Pin
3.1	S24-187	1	Flow Control Assembly, 23 GPM	5.21	161-073	1	Stop Nut
4	269-1048	1	Coupler	6	113-584	2	1-1/4" Pipe NPT x 26-1/2"
5	S90-321	2	HFP Valve Assy. 18" Bury Depth	7	113-579	1	1-1/4" Pipe Nipple
	S90-322	2	HFP Valve Assy. 3' Bury Depth	8	113-867	1	1/2" NPT Pipe Nipple
	S90-323	2	HFP Valve Assy. 4' Bury Depth	9	113-866	1	1/2" NPT Pipe x 4"
	S90-324	2	HFP Valve Assy. 5' Bury Depth	10	113-582	1	1-1/4" NPT Pipe x 6-1/2"
	S90-325	2	HFP Valve Assy. 6' Bury Depth	11	113-583	1	1-1/4" NPT x 22-1/2" Pipe
5.1	S08-040	1	Handle Assy.	12	113-864	1	1" NPT x 21" Pipe
5.2	142-002BB	1	Stainless Steel Washer	13	113-865	2	1-1/4" Pipe Nipple
5.3	110-218	1	Bonnet Nut	14	169-1004	1	1-1/4" Union
5.4	124-001BS	1	Gasket	15	S90-255	1	Mounting Base
5.5	135-001AP	1	Spring	16	169-1074	1	90° Elbow
5.6	132-012	1	Retaining Ring	17	269-239	1	Reducer
5.7	113-868	1	Casing Pipe (18" Bury Depth)	18	269-240	1	1/2" NPT Union
	113-869	1	Casing Pipe (3' Bury Depth)	19	269-237	3	1-1/4" Pipe Tee
	113-870	1	Casing Pipe (4' Bury Depth)	20	269-242	1	90° Pipe Elbow
	113-871	1	Casing Pipe (5' Bury Depth)	21	269-238	1	1-1/4" Pipe Plug
	113-872	1	Casing Pipe (6' Bury Depth)	22	269-236A	1	1-1/4"-1" Adapter
5.8	120-128A	1	Lifting Stem (18" Bury Depth)	23	151-001	2	Curtain Hook
	120-128B	1	Lifting Stem (3' Bury Depth)	24	114-052	1	Safety Sign
	120-128C	1	Lifting Stem (4' Bury Depth)	25	204-421	1	Emergency Tag
	120-128D	1	Lifting Stem (5' Bury Depth)	26	269-915	1	Grip Pad (not shown)