

**CHICAGO
FAUCETS**
a Geberit company

2100 SOUTH CLEARWATER DRIVE
DES PLAINES, ILLINOIS 60018-5999

FITTING NO.

980-909CAG

SUBMITTED MODEL NO.

JOB NAME

ITEM NO.

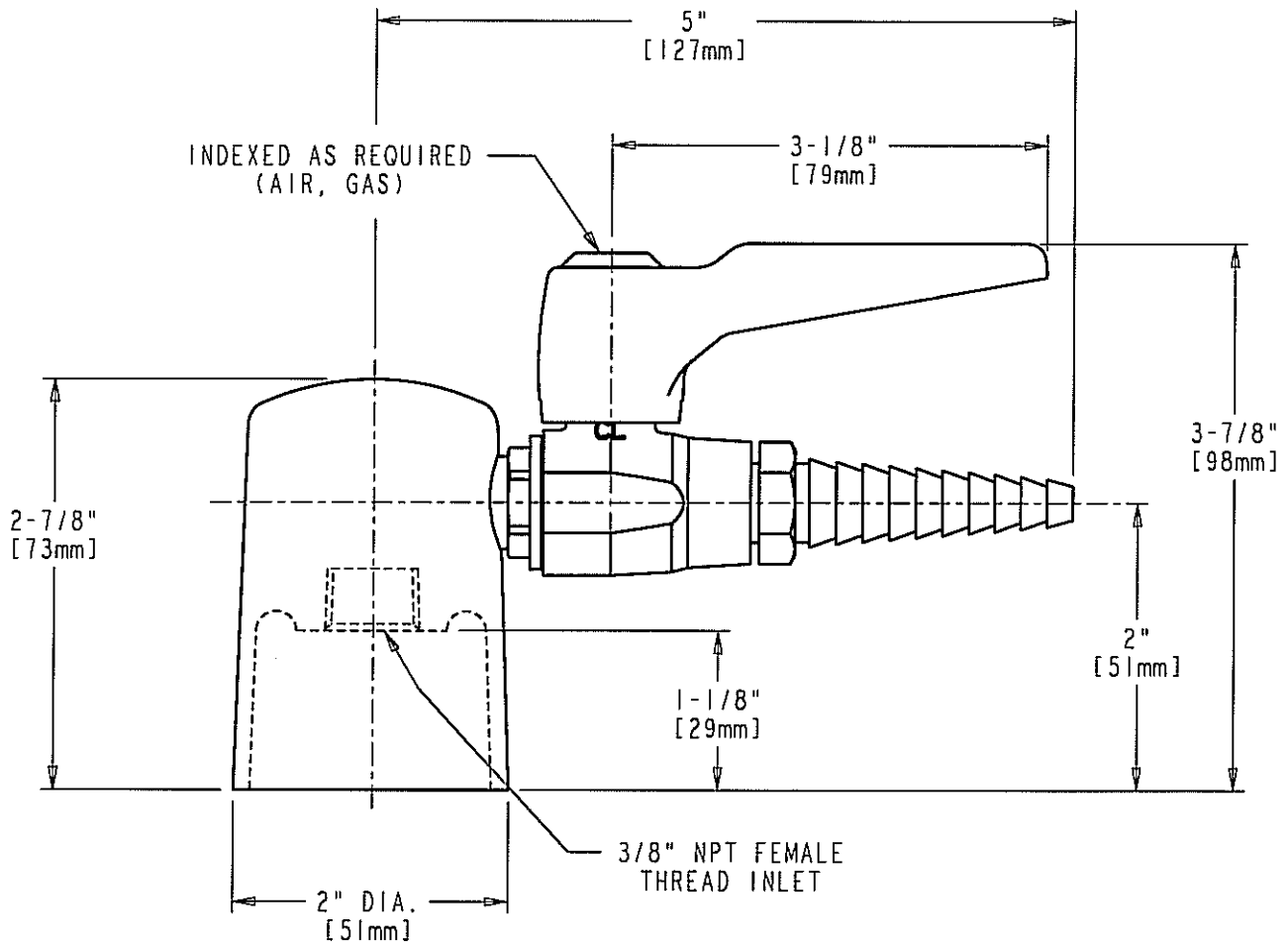
SUBMITTED AS SHOWN

SUBMITTED AS NOTED

SEE ATTACHED FOR
SUBMITTED MODIFICATION



ADA COMPLIANT



DIMENSIONS IN INCHES AND [MILLIMETERS].

TECHNICAL DATA

- TURRET WITH SINGLE BALL VALVE
- 909 GAS BALL VALVE
- E7TC REMOVABLE SERRATED HOSE NOZZLE WITH CHECK VALVE
- LEVER HANDLE WITH AIR OR GAS INDEX BUTTON
- FOR USE WITH 0.5-125 PSI MAXIMUM WORKING PRESSURE
- FINISH: CHROME PLATE

- ANSI Z21.5A
- CGA 9.1M

DATE: 05-06-04

BY: SID

CHK'D:

APP'D: *AT*

REV: A

980-909CAG

ROUGHING IN DIMENSIONS MAY VARY AND ARE SUBJECT TO CHANGE. NO RESPONSIBILITY IS ASSUMED FOR USE OF SUPERCEDED OR VOIDED DATA.