



T&S BRASS AND BRONZE WORKS, INC.

2 Saddleback Cove / P.O. Box 1088
Travelers Rest, SC 29690



REG. #A2601
ISO #9001

Model No.

B-0044-H2A

Item No.

Travelers Rest, SC: 800-476-4103 Simi Valley, CA: 800-423-0150 Fax: 864-834-3518 www.tsbrass.com

This Space for Architect/Engineer Approval

Job Name _____ Date _____

Model Specified _____ Quantity _____

Customer/Wholesaler _____

Contractor _____

Architect/Engineer _____



010476-45 Washer
Furnished w/ Hose

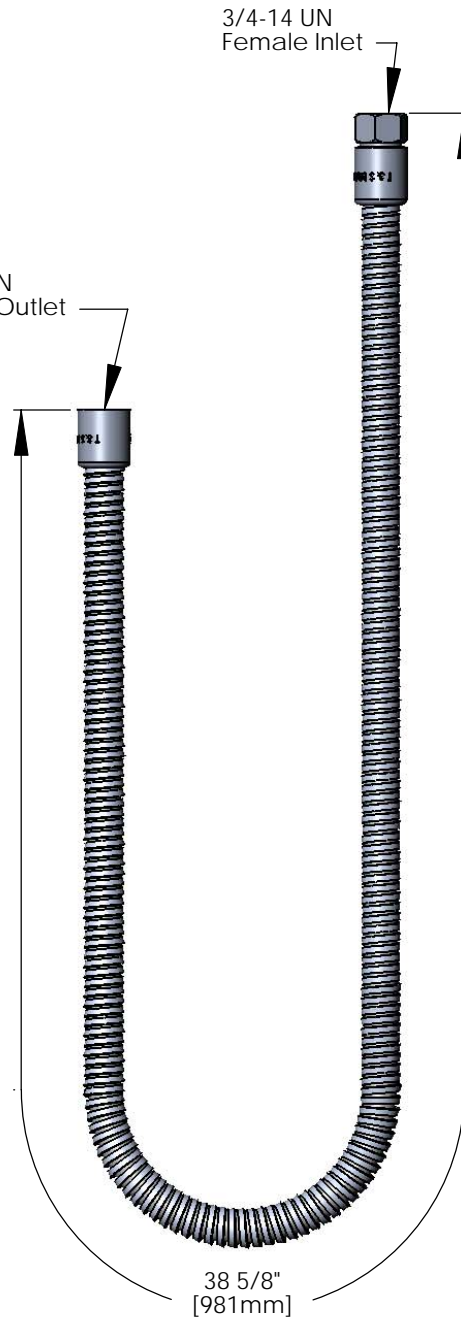


01014-45 Washer
Furnished w/ Hose

Flexible Stainless Steel
Hose w/ Polyurethane
Inner Hose

7/8-20 UN
Female Outlet

3/4-14 UN
Female Inlet



Product Specifications:

**44" Flexible Stainless Steel Hose Assembly
Less Handle**

Drawn
KJG

Checked
DHL

Approved
JHB

Scale:

NTS

Date:

03/31/09



T&S BRASS AND BRONZE WORKS, INC.

2 Saddleback Cove / P.O. Box 1088
Travelers Rest, SC 29690



REG. #A2601
ISO #9001

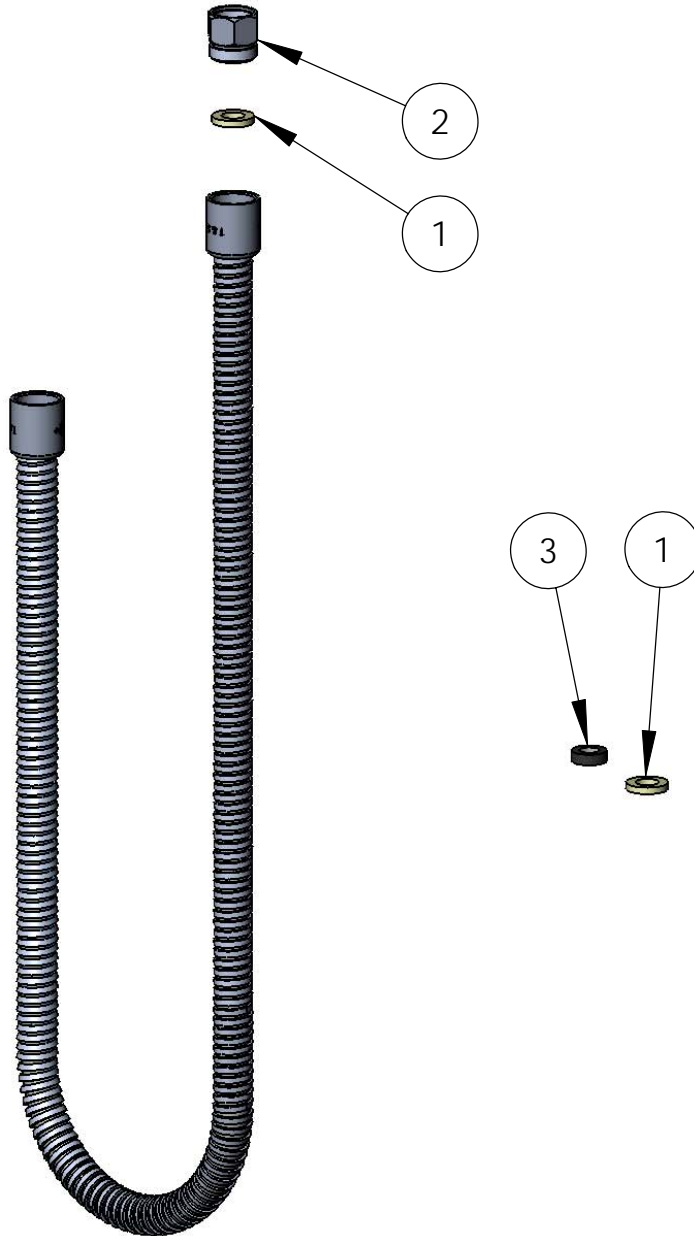
Model No.

B-0044-H2A

Item No.

Travelers Rest, SC: 800-476-4103 Simi Valley, CA: 800-423-0150 Fax: 864-834-3518 www.tsbrass.com

ITEM NO.	SALES NO.	DESCRIPTION
1	001014-45	Washer, B-0100 Hose Barrel
2	000729-40	Nut
3	010476-45	#27 Washer



Product Specifications:

**44" Flexible Stainless Steel Hose Assembly
Less Handle**

Drawn
KJG

Checked
DHL

Approved
JHB

Scale:

NTS

Date:

03/31/09