

Installation

S19-310TT

Combination Drench Shower and Eye/Face Wash

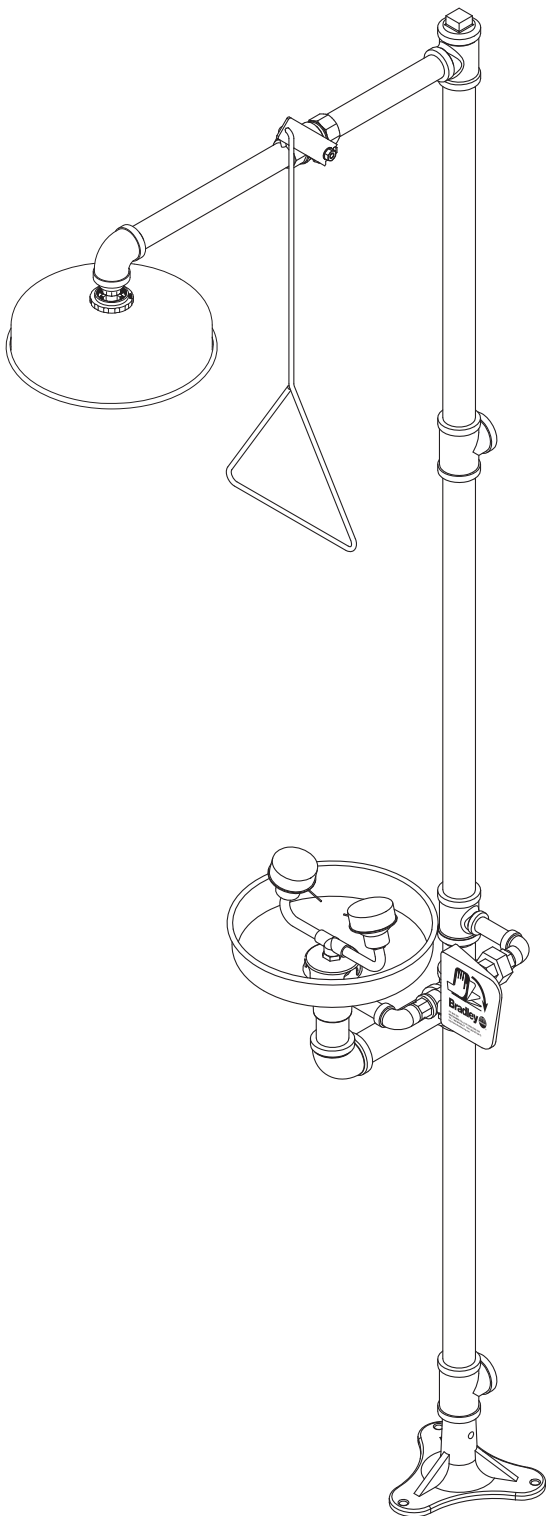
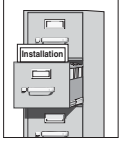


Table of Contents

Pre-Installation Information	2
Installation Instructions	3
Assembly of Components	4
Parts List	5

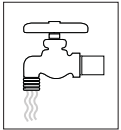
 **IMPORTANT** 



Read this installation manual completely to ensure proper installation, then file it with the owner or maintenance department. Compliance and conformity to drain requirements and other local codes and ordinances is the responsibility of the installer.



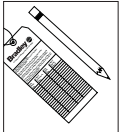
Separate parts from packaging and make sure all parts are accounted for before discarding any packaging material. If any parts are missing, do not begin installation until you obtain the missing parts.



Flush the water supply lines before beginning installation and after installation is complete. Test the unit for leaks and adequate water flow. Main water supply to the eyewash should be "ON" at all times. Provisions shall be made to prevent unauthorized shutoff.



The ANSI Z358.1 standard requires an uninterrupted supply of flushing fluid at a minimum 30 PSI (0.21 MPa) flowing pressure. Flushing fluid should be tepid per ANSI Z358.1.



The inspection and testing results of this equipment should be recorded weekly to verify proper operation. This equipment should be inspected annually to ensure compliance with ANSI Z358.1.



Workers who may come in contact with potentially hazardous materials should be trained regarding the placement and proper operation of emergency equipment per ANSI Z358.1.



For questions regarding the operation or installation of this product, visit www.bradleycorp.com or call 1-800-BRADLEY.

Product warranties and parts information may also be found under "Products" on our web site at www.bradleycorp.com.

Installation

Supplies Required:

- (3) 3/8" floor anchors and bolts
- Teflon tape and pipe sealant
- Piping to 1 1/4" NPT water supply inlet and to 1 1/4" NPT drain outlet on unit
- Adequate supply pipe supports
- Min. 4" drain to accommodate 30 gallons per minute discharge for shower waste
- OPTIONAL: sign-mounting hardware

NOTE: Local codes may require the installation of a backflow prevention valve to complete proper installation. Compliance with local codes is the responsibility of the installer. Valve must be tested annually to verify that it is functioning properly. Backflow prevention valves are not included with the fixture and may be supplied by the contractor or purchased from Bradley Corporation.

Step 1: Secure base to floor

1. Install three suitable anchors (supplied by installer) for 3/8" bolts in the floor.
2. Bolt the base to the floor anchors using 3/8" bolts (supplied by installer).

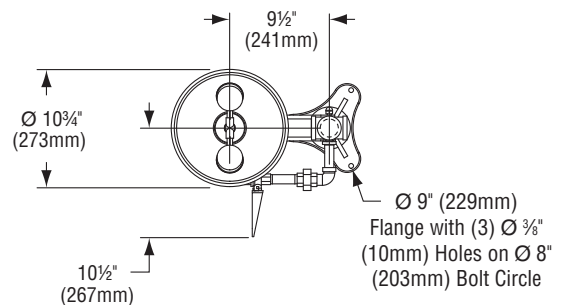
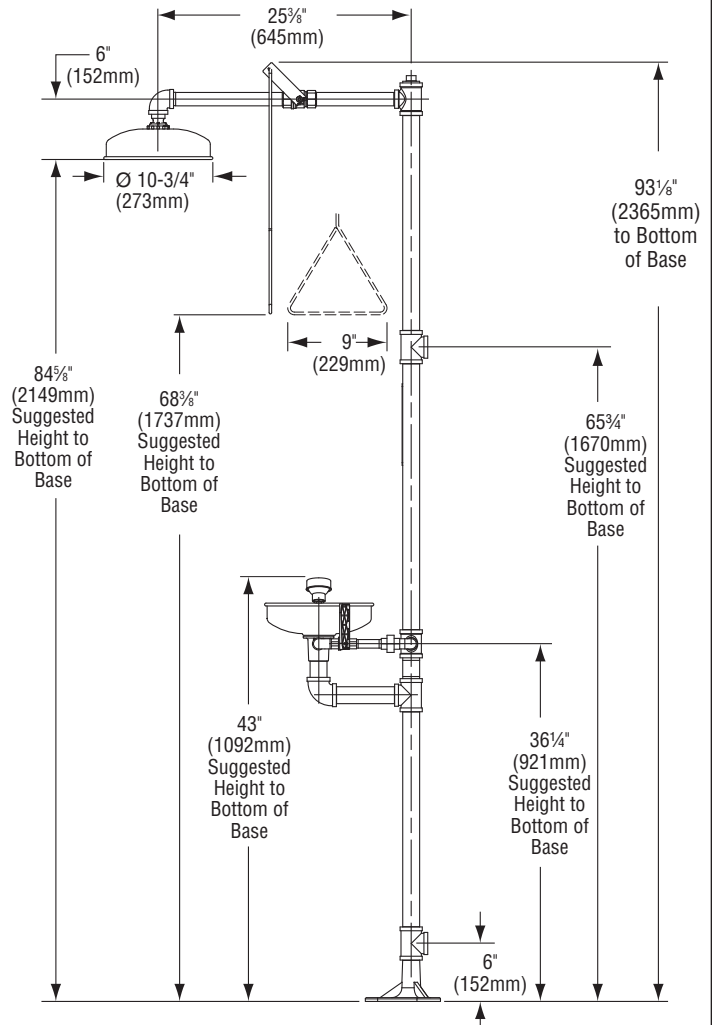
Step 2: Assemble components

1. Assemble the drench shower components first, then the eye/face wash as shown on page 4.
 - Apply teflon tape or pipe sealant (supplied by installer) as required to all male-threaded pipe joints.
 - Use the rubber grip pad provided or a strap wrench around pipes when tightening to prevent marring. Place the grip pad on the pipe, then put the wrench over the grip pad and turn the pipe with the wrench.
 - The bottom edge of the showerhead should be 84 5/8" (2149mm) from the bottom of the base.

Step 3: Connect water supply

IMPORTANT: Do not rely on Bradley's Combination Unit to support supply piping.

1. Connect water supply piping to 1 1/4" NPT inlet on unit (piping by installer). Provide adequate supports (by installer) for supply pipe using pipe hangers or other means.
2. Connect drain piping to 1 1/4" NPT drain outlet on unit (piping by installer).
3. Hang the safety sign from the unit with the curtain hooks provided (or mount it to the wall using sign-mounting hardware by installer).

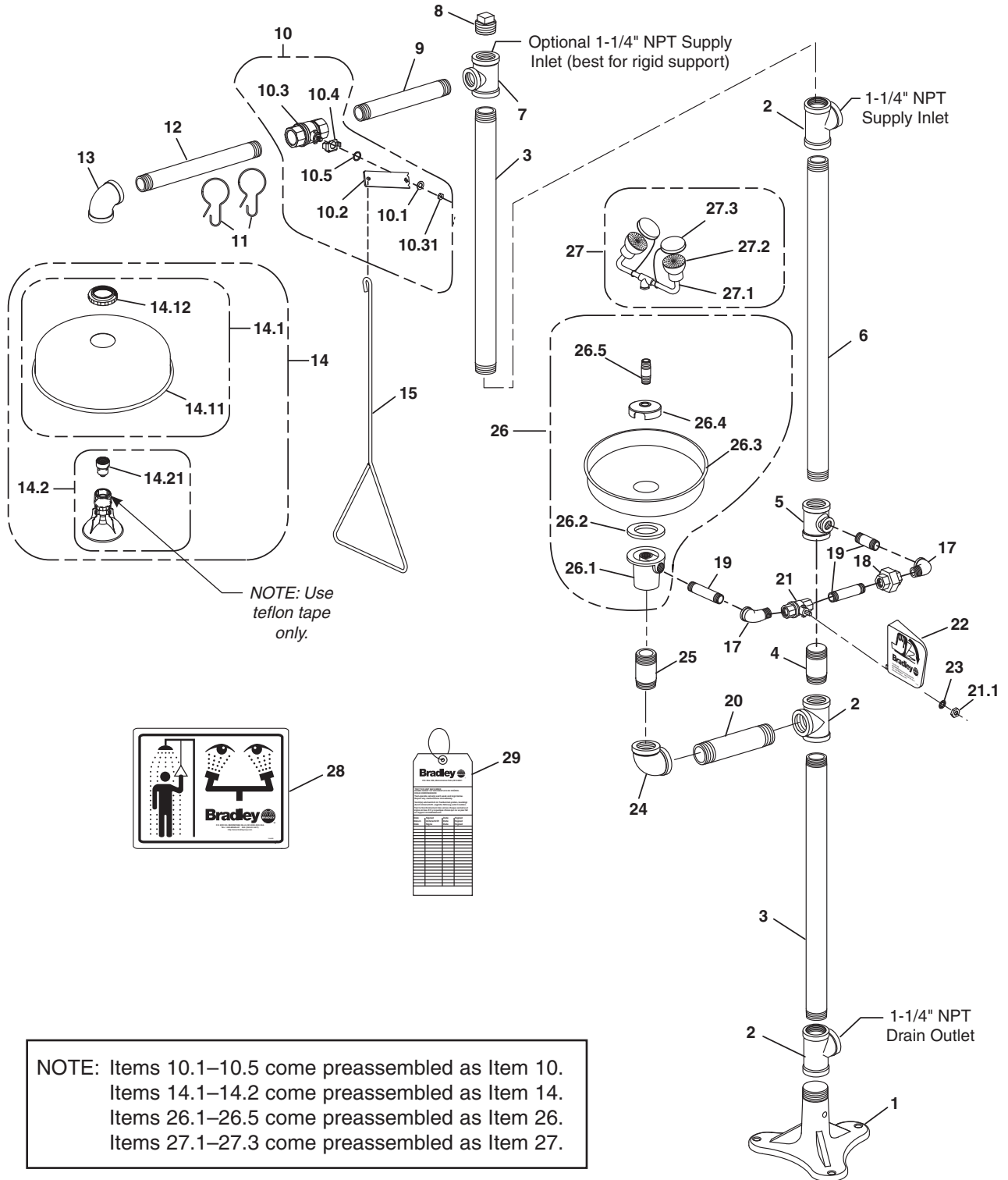


Top View From Bowl

NOTE: All dimensions assume standard thread engagement. Variations in manufacturing allow for +/- 1/8" (3mm) per threaded joint. To find the tolerance of a dimension, add the number of thread joints in between a dimension and multiply it by 1/8" (3mm).

Assembly of Components

NOTE: If tee (Item 7) is used as a supply inlet, use plug (Item 8) on tee (Item 2).



NOTE: Items 10.1–10.5 come preassembled as Item 10.
 Items 14.1–14.2 come preassembled as Item 14.
 Items 26.1–26.5 come preassembled as Item 26.
 Items 27.1–27.3 come preassembled as Item 27.

Parts List

Item	Part No.	Qty	Description	Item	Part No.	Qty	Description
1	131-059	1	Base	15	128-156A	1	Pull Rod - 25" Long
2	169-727	3	Pipe Tee 1¼" NPT	16	269-915	1	Grip Pad (not shown)
3	113-006LW	2	Pipe 1¼" NPT x 22½" Lg.	17	169-025	2	Elbow ½" NPT
4	S06-136	1	Plugged Nipple 1¼" NPT x 3"	18	169-726	1	Union ½" Female NPT
5	169-841	1	Reducing Tee 1¼" x ½" x 1¼"	19	113-006LQ	3	Pipe ½" NPT x 3½"
6	113-006LC	1	Pipe 1¼" NPT x 27½"	20	113-006QX	1	Pipe 1¼" NPT x 7 ³² "
7	169-722	1	Reducing Tee 1¼" x 1" x 1¼"	21	S27-282	1	½" Ball Valve with Nut
8	169-724	1	Pipe Plug 1¼" NPT	21.1	110-215	1	Jam Nut only
9	113-006LL	1	Pipe 1" NPT x 9"	22	128-135	1	Handle
10	S30-059	1	Stay-Open Ball Valve 1" NPT	23	142-002DA	1	Lockwasher
10.1	142-002DC	1	Lockwasher	24	169-764	1	90° Pipe Elbow 1¼" NPT
10.2	128-129	1	Handle	25	113-006LE	1	Pipe 1¼" NPT x 3"
10.3	S27-278	1	1" Ball Valve with Nut	26	S90-094	1	Stainless Steel Bowl Assy.
10.31	110-214	1	Nut only	26.1	111-039	1	Inlet Drain Fitting
10.4	140-720	1	Stop Bracket	26.2	124-028	1	Center Seal Gasket
10.5	124-048	1	Washer, Friction	26.3	187-053	1	Stainless Steel Eyewash Bowl
11	151-001	2	Curtain Hook	26.4	173-009	1	Cup Strainer
12	113-006LK	1	Pipe 1" NPT x 12"	26.5	113-1150	1	Supply Pipe
13	169-847	1	90° Elbow 1" NPT	27	S05-064D	1	Eye/Face Wash Assembly
14	S24-189	1	Stainless Steel Showerhead Assy.	27.1	S05-091P	1	Eyewash yoke
14.1	S24-193	1	Shroud Assembly	27.2	S05-135	2	Eye/Face Wash Sprayhead
14.11	187-053	1	Showerhead Shell	27.3	S53-063	2	Tethered Dust Cover
14.12	154-147	1	Ring	28	114-052	1	Safety Sign
14.2	S24-188	1	Plastic Showerhead Assembly	29	204-421	1	Emergency Tag
14.21	S24-187	1	Flow Control Assembly, 23 GPM				

Prepack S45-122 includes items 21, 21.1, 22, 23

Prepack S45-123 includes items 21.1, 22, 23