

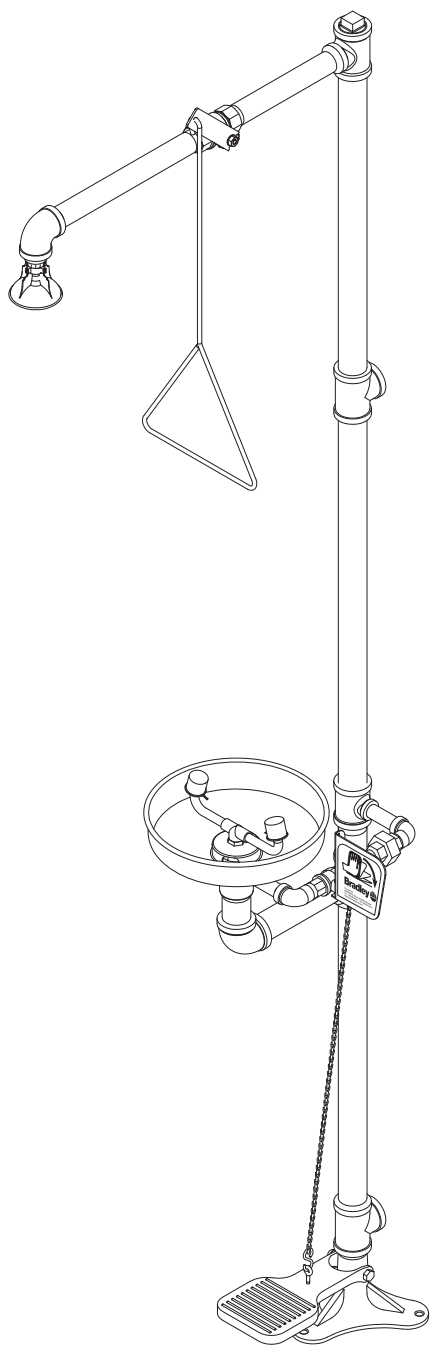
# Installation

## S19-310LL

### Combination Drench Shower and Eyewash

#### Table of Contents

Pre-Installation Information .....	2
Installation Instructions .....	3
Assembly of Components .....	4
Parts List .....	5



## ⚠ IMPORTANT ⚠



Read this installation manual completely to ensure proper installation, then file it with the owner or maintenance department. Compliance and conformity to drain requirements and other local codes and ordinances is the responsibility of the installer.



Separate parts from packaging and make sure all parts are accounted for before discarding any packaging material. If any parts are missing, do not begin installation until you obtain the missing parts.



Flush the water supply lines before beginning installation and after installation is complete. Test the unit for leaks and adequate water flow. Main water supply to the eyewash should be "ON" at all times. Provisions shall be made to prevent unauthorized shutoff.



The ANSI Z358.1 standard requires an uninterrupted supply of flushing fluid at a minimum 30 PSI (0.21 MPa) flowing pressure. Flushing fluid should be tepid per ANSI Z358.1.



The inspection and testing results of this equipment should be recorded weekly to verify proper operation. This equipment should be inspected annually to ensure compliance with ANSI Z358.1.



Workers who may come in contact with potentially hazardous materials should be trained regarding the placement and proper operation of emergency equipment per ANSI Z358.1.



For questions regarding the operation or installation of this product, visit [www.bradleycorp.com](http://www.bradleycorp.com) or call 1-800-BRADLEY.

Product warranties and parts information may also be found under "Products" on our web site at [www.bradleycorp.com](http://www.bradleycorp.com).

# Installation

## Supplies Required:

- (3) 3/8" floor anchors and bolts
- Teflon tape and pipe sealant
- Piping to 1-1/4" NPT water supply inlet and 1-1/4" NPT drain outlet on unit
- Adequate supply pipe supports
- Minimum 4" (102mm) drain to accommodate 30 gallons (115 liters) per minute discharge for shower waste
- OPTIONAL: sign-mounting hardware

*NOTE: Local codes may require the installation of a backflow prevention valve to complete proper installation. Compliance with local codes is the responsibility of the installer. Valve must be tested annually to verify that it is functioning properly. Backflow prevention valves are not included with the fixture and may be supplied by the contractor or purchased from Bradley Corporation.*

### Step 1: Secure base to floor

1. Install three suitable anchors (supplied by installer) for 3/8" bolts in the floor.
2. Bolt the base to the floor anchors using 3/8" bolts (supplied by installer).

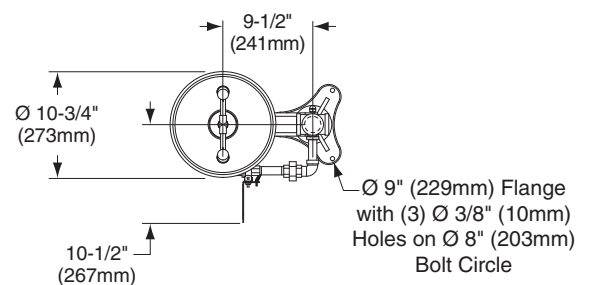
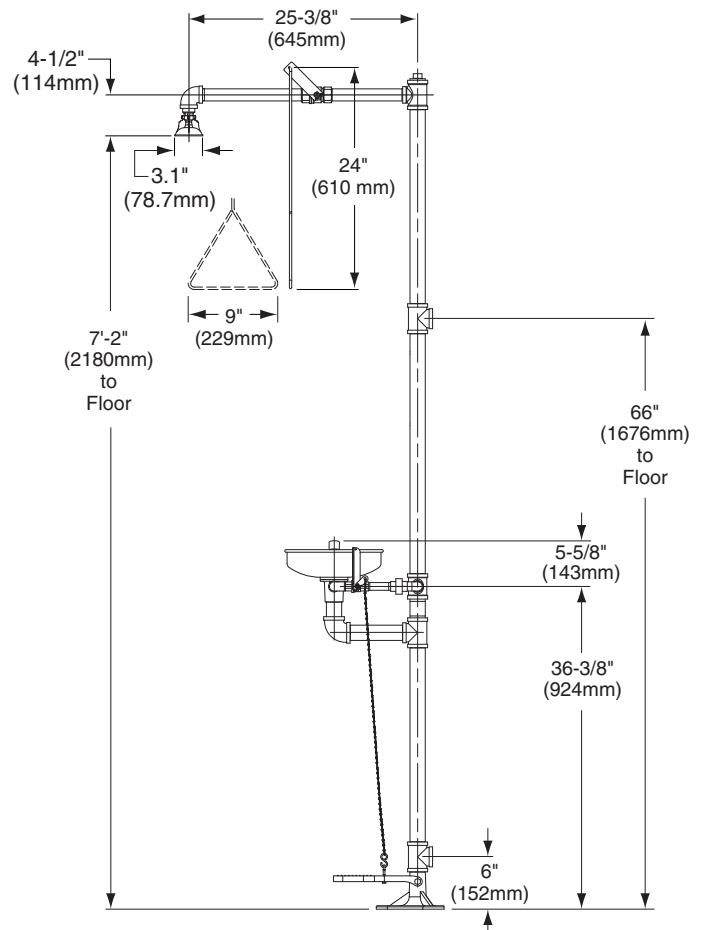
### Step 2: Assemble components

1. Assemble the remaining unit components as shown on page 4.
  - Apply pipe sealant (by installer) to all male-threaded pipe joints.
  - Use the rubber grip pad provided or a strap wrench around pipes when tightening to prevent marring. Place the grip pad on the pipe, then put the wrench over the grip pad and turn the pipe with the wrench.
  - When connecting the steel chain, first connect the chain to the "S" hook on the foot treadle. Then, with the foot treadle raised up, straighten the chain and connect a link to the "S" hook on the valve handle. Make sure the chain is pulled tight. The length of chain will vary.
  - Bottom edge of the showerhead should be 7'-2" (2180mm) from floor.

### Step 3: Connect water supply

**IMPORTANT:** Do not rely on Bradley's Combination Unit to support supply piping.

1. Connect water supply piping to 1-1/4" NPT inlet on unit (piping by installer). Provide adequate supports (by installer) for supply pipe using pipe hangers or other means.
2. Connect drain piping to 1-1/4" NPT drain outlet on unit (piping by installer).
3. Hang the safety sign from the unit with the curtain hooks provided (or mount it to the wall using sign-mounting hardware by installer).



Top View From Bowl

**NOTE:** All dimensions assume standard thread engagement. Variations in manufacturing allow for +/- 1/8" (3mm) per threaded joint. To find the tolerance of a dimension, add the number of thread joints in between a dimension and multiply it by 1/8" (3mm).

# Assembly of Components

NOTE: If tee (Item 7) is used as a supply inlet, use plug (Item 8) on tee (Item 2)

Optional 1-1/4" NPT Supply Inlet (best for rigid support)

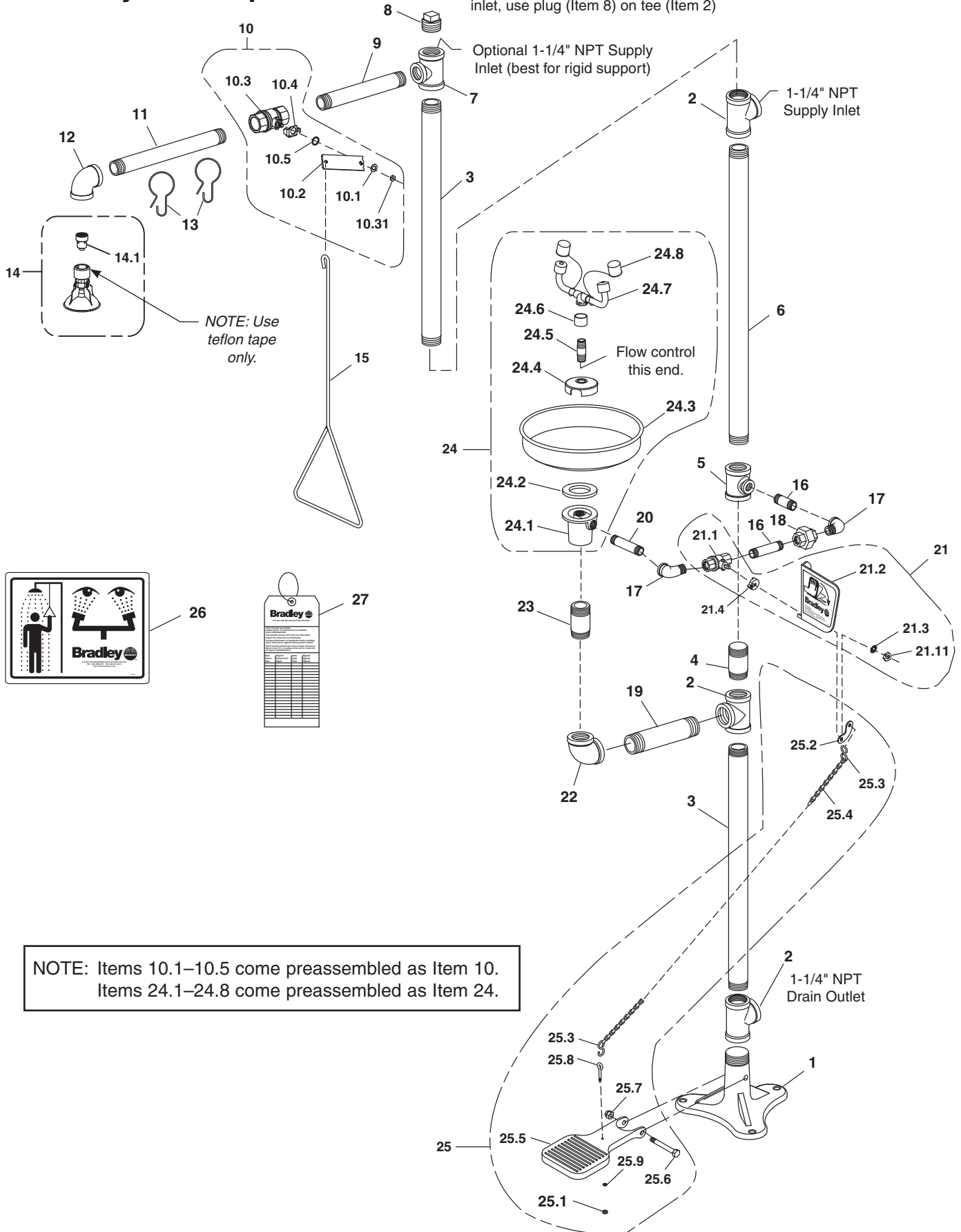
1-1/4" NPT Supply Inlet

Flow control this end.

1-1/4" NPT Drain Outlet

NOTE: Use teflon tape only.

NOTE: Items 10.1–10.5 come preassembled as Item 10.  
Items 24.1–24.8 come preassembled as Item 24.



## Parts List

Item	Part No.	Qty	Description	Item	Part No.	Qty	Description
1	131-059	1	Base	21.1	S27-282	1	1/2" Ball Valve with Jam Nut
2	169-727	3	Pipe Tee 1-1/4" NPT	21.11	110-215	1	Jam Nut only
3	113-006LW	2	Pipe 1-1/4" NPT x 22-1/2"	21.2	S08-336	1	Handle Assembly
4	S06-136	1	Plugged Nipple 1-1/4" IPS x 3"	21.3	142-002DA	1	Lockwasher
5	169-841	1	Reducing Tee	21.4	153-372R	1	Adapter
6	113-006LC	1	Pipe 1-1/4" NPT x 27-1/2"	22	169-764	1	90° Pipe Elbow 1-1/4" NPT
7	169-722	1	Reducing Tee	23	113-006LE	1	Pipe Nipple 1-1/4" NPT x 3"
8	169-724	1	Pipe Plug 1-1/4" NPT	24	S90-285	1	Eyewash Bowl Assembly
9	113-006LL	1	Pipe 1" NPT x 9"	24.1	111-039	1	Inlet-Drain Fitting
10	S30-059	1	Stay-Open Ball Valve 1" NPT	24.2	124-028	1	Center Seal Gasket
10.1	142-002DC	1	Lockwasher	24.3	187-053	1	Dust Cover Assembly
10.2	128-129	1	Handle	24.4	173-009	1	Cup Strainer
10.3	S27-278	1	1" Ball Valve with Jam Nut	24.5	S21-071	1	Stem Pipe Assembly
10.31	110-214	1	Jam Nut only	24.6	113-1159	1	Spacer, Drain
10.4	140-720	1	Stop Bracket	24.7	S05-091	1	Eyewash Yoke
10.5	124-048	1	Washer, Friction	24.8	107-371	2	Tethered Dust Cover
11	113-006LK	1	Pipe 1" NPT x 12"	25	S45-572	1	HFSO Prepack
12	169-847	1	90° Elbow 1" NPT	25.1	161-025	1	Hex Nut
13	151-001	2	Curtain Hook	25.2	128-136	1	Valve handle
14	S24-188	1	Showerhead Assembly	25.3	269-646	2	"S" Hook
14.1	S24-187	1	Flow Control Assembly, 23 GPM	25.4	134-009A	1	Stainless Steel Chain
15	128-156A	1	Pull Rod - 24" Long	25.5	181-008	1	Treadle
16	269-915	1	Grip Pad (not shown)	25.6	160-382	1	Screw
17	169-025	2	Elbow 1/2" NPT	25.7	161-140	1	Nut, Acorn
18	169-726	1	Union 1/2" Female NPT	25.8	147-026	1	Eye Bolt
19	113-006QX	1	Pipe 1-1/4" NPT x 7-3/32"	25.9	142-002BT	1	Lockwasher
20	113-006LQ	3	Pipe 1/2" NPT x 3-1/2"	26	114-052	1	Safety Sign
21	S30-070	1	1/2" Valve/Handle Prepack	27	204-421	1	Emergency Inspection Tag

Prepack S30-071 includes items 21.11, 21.2, 21.3, 21.4