

## COMMANDER®

SC-5851



## Service Sink Fittings

### GENERAL SPECIFICATION

Polished chrome plated cast brass Commander service sink fitting with 1/4 turn ceramic cartridges covered by a 25-year warranty. Integral stops. Cast brass nozzle with 3/4" hose thread and pail hook. Brass vacuum breaker. Brass bottom braces with wall flanges and mounting screws. Distance from finished wall to nozzle outlet is 11-1/2". 8" centers with adjustable threaded brass wall flanges provide +/- 1/4" adjustments. 1/2" NPTF inlets. Meets A112.18.1/CSA B125.1 and ASSE-1001 standards.

**SC-5851**

Vandal-resistant four-arm handles with color-coded indexes.

**SC-5852** 

Vandal-resistant lever handles with color-coded indexes.

**SC-5854** 

Vandal-resistant 4" wrist blade handles with color-coded indexes.

**SC-5856** 

Vandal-resistant 6" wrist blade handles with color-coded indexes.

**SC-5858** 

Vandal-resistant wing handles with color-coded indexes.

### OPTIONS

| SUFFIX                            | DESCRIPTION   |
|-----------------------------------|---|
| <input type="checkbox"/> EC       | RCP eccentric couplings adjust for installations with 4" to 12" centers |
| <input type="checkbox"/> LVB      | Less vacuum breaker (plain end spout)                                   |
| <input type="checkbox"/> MI       | Metal index for handles   |
| <input type="checkbox"/> RCP      | Rough chrome plated finish  |
| <input type="checkbox"/> SEF-9200 | Safety eyewash attachment   |
| <input type="checkbox"/> 5H       | 5' vinyl hose with wall hook  |
| <input type="checkbox"/> 14       | 14" from nozzle outlet to finished wall                                 |

with SEF-9200

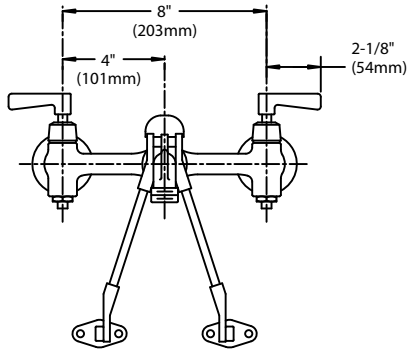


This space for Architect/Engineer approval.

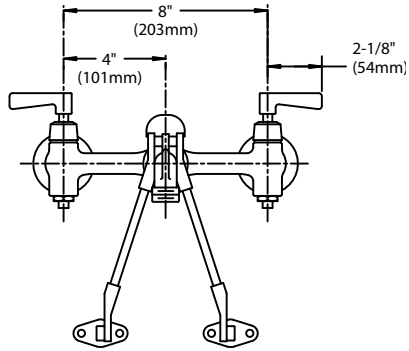


## ROUGH-INS

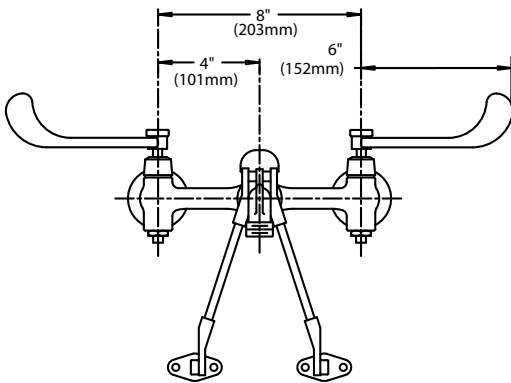
**SC-5851**



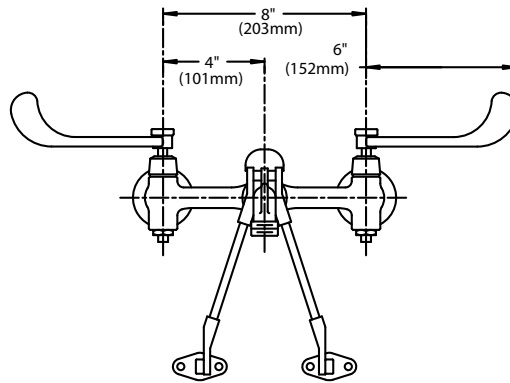
**SC-5852**



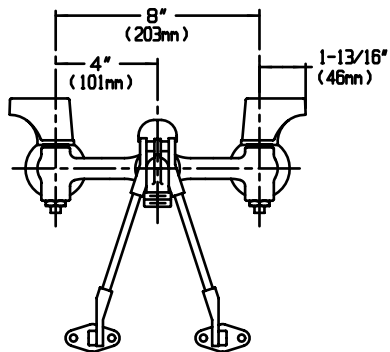
**SC-5854**



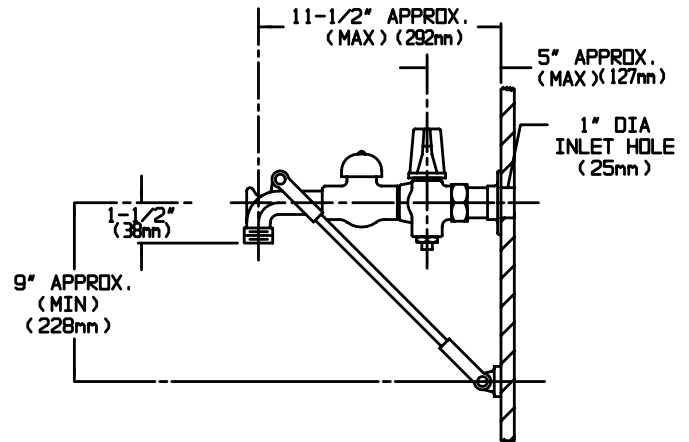
**SC-5856**



**SC-5858**



**Side View**



NOTE: All dimensions are in inches (millimeters) unless otherwise specified and are subject to change without notice. Unless otherwise specified, all inlets are 1/2" NPTF.