





- Halo™ and SpinTec™ Deliver the Most Effective Shower and Eye/Face Washdown Coverage and Spray Pattern
- Exceeds American National Standard Z358.1-2009 Specifications
- Industry's Only Self-Draining Design – The Aquaduct™
- Separate Supply and Waste Pipes – Meets CEN and Plumbing Requirements
- Ergonomic Hand Activation Eyewash Paddle – Easy to Reach from Any Direction
- Fully-Assembled and Factory-Tested Eyewash or Eye/Face Wash with Hinged Dust Covers
- Yellow Transparent Plastic and Stainless Steel Bowl Covers Available
- Antimicrobial Protection
- Barrier Free Options Are Available 
- Universal Identification Sign and Inspection Tag Included
- Classified by Underwriters Laboratories Inc. to ANSI Z358.1-2009.
- Patents Pending

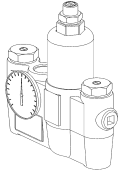
**Specifications**

Standard and Barrier-Free Combination Drench Shower/Eyewash or Eye/Face Wash Units save space and fit easily into any work environment. Shower valve operates quickly by a pull rod with a triangular handle. Shower provides a superior washdown with a more even spray pattern. Halo eyewash or eye/face wash, operated by an ergonomic, highly visible push handle, provides effective wash down coverage and spray pattern. Integral strainer reduces debris in the water and also prevents clogging. Includes antimicrobial protection.

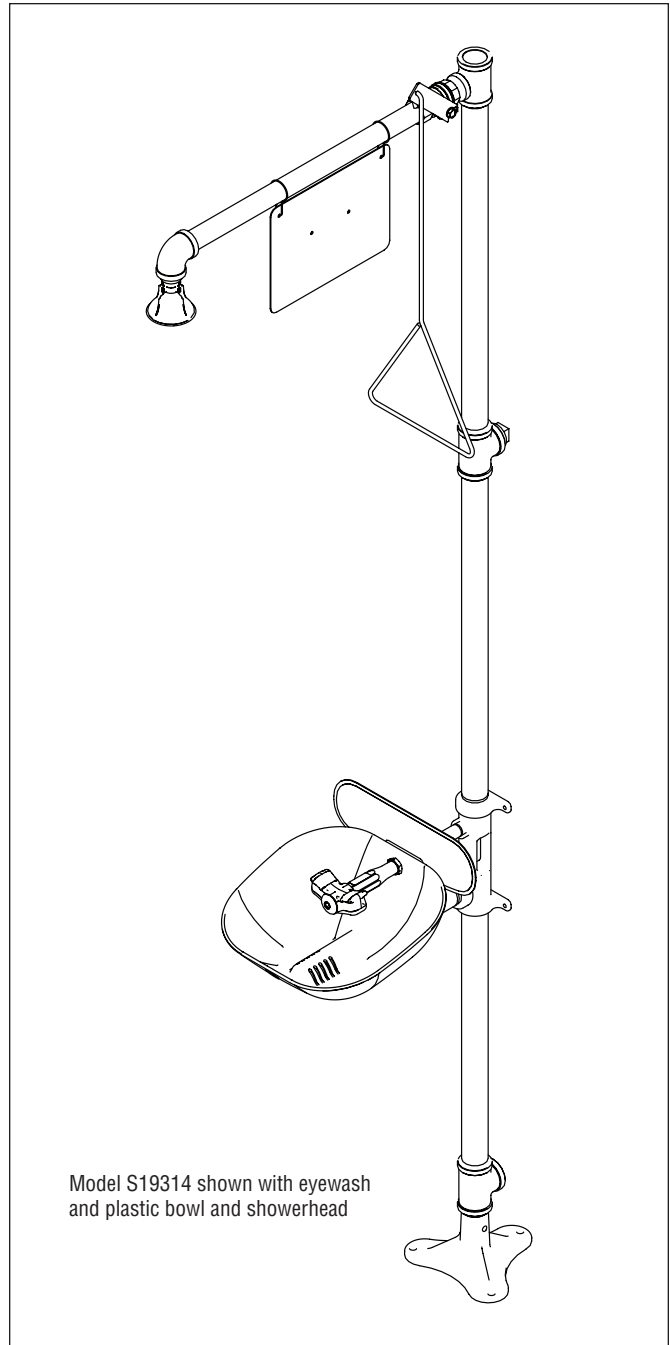
 *This plumbing fixture is not intended to dispense water for human consumption through drinking or for preparation of food or beverages.*



**Recommended Option:**  
 Navigator S19-2100 EFX25  
 Emergency Thermostatic Mixing Valve  
**NAVIGATOR** 



Satisfies ANSI Z358.1-2009  
 tepid water requirements.



## Pipe and Fittings

1¼" piping assembly manufactured of one of the following materials:

- Galvanized steel with BradTect® safety yellow coating
- Type 304 corrosion resistant stainless steel
- Type 316 corrosion-resistant stainless steel
- Chrome plated red brass.

## Ball Valve

1" shower ball valve and ½" stay-open eye and eye/face wash valve manufactured of the following materials and supplied with either type 304 or 316 stainless steel pull rod and handle:

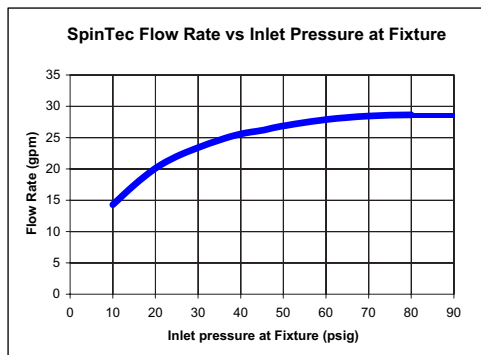
- Chrome-plated brass
- Type 316 stainless steel
- Self-closing shower valve and stay-open eyewash ball valve.



Self-closing shower valve may not meet local requirements for shower activation.

## SpinTec™ Showerhead

Standard showerhead is 3.1" (78.7mm) diameter highly visible yellow impact-resistant plastic. Optional 10" (254mm) diameter yellow impact-resistant plastic or 10¾" (273mm) diameter corrosion-resistant stainless steel shroud. High performance Type 304 or Type 316 corrosion-resistant stainless steel showerhead measures 2" (51mm) in diameter. SpinTec drench showerhead features integral 26 GPM flow control (exceeds minimum water flow of 20 GPM at 30 PSI), conserving water and helping to accurately size your tepid water system.



## Eyewash

The Halo eyewash system offers a high performance rinsing platform that provides rapid relief to an individual's eyes that have been injured by chemicals or particulate. The eyewash provides 4.8 gpm of water at a safe velocity while maintaining its effectiveness (exceeds minimum water flow of 0.4 GPM at 30 PSI). The eyewash is protected by flip open dust covers that open when the product is activated or by a full bowl dust cover that activates the unit when it is opened. Contains an antimicrobial agent to protect the Halo eyewash. Safe, steady water flow under varying water supply conditions from 30–90 PSI is assured by integral flow control in the sprayhead assembly.

## Eye/Face Wash

The Halo eye/face wash system offers a high performance rinsing platform that provides rapid relief to an individual's eyes and face that have been injured by chemicals or particulate. This system provides the most complete face wash available in the market. The eye/face wash provides 4.8 gpm of water at a safe velocity while maintaining its effectiveness (exceeds minimum water flow of 0.4 GPM at 30 PSI). The eye/face wash is protected by flip open dust covers that open when the product is activated or by a full bowl dust cover that activates the unit when it is opened. Contains an antimicrobial agent to protect the Halo eye/face wash. Safe, steady water flow under varying water supply conditions from 30–90 PSI is assured by integral flow control in the sprayhead assembly.

## Bowl and Dust Cover

Bowl is constructed of yellow impact-resistant plastic, Type 304 corrosion-resistant stainless steel or Type 316 corrosion-resistant stainless steel. Dust cover is constructed of transparent yellow impact-resistant plastic, Type 304 corrosion-resistant stainless steel or Type 316 corrosion-resistant stainless steel.

## Activation

Type 304 Stainless steel push handle with optional aluminum or type 304 stainless steel foot pedal. Type 316 stainless steel push handle with optional Type 316 stainless steel foot pedal.

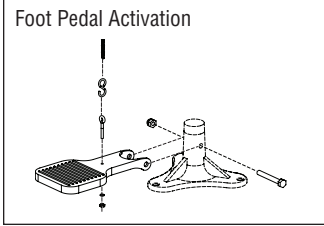
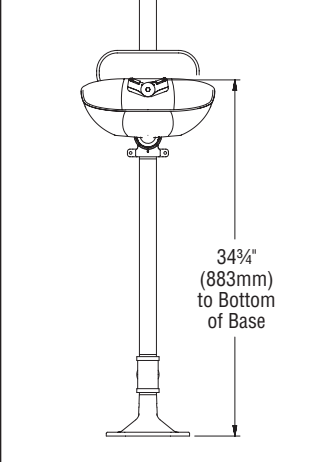
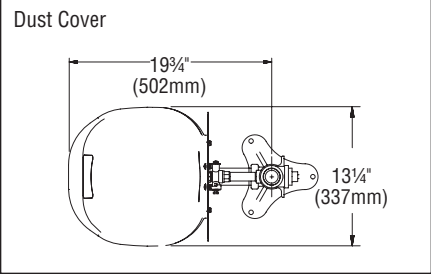
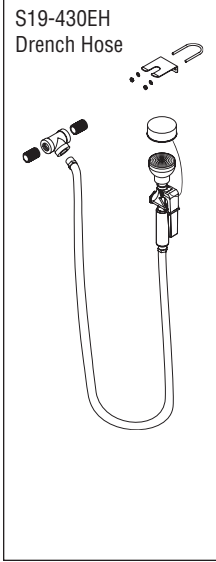
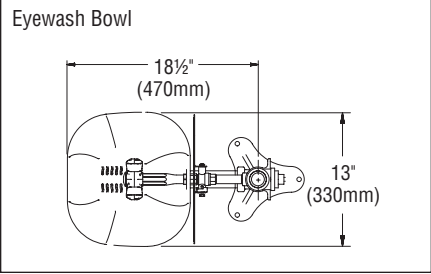
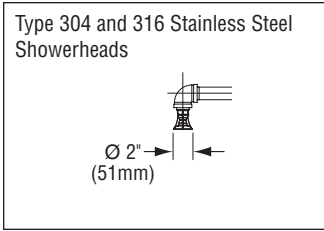
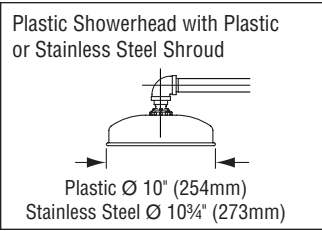
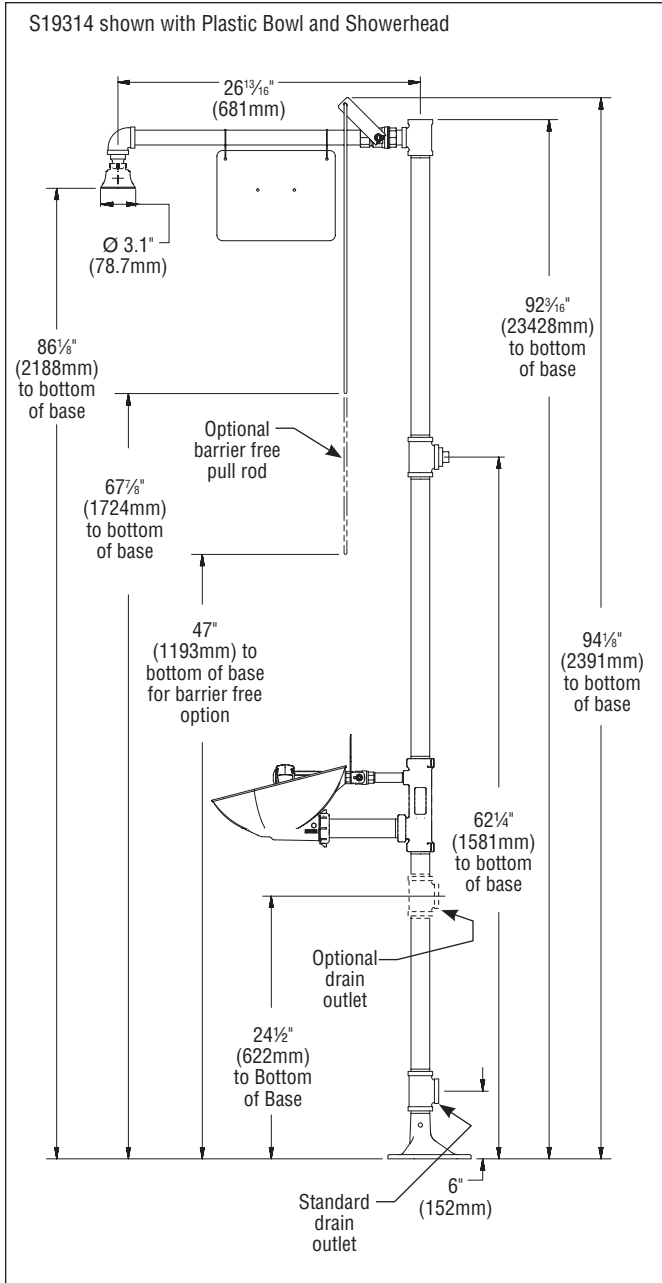
## Drench Hose

Perforated sprayhead with protective sprayhead cover is ABS plastic and provides soft spray for cleansing eyes and face. Chrome-plated brass valve with extended handle stays open once handle is squeezed. 8' (2438mm) yellow reinforced thermoplastic hose has ¾" NPT male thread. Burst strength is 450 PSI. Attachment Kit includes ½" NPT supply, fittings and hanger for attaching hose to eyewashes or drench showers. The sprayhead contains an antimicrobial agent to protect the sprayhead.

## Backflow Prevention

Series N9 dual-check backflow preventer has a chrome-nickel plated brass body and includes atmospheric vent for continuous pressure applications. The check valve comes with ¾" female dual NPT female inlet and outlet connections. It can sustain a maximum pressure of 125 PSI (8.6 bars). The check valve is certified to CSA B64.8.

Series 9D dual-check backflow preventer with intermediate atmospheric vent can be used under continuous pressure. The primary check valve uses a rubber disc seating adjacent to a mating rubber part to ensure tight closing. A second check valve employs a rubber disc-to-metal seating.



All dimensions assume standard thread engagement. Variations in manufacturing allow for +/- 1/8" (3mm) per threaded joint. To find the tolerance of a dimension, add the number of thread joints across the length of the dimension and multiply it by 1/8" (3mm).

<b>Standard Selections</b> (Must select one from each category)	
<b>Configuration</b>	
<input type="checkbox"/> <b>A</b>	Barrier Free
<input type="checkbox"/> <b>B</b>	24" Drain Height
<input type="checkbox"/> <b>C</b>	24" Drain Height, Barrier Free
<input type="checkbox"/> <b>O</b>	Standard, 6" Drain Height
<b>Pipe Material</b>	
<input type="checkbox"/> <b>A</b>	NPT, Yellow BradTect Galvanized Steel
<input type="checkbox"/> <b>B</b>	NPT, All 304 Stainless Steel
<input type="checkbox"/> <b>C</b>	NPT, All 316 Stainless Steel*
<input type="checkbox"/> <b>D</b>	NPT, Chrome-Plated
<b>Ball Valve</b>	
<input type="checkbox"/> <b>1</b>	Stay-Open Shower and Eyewash, Chrome-Plated Brass
<input type="checkbox"/> <b>2</b>	Stay-Open Shower and Eyewash, 316 SS
<input type="checkbox"/> <b>3</b>	Self-Closing Shower and Stay-Open Eyewash, Chrome-Plated Brass**
<b>Showerhead</b>	
<input type="checkbox"/> <b>A</b>	<b>Plastic Showerhead</b>
<input type="checkbox"/> <b>B</b>	Plastic Showerhead with Plastic Shroud
<input type="checkbox"/> <b>C</b>	Plastic Showerhead with Stainless Steel Shroud
<input type="checkbox"/> <b>D</b>	304 SS High Performance Showerhead
<input type="checkbox"/> <b>E</b>	316 SS High Performance Showerhead
<b>Eyewash – Eye/Face Wash</b>	
<input type="checkbox"/> <b>A</b>	<b>Halo Eyewash</b>
<input type="checkbox"/> <b>B</b>	Halo Eye/Face Wash
<input type="checkbox"/> <b>D</b>	Halo Eyewash, 304 SS Yoke
<input type="checkbox"/> <b>E</b>	Halo Eye/Face Wash, 304 SS Yoke
<input type="checkbox"/> <b>G</b>	Halo Eyewash, 316 SS Yoke
<input type="checkbox"/> <b>H</b>	Halo Eye/Face Wash, 316 SS Yoke

<b>Bowl and Dust Cover</b>	
<input type="checkbox"/> <b>A</b>	Plastic Bowl, No Dust Cover
<input type="checkbox"/> <b>B</b>	Plastic Bowl, Plastic Dust Cover
<input type="checkbox"/> <b>D</b>	304 SS, No Dust Cover
<input type="checkbox"/> <b>E</b>	304 SS, 304 SS Dust Cover
<input type="checkbox"/> <b>F</b>	304 SS, Plastic Dust Cover
<input type="checkbox"/> <b>G</b>	316 SS, No Dust Cover
<input type="checkbox"/> <b>H</b>	316 SS, 316 SS Dust Cover
<input type="checkbox"/> <b>J</b>	316 SS, Plastic Dust Cover
<input type="checkbox"/> <b>O</b>	No Bowl or Dust Cover
<b>Activation</b>	
<input type="checkbox"/> <b>A</b>	<b>304 SS Handle</b>
<input type="checkbox"/> <b>B</b>	316 SS Handle
<input type="checkbox"/> <b>C</b>	304 SS Handle with Aluminum Foot Pedal*
<input type="checkbox"/> <b>D</b>	304 SS Handle with Stainless Steel Foot Pedal*
<input type="checkbox"/> <b>E</b>	316 SS Handle with 316 Stainless Steel Foot Pedal*
<b>Drench Hose and Backflow Prevention</b>	
<input type="checkbox"/> <b>A</b>	Drench Hose Kit with Vacuum Breaker
<input type="checkbox"/> <b>B</b>	Drench Hose Kit with N9 Backflow Preventer
<input type="checkbox"/> <b>C</b>	Drench Hose Kit with 9D Backflow Preventer
<input type="checkbox"/> <b>D</b>	Drench Hose Kit without Backflow Preventer
<input type="checkbox"/> <b>O</b>	No Drench Hose and No Backflow Prevention
<b>Freeze and Scald Protection</b>	
<input type="checkbox"/> <b>N</b>	Anti-Freeze Valve
<input type="checkbox"/> <b>P</b>	Anti-Scald Valve
<input type="checkbox"/> <b>R</b>	Anti-Freeze and Anti-Scald Valves
<input type="checkbox"/> <b>O</b>	No Anti-Freeze Valve and No Anti-Scald Valve

\* Not available with barrier-free configurations.

\*\* Self-closing valves are not ANSI Z358.1 compliant.

