

- Complies with American National Standard Z358.1-2004
- Galvanized Steel Protected with BRADTECT™ Safety Yellow Coating
- Flush-Mounted with Concealed Pipe and Fittings
- Universal Identification Sign and Inspection Tag Included
- Full, One-Year Warranty
- Patent Pending



Specifications

Integral flange mounts flush with finished ceiling. Showerhead and shower pull rod are stainless steel. Galvanized steel piping is additionally protected with BRADTECT™ safety yellow coating. Shower provides a superior washdown with a more even spray pattern.

- Drench shower is designed to accommodate standard 8' ceiling height. ANSI Z358.1 compliant drench showers are mounted between 82"-96" from the lower edge of the showerhead or shroud to the floor.

cUPC Approved:

Model S19-120FM is certified to comply with the requirements of the Uniform Plumbing Code and the National Plumbing Code of Canada by the International Association of Plumbing and Mechanical Officials (IAPMO).

Standard Equipment

SpinTec™ Showerhead

3.1" (78.7mm) diameter highly visible yellow impact-resistant plastic. SpinTec drench showerhead features integral 23 GPM flow control, conserving water and helping to accurately size your tepid water system.

Shower Valve

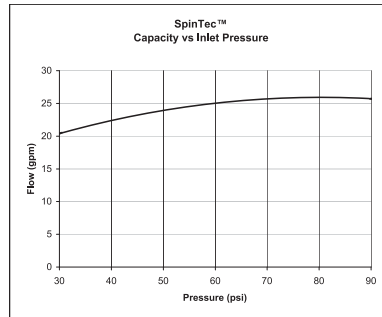
Chrome-plated brass 1" NPT stay-open ball valve. Operated by stainless steel pull rod with triangular handle.

Pipe and Fittings

Concealed galvanized steel with BRADTECT™ safety yellow coating.

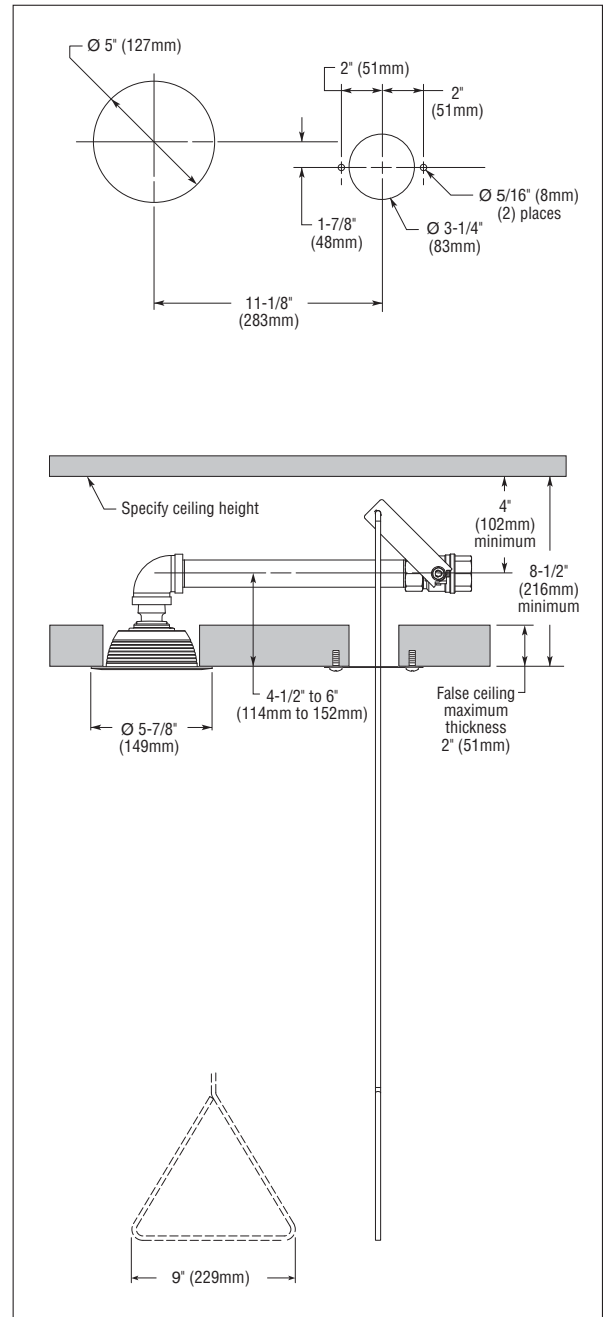
Water Supply

1-1/4" NPT horizontal.



Recommended Option:
Navigator S19-2100 EFX25
Emergency Thermostatic Mixing Valve

Satisfies ANSI Z358.1-2004 tepid water requirements.



| Model | Description |
|------------------------------------|---|
| <input type="checkbox"/> S19-120FM | Flush-Mounted Drench Shower w/ Horizontal Supply |
| <input type="checkbox"/> S19-2100 | Navigator EFX25 - Emergency Thermostatic Mixing Valve |