

SPECIFICATION SUBMITTAL SHEET



FEATURES

- Sizes: 1/2" 3/4" 1" 1-1/4" 1-1/2" 2"
- Maximum working water pressure 175 PSI
 Maximum working water temperature 180°F
 Hydrostatic test pressure 350 PSI
 End connections Threaded FNPT ANSI B1.20.1

OPTIONS

(Suffixes can be combined)

- with full port QT ball valves (standard)
- L - less ball valves, male pipe thread
- XL - with low lead ball valves (See 375XL)
- S - with bronze "Y" type strainer
- SH - with stainless steel handles
- SE - with street elbows
- FT - with integral male 45° flare SAE test fitting
- AG - with air gap
- SAG - with bronze "Y" strainer and air gap
- BOF - with Blow out/Flush fitting
- B - with black fusion epoxy coated ball valves & struts for theft protection

ACCESSORIES

- Repair kits
- Thermal expansion tank (Mdl. XT)
- Soft seated check valve (Mdl. 40XL)
- Shock arrester (Model 1250XL)
- QT-SET Quick Test Fitting Set
- Test Cock Lock (Model TCL24)
- Blow out / Flush fitting (RK34-375BOF (1/2" or 3/4"), RK1-375BOF or RK114-350-375BOF)

DIMENSIONS & WEIGHTS (do not include pkg.)

MODEL 375 SIZE	DIMENSIONS (approximate)																				WEIGHT				
	A		A LESS BALL VALVES		B		C		D		E		F		G		H		J		LESS BALL VALVES		WITH BALL VALVES		
	in.	mm	in.	mm	in.	mm	in.	mm	in.	mm	in.	mm	in.	mm	in.	mm	in.	mm	in.	mm	in.	mm	lbs.	kg	lbs.
1/2	20	8 7/8	225	n/a	n/a	1 15/16	49	1 5/8	41	2 15/16	75	3 7/8	98	12 1/4	311	3	76	10 7/8	276	12 1/4	311	4.7	2.1	5.7	2.6
3/4	20	8 7/8	225	7 1/8	181	1 15/16	49	1 5/8	41	2 15/16	75	3 7/8	98	12 5/8	321	3	76	11	279	12 1/4	311	4.7	2.1	5.7	2.6
1	25	11 3/16	284	8 7/8	225	2 1/4	57	2 1/4	57	3 7/16	87	4	102	14 9/16	370	4	102	13 3/4	349	15 1/4	387	8.2	3.7	9.7	4.4
1-1/4	32	14 7/8	378	14 3/8	367	3 3/8	86	3 3/8	86	3 3/4	95	5 3/4	146	20 1/2	521	3 3/4	95	18	457	18 1/2	470	18.7	8.5	20.5	9.3
1-1/2	40	15 1/4	387	14 3/8	367	3 3/8	86	3 3/8	86	3 3/4	95	5 3/4	146	22	559	4 1/2	114	18 3/4	476	20 1/4	514	18.3	8.0	21.5	9.8
2	50	16	406	14 3/8	367	3 3/8	86	3 3/8	86	3 3/4	95	5 3/4	146	24	610	4 3/4	120.7	20 3/4	527	20 3/4	527	19.4	8.8	23.5	10.7

APPLICATION

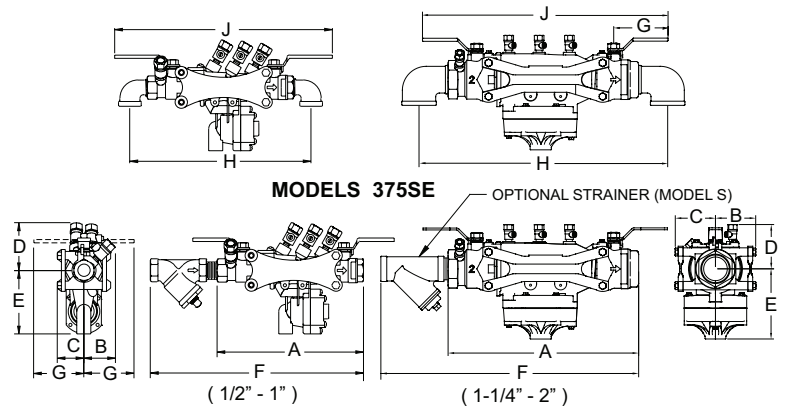
Designed for installation on potable water lines to protect against both backsiphonage and backpressure of contaminated water into the potable water supply. Assembly shall provide protection where a potential health hazard exists.

STANDARDS COMPLIANCE

- ASSE® Listed 1013 (3/4" - 2")
- IAPMO® Listed
- CSA B64.4
- AWWA compliant C511
- Approved by the Foundation for Cross Connection Control and Hydraulic Research at the University of Southern California
- UL® Classified (less shut-off valves only, 3/4"-2")
- C-UL® Classified (less shut-off valves only, 3/4"-2")

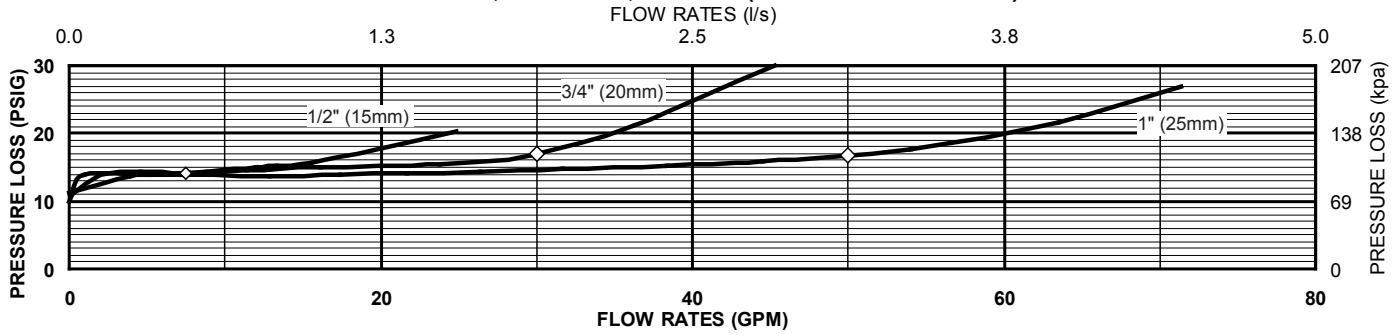
MATERIALS

- | | |
|-------------|--|
| Housing | Reinforced Nylon, FDA approved |
| Fasteners | Stainless Steel, 300 Series |
| Elastomers | Silicone (FDA Approved)
Buna Nitrile (FDA Approved) |
| Internals | Delrin, Nylon, NSF Listed |
| Springs | Stainless steel, 300 series |
| Ball Valves | Cast Bronze, ASTM B 584 |
| Struts | Forged Brass, ASTM B 124 |

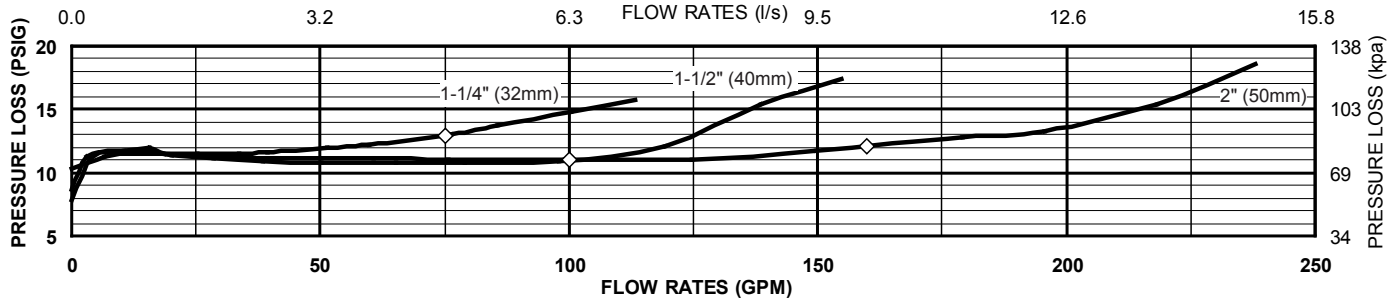


FLOW CHARACTERISTICS

MODEL 375, 375XL 1/2", 3/4" & 1" (STANDARD & METRIC)



MODEL 375, 375XL 1-1/4" - 2" (STANDARD & METRIC)

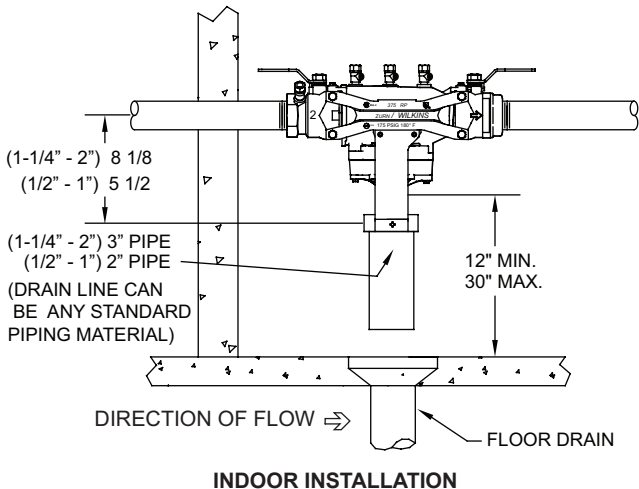


◇ Rated Flow (Established by approval agencies)

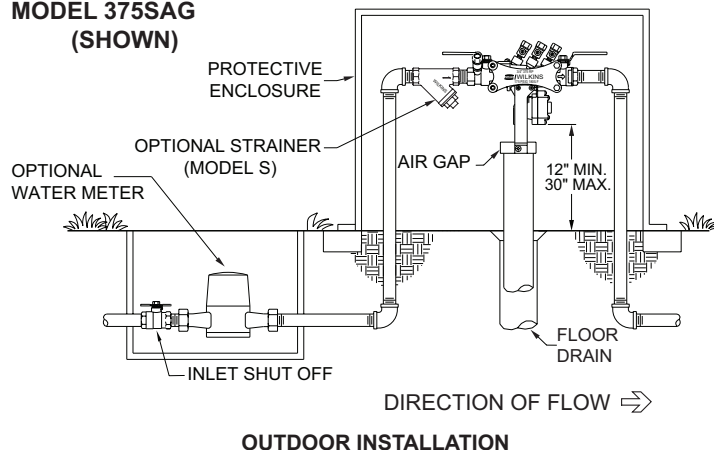
TYPICAL INSTALLATION

Local codes shall govern installation requirements. To be installed in accordance with the manufacturers' instructions and the latest edition of the Uniform Plumbing Code. Unless otherwise specified, the assembly shall be mounted at a minimum of 12" (305mm) and a maximum of 30" (762mm) above adequate drains with sufficient side clearance for testing and maintenance. The installation shall be made so that no part of the unit can be submerged.

Capacity thru Schedule 40 Pipe				
Pipe size	5 ft/sec	7.5 ft/sec	10 ft/sec	15 ft/sec
3/8"	3	4	6	9
1/2"	5	7	9	14
3/4"	8	12	17	25
1"	13	20	27	40
1 1/4"	23	35	47	70
1 1/2"	32	48	63	95
2"	52	78	105	167



MODEL 375SAG (SHOWN)



SPECIFICATIONS

The Reduced Pressure Principle Backflow Preventer shall be ASSE® Listed 1013, rated to 180°F and supplied with full port ball valves. The main body shall be Nylon and the seat disc elastomers shall be silicone. If installed indoors, the installation shall be supplied with an air gap adapter. The Reduced Pressure Principle Backflow Preventer shall be a WILKINS Model 375.

WILKINS a Zurn company, 1747 Commerce Way, Paso Robles, CA 93446 Phone: 805-238-7100 Fax: 805-238-5766

IN CANADA: ZURN INDUSTRIES LIMITED, 3544 Nashua Dr., Mississauga, Ontario L4V 1L2 Phone: 905-405-8272 Fax: 905-405-1292

Product Support Help Line: 877-BACKFLOW (877-222-5356) • Website: <http://www.zurn.com>