

Sloan® Model Flushometer

113/114
115/116

► Description

Exposed Water Closet Flushometer for floor mounted or wall hung top spud bowls.

► Flush Cycle

- Models 113/114/115/116 Water Saver (3.5 gpf/13.2 Lpf)
- Models 113/114/115/116-1.6 Low Consumption (1.6 gpf/6.0 Lpf)

► Variations

- TP** Trap Primer
- DFB** Dual Filtered Fixed Bypass Diaphragm
- YI** Two Wall Bumpers (for open front seat without cover)
- YJ** Split Ring Pipe Support
- YK** Solid Ring Pipe Support

► Specifications

Quiet, Exposed, Diaphragm Type, Chrome Plated Closet Flushometer with the following features:

- High Chloramine Resistant PERMEX™ Synthetic Rubber Diaphragm with Linear Filtered Bypass and Vortex Cleansing Action™
- ADA Compliant Metal Oscillating Non-Hold-Open Handle with Triple Seal Handle Packing
- 1" I.P.S. Screwdriver Bak-Chek™ Angle Stop
- Vandal Resistant Stop Cap
- Adjustable Tailpiece
- Vacuum Breaker with Flush Connection
- Spud Coupling and Spud Flange for 1½" Top Spud
- Sweat Solder Adapter with Cover Tube and Cast Wall Flange
- High Copper, Low Zinc Brass Castings for Dezincification Resistance
- Non-Hold-Open Handle and No External Volume Adjustment to Ensure Water Conservation
- Low Consumption flush accuracy
- Handle Packing, Stop Seat and Vacuum Breaker Molded from PERMEX™ Rubber Compound for Chloramine Resistance

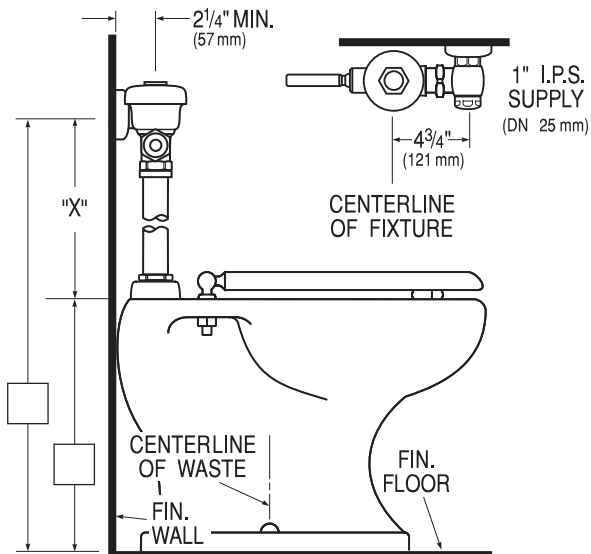
Valve Body, Cover, Tailpiece and Control Stop shall be in conformance with ASTM Alloy Classification for Semi-Red Brass. Valve shall be in compliance to the applicable sections of ASSE 1037, ANSI/ASME A112.19.2 and Military Specification V-29193.

► Contractor-friendly Packaging

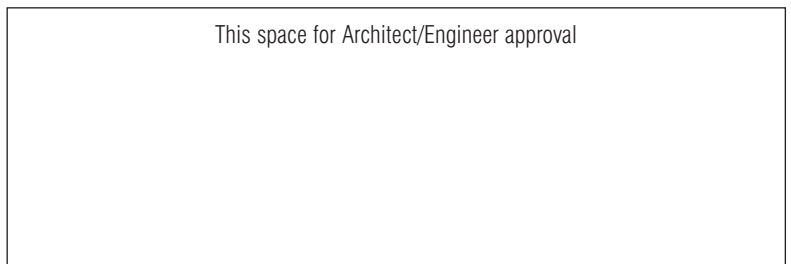
Installation time is reduced by packaging rough-in components and finishing components separately. In addition, all main valve components and subassemblies are factory assembled requiring less field assembly of the valve on the job site. Components are packaged as follows:

- Stops and Supply Kits, packaged separately — 6 per package
- Fully assembled Valve, packaged with complete Vacuum Breaker Assembly and Flange Kit — 2 per package

See Accessories Section of the Sloan catalog for details on these and other Flushometer variations.



"X" = Model 113 — 16" (406 mm)
 Model 114 — 34³/₈" (873 mm)
 Model 115 — 24" (610 mm)
 Model 116 — 27" (686 mm)



The information contained in this document is subject to change without notice.

SLOAN®

Made in the U.S.A.

SLOAN VALVE COMPANY • 10500 SEYMOUR AVE. • FRANKLIN PARK, IL. 60131
 Ph: 1-800-9-VALVE-9 or 1-847-671-4300 • Fax: 1-800-447-8329 or 1-847-671-4380

www.sloanvalve.com