



TEMP-GARD III SHOWER UNIT

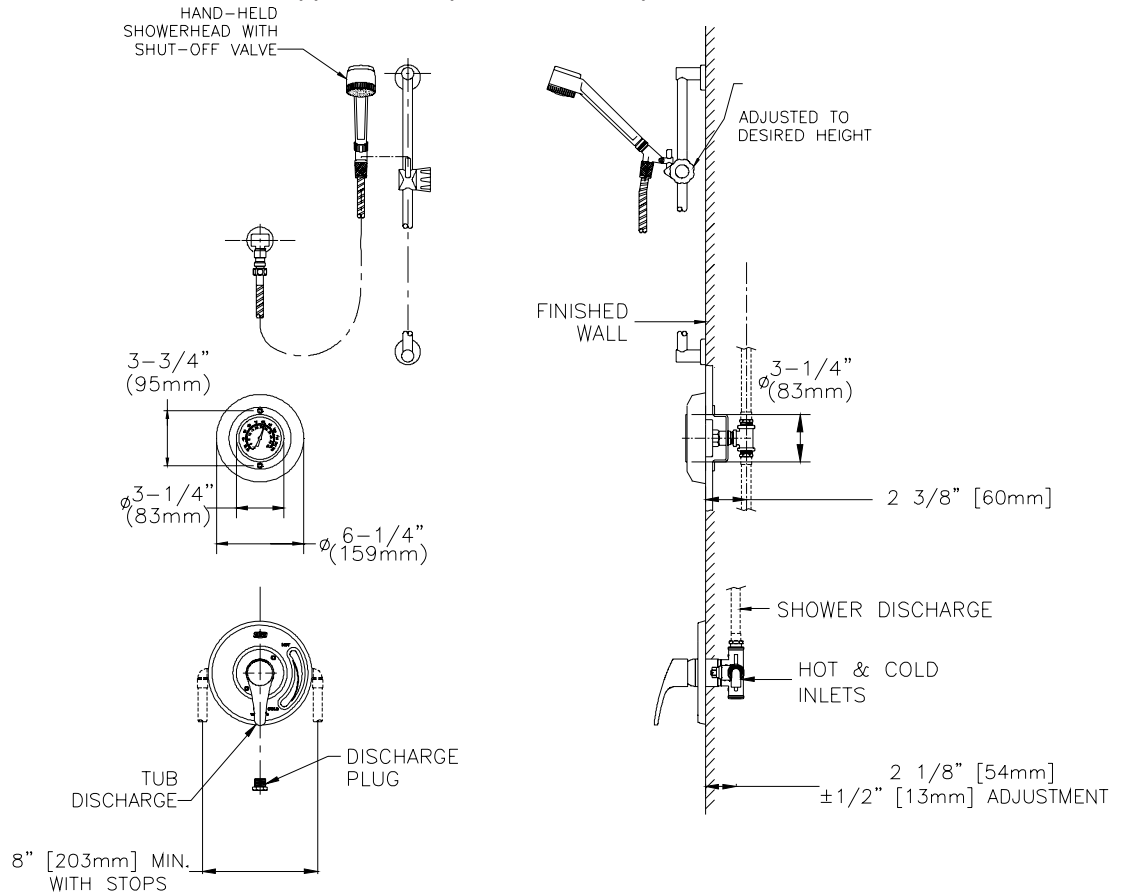
Z7300-SS-MT-DT-HW2-H2-QD-VB

TAG



ENGINEERING SPECIFICATIONS: ZURN Z7300-SS-MT-DT-HW2-H2-QD-VB

Single handle pressure balancing mixing shower unit, ceramic control cartridge with stainless steel balancing piston, built in reverse connection capability (To reverse the hot and cold inlets, simply remove cartridge and turn 180°), two service stops/check stops, and adjustable limit stop. Also supplied with 3-1/4" bi-metallic dial thermometer. All exposed trim and handle are metal with polished nickel chrome plated surface. Supplied with hand-held shower with shut-off lever, 69" flexible metal hose, 24" mounting slide bar wall connection, quick disconnect, and in-line vacuum breaker. The valve body is a four port valve with a tub port plug included for shower only applications. The valve inlets and outlets are all standard with 1/2" NPT female thread connections. The 1/2" copper sweat options must be specified as shown below.



Note: All dimensions are for reference only. Do not use for pre-plumbing. Parts shown as hidden lines are supplied by others.

OPTIONS (Check/specify appropriate options) Use with Z7300 prefix

Suffix	Description
___ -CPVC	1/2" Male NPT by CPVC Female Adaptors, shipped loose to be installed in the field.
___ -EXT	Extension Kit, Extends Valve Out by 1".
___ -PEX	1/2" Male NPT by PEX Adaptors, shipped loose to be installed in the field.
___ -SSC	1/2" Female Copper Sweat Connections w/ Service Stops
___ -ST	Sierra Series Decorative Metal Trim
___ -WF	Wall Mounting Flange For Fiberglass or Panel Wall Installation

Additional Options

___ Z7000-SC	Pair of Dual Spring Check Valves
___ Z7000-S5	Large Brass Shower Head with Spray Adjustment
___ Z7000-S6	Small Brass Shower Head with Spray Adjustment

ZURN INDUSTRIES, LLC ♦ COMMERCIAL BRASS OPERATION ♦ 2640 SOUTH WORK STREET ♦ FALCONER NY 14733

Phone: 1-716-665-1132 ♦ Fax: 1-716-665-1135 ♦ World Wide Web: www.zurn.com

In Canada: ZURN INDUSTRIES LIMITED ♦ 3544 Nashua Drive ♦ Mississauga, Ontario L4V1L2 ♦ Phone: 905/405-8272 Fax: 905/405-1292