



# AQUA-PANEL SHOWER UNIT

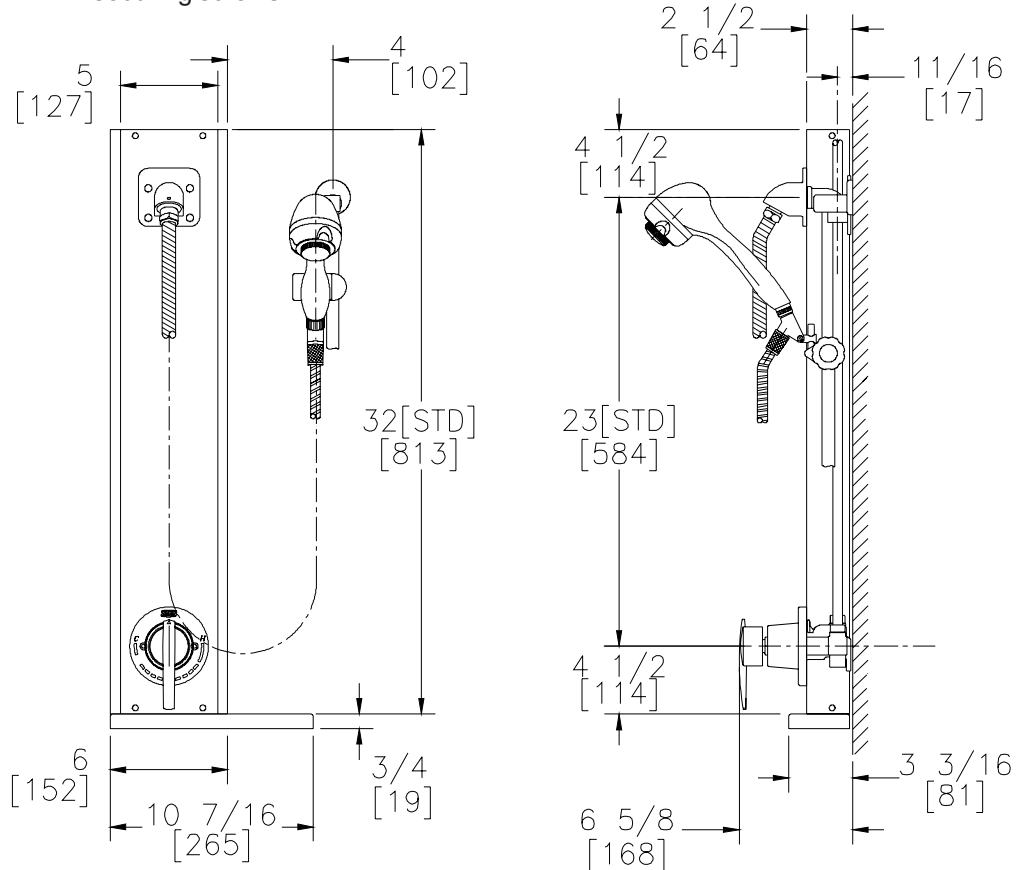
## Z7500-HW

### TAG \_\_\_\_\_



#### ENGINEERING SPECIFICATIONS: ZURN Z7500-HW

Prefabricated stainless steel shower unit, consisting of the TEMP-GARD pressure balancing shower valve with single bronze stem, stainless steel balancing piston, & bottom access integral service stops. Unit includes: handwall shower unit complete with 24"[610mm] mounting bar, 60"[1524mm] metal hose and standard handset. Standard with 1/2" copper tubing assembly enclosed by 18 gage stainless steel #4 brushed finish shroud, metal stem handle, side mount soap dish, & all vandal proof securing screws.



Note: All dimensions are for reference only. Do not use for pre-plumbing

#### OPTIONS (Check/specify appropriate options)

Suffix	Description
___ -LS	Less Soap Dish
___ -HW	Handwall Units (See Z7000-HW)
___ -QD	Quick Disconnect in-line Hose Connector
___ -TC	Matching Shroud Extension to Cover Thru Ceiling Piping (Specify extension height)
___ -TH	Matching Shroud Cover for Concealed Horizontal Piping (Application drawings available for custom installations)
___ -14	14 Gage Stainless Steel Shroud
___ -16	16 Gage Stainless Steel Shroud

#### STANDARDS

Tested to meet the following standards for valves and plumbing fittings:  
Shower heads meet ASME A112.18.1/CSA B125.1  
Meets or Exceeds ANSI A117.1M standard for physically handicapped



ZURN INDUSTRIES, LLC ♦ COMMERCIAL BRASS OPERATION ♦ 2640 SOUTH WORK STREET ♦ FALCONER NY 14733

Phone: 1-716-665-1132 ♦ Fax: 1-716-665-1135 ♦ World Wide Web: www.zurn.com

In Canada: ZURN INDUSTRIES LIMITED ♦ 3544 Nashua Drive ♦ Mississauga, Ontario L4V1L2 ♦ Phone: 905/405-8272 Fax: 905/405-1292