

Dolphin® Model Flushometer 180-1.0

Description

Exposed Urinal Flushometer for 1¼" top spud urinals. Specifically engineered for salt water and severe water conditions.

Flush Cycle

Model 180-1.0 (factory set at 1.0 gpf/3.8 Lpf)

Valve Adjustment Range: 0.25 gpf/0.9 Lpf to 12.0 gpf/45.4 Lpf

Factory settings made at 40 psi (275 kPa) — flush volume will vary with pressure and flow rate.

Specifications

Quiet, Exposed, Chrome Plated Urinal Flushometer with the following features:

- Metal Lever Handle
- 1" I.P.S. Screwdriver Bak-Chek® Angle Stop
- Locking Vandal Resistant Stop Cap
- Adjustable Tailpiece
- Vacuum Breaker Flush Connection
- Spud Coupling and Flange for 1¼" Top Spud
- Flushometer does not require water pressure to positively shut off
- High Copper, Low Zinc Brass Castings for Dezincification Resistance
- 100% of the energy used in manufacturing is offset with Renewable Energy Sources — Wind Energy

Valve Body, Cover, Tailpiece and Control Stop shall be in conformance with ASTM Alloy Classification for Red Brass. Valve shall be in compliance to the applicable sections of ASSE 1037.

Variations

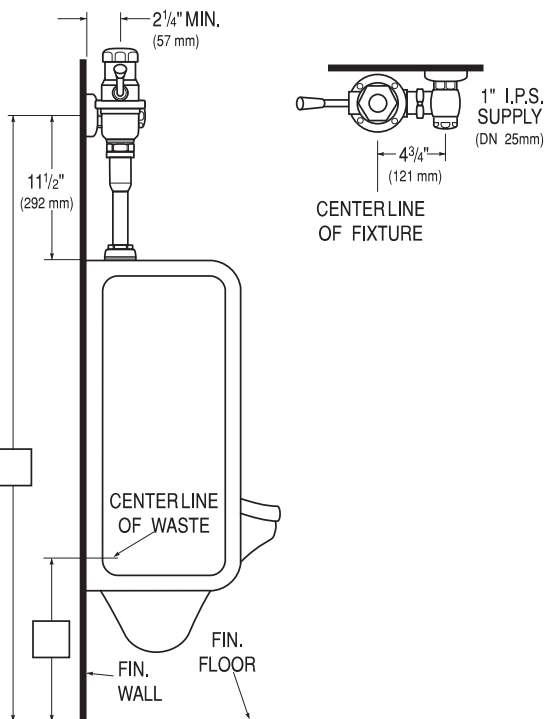
GJ Ground Joint Stop

XD Less Supply Stop

XYV Less Vacuum Breaker

Ground Joint Stop (GJ) recommended for salt water applications. Vacuum Breaker usually not required when used with non-potable water (specify XYV Variation).

See Accessories Section of the Sloan catalog for details on these and other Flushometer variations.



This space for Architect/Engineer approval

Job Name _____ Date _____

Model Specified _____ Quantity _____

Variations Specified _____

Customer/Wholesaler _____

Contractor _____

Architect _____

The information contained in this document is subject to change without notice.



SLOAN VALVE COMPANY • 10500 SEYMOUR AVE. • FRANKLIN PARK, IL. 60131
 Ph: 1-800-982-5839 or 1-847-671-4300 • Fax: 1-800-447-8329 or 1-847-671-4380
www.sloanvalve.com