

Installation

S19-310SC

Combination Drench Shower and Eye/Face Wash

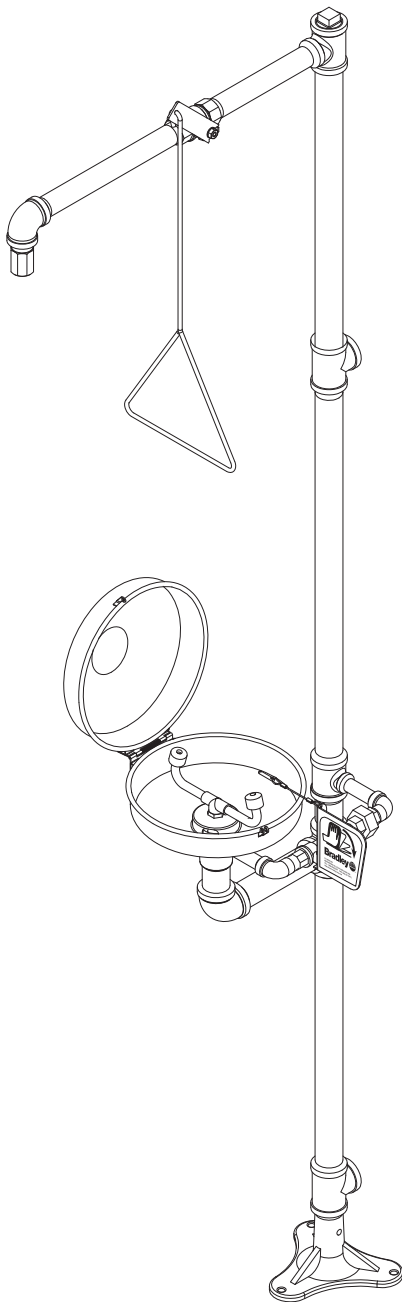


Table of Contents

Pre-Installation Information	2
Installation Instructions	3
Assembly of Components	4
Parts List	5

 **IMPORTANT** 



Read this installation manual completely to ensure proper installation, then file it with the owner or maintenance department. Compliance and conformity to drain requirements and other local codes and ordinances is the responsibility of the installer.



Separate parts from packaging and make sure all parts are accounted for before discarding any packaging material. If any parts are missing, do not begin installation until you obtain the missing parts.



Flush the water supply lines before beginning installation and after installation is complete. Test the unit for leaks and adequate water flow. Main water supply to the eyewash should be "ON" at all times. Provisions shall be made to prevent unauthorized shutoff.



The ANSI Z358.1 standard requires an uninterrupted supply of flushing fluid at a minimum 30 PSI (0.21 MPa) flowing pressure. Flushing fluid should be tepid per ANSI Z358.1.



The inspection and testing results of this equipment should be recorded weekly to verify proper operation. This equipment should be inspected annually to ensure compliance with ANSI Z358.1.



Workers who may come in contact with potentially hazardous materials should be trained regarding the placement and proper operation of emergency equipment per ANSI Z358.1.



For questions regarding the operation or installation of this product, visit www.bradleycorp.com or call 1-800-BRADLEY.

Product warranties and parts information may also be found under "Products" on our web site at www.bradleycorp.com.

Installation

Supplies Required:

- (3) 3/8" floor anchors and bolts
- Pipe sealant
- Piping to 1-1/4" NPT water supply inlet and to 1-1/4" NPT drain outlet on unit
- Adequate supply pipe supports
- Min. 4" drain to accommodate 30 gallons per minute discharge for shower waste
- OPTIONAL: sign-mounting hardware

NOTE: Local codes may require the installation of a backflow prevention valve to complete proper installation. Compliance with local codes is the responsibility of the installer. Valve must be tested annually to verify that it is functioning properly. Backflow prevention valves are not included with the fixture and may be supplied by the contractor or purchased from Bradley Corporation.

Step 1: Secure base to floor

1. Install three suitable anchors (supplied by installer) for 3/8" bolts in the floor.
2. Bolt the base to the floor anchors using 3/8" bolts (supplied by installer).

Step 2: Assemble components

1. Assemble the remaining unit components as shown on page 4.
 - Apply pipe sealant (by installer) to all male-threaded pipe joints.
 - Use the rubber grip pad provided or a strap wrench around pipes when tightening to prevent marring. Place the grip pad on the pipe, then put the wrench over the grip pad and turn the pipe with the wrench.
 - Bottom edge of showerhead should be 7'2-3/4" (2203mm) from floor.

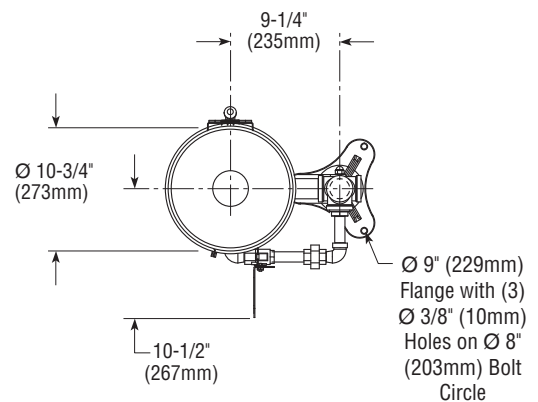
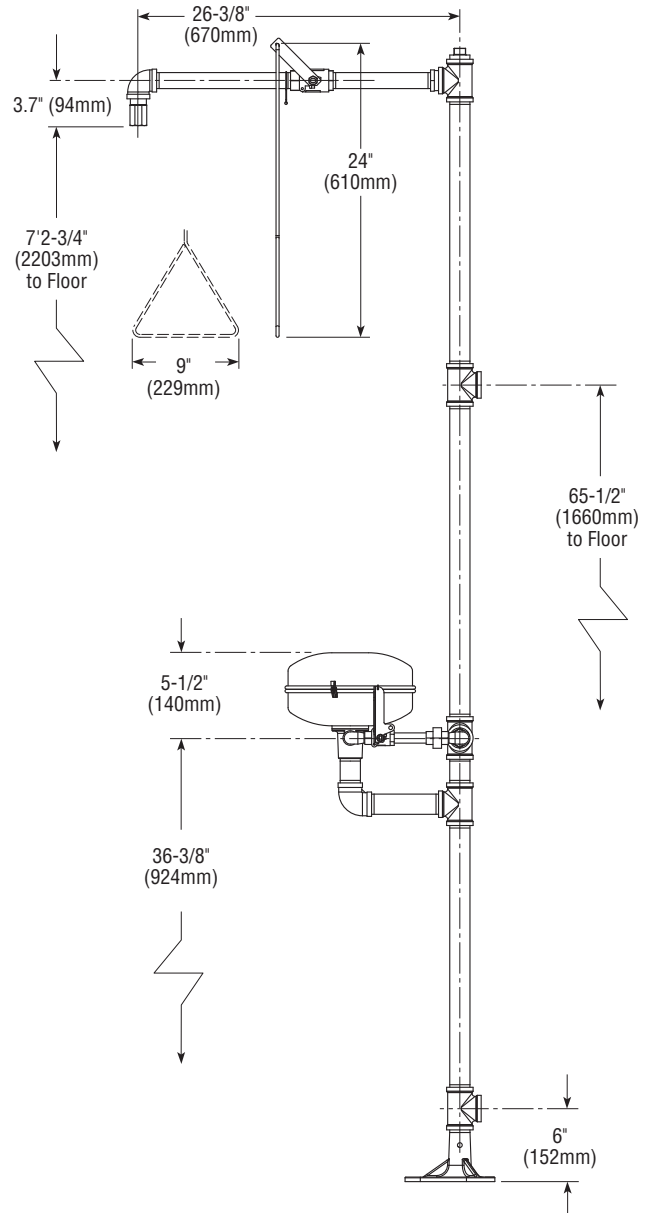
Step 3: Connect water supply



IMPORTANT: Do not rely on Bradley's Combination Unit to support supply piping.

1. Connect water supply piping to 1-1/4" NPT inlet on unit (piping by installer). Provide adequate supports (by installer) for supply pipe using pipe hangers or other means.
2. Connect drain piping to 1-1/4" NPT drain outlet on unit (piping by installer).
3. Hang the safety sign from the unit with the curtain hooks provided (or mount it to the wall using sign-mounting hardware by installer).

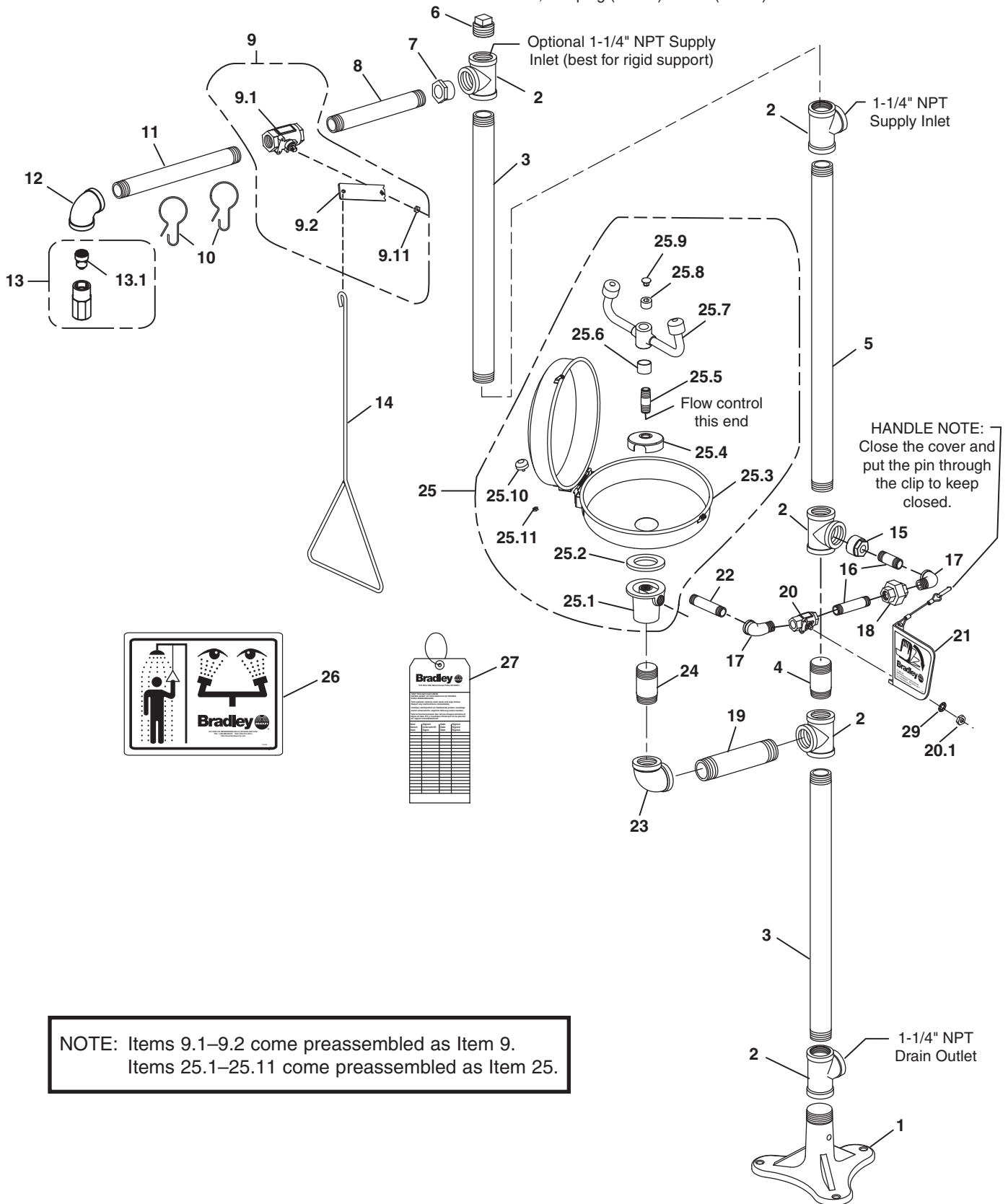
NOTE: All dimensions assume standard thread engagement. Variations in manufacturing allow for +/- 1/8" (3mm) per threaded joint. To find the tolerance of a dimension, add the number of thread joints in between a dimension and multiply it by 1/8" (3mm).



Top View From Bowl

Assembly of Components

NOTE: If tee (Item 2) is used as a supply inlet, use plug (Item 6) on tee (Item 2).



NOTE: Items 9.1–9.2 come preassembled as Item 9.
Items 25.1–25.11 come preassembled as Item 25.

Parts List

Item	Part No.	Qty	Description	Item	Part No.	Qty	Description
1	131-062	1	Base	20	S27-287	1	Ball Valve 1/2" NPT with Nut
2	269-237	5	Pipe Tee 1-1/4" NPT	20.1	161-151	1	Jam Nut only
3	113-583	2	Pipe 1-1/4" x 22-1/2"	21	S08-337	1	Handle Assembly
4	S06-188	1	Solid Pipe Nipple	22	113-866	1	Pipe 1/2" NPT x 4"
5	113-584	1	Pipe 1-1/4" x 26-1/2"	23	269-242	1	90° Pipe Elbow 1-1/4" NPT
6	269-238	1	Pipe Plug 1-1/4" NPT	24	113-579	1	Pipe Nipple 1-1/4" NPT x 3"
7	269-236	1	Red'g. Bushing 1-1/4" - 1" NPT	25	S90-319	1	SS Eyewash w/Dust Cover
8	1113-006NX	1	Pipe 1" NPT x 9"	25.1	111-049	1	Inlet Drain Fitting
9	S30-061	1	Stay-Open Ball Valve 1" NPT	25.2	124-028	1	Center Seal Gasket
9.1	S27-276	1	Stainless Steel Ball Valve with Nut	25.3	S90-009	1	Dust Cover Assy.
9.11	161-079	1	Jam Nut only	25.4	173-009	1	Cup Strainer
9.2	128-142	1	Handle	25.5	S21-072	1	Stem Pipe Assy.
10	151-001	2	Curtain Hook	25.6	113-1159	1	Spacer, Drain
11	113-006MN	1	Pipe 1" NPT x 12"	25.7	S05-131	1	Eyewash Yoke
12	169-1074	1	90° Elbow 1" NPT	25.8	153-333	1	Pipe Plug
13	S24-191	1	Stainless Steel Showerhead	25.9	269-874	1	Cap
13.1	S24-187	1	Flow Control Assembly, 23 GPM	25.10	269-447	1	Bumper
14	128-156A	1	Pull Rod - 24" Long	25.11	161-025	1	Nut #10-24
15	269-239	1	Red'g. Bushing 1-1/4" - 1/2" NPT	26	114-052	1	Safety Sign
16	113-965	2	Pipe 1/2" NPT x 3-1/2"	27	204-421	1	Emergency Tag
17	269-241	2	90° Street Elbow 1/2" NPT	28	269-915	1	Grip Pad (not shown)
18	269-240	1	Union 1/2" NPT	29	142-002DA	1	Lockwasher
19	113-582	1	Pipe 1-1/4" NPT x 6-1/2"				