

ULTRA-SENSE[®]

Sensor Activated Lavatory Faucet

- S-6080-G: With grid strainer drain assembly
- S-6080: Faucet only

Ultra-Sense battery-powered, sensor-activated lavatory faucet with infrared Position Sensitive Detection (PSD) system. Faucet features 4" center deck plate and temperature limit stop to adjust outlet temperature, 1.5 gpm (5.7 L/min) low profile, vandal-resistant aerator. 10 second factory-set cycle time with automatic shut-off feature, 6-volt lithium battery power pack, in-line check/strainers. Electronic components and battery are sealed and housed above deck in a cast brass body for maximum vandal resistance. Grid strainer drain assembly.

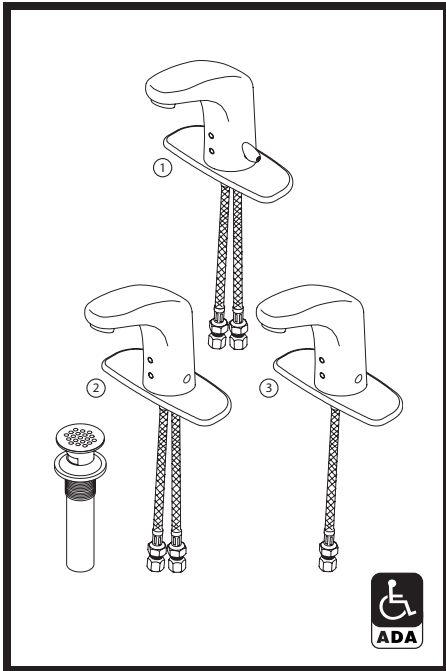
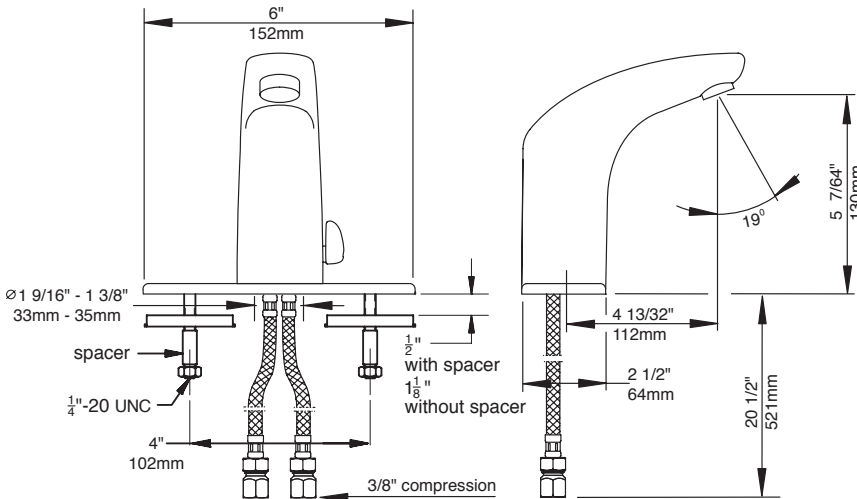
Faucet can be installed in one of three possible supply configurations:

- ① Hot and cold supply with lever handle temperature adjustment (factory standard)
- ② Hot and cold supply with pre-set tempered water (field adjusted)
- ③ Single supply for cold or premixed tempered water (field adjusted)

Modifications:

Add:

- Suffix DP: 8" adapter plate
- Suffix FR: 0.5 gpm flow restrictor
- Suffix NA: Non-aerated laminar flow spray outlet
- Suffix OFG: Offset grid strainer drain assembly in place of standard grid drain
- Suffix SM: Single hole mounting
- Suffix LST: 18" copper supply tubes in lieu of flexible hoses
- Suffix BRS: Radiance[®] polished brass finish
- Suffix STN: Radiance[®] satin finish



SYMMONS PRODUCTS MEET ANSI A112.18.1M, EPA '92 AND ALL KNOWN FLOW RATE REQUIREMENTS. Metering Faucets 0.25 gallons per cycle (1.0 L/cycle)

Job/Location

.....

Engineer

.....

Contractor

.....

For ADA compliance (Americans with Disabilities Act) consult ADAAG or your state regulations for proper product choice and mounting locations.

Symmons Industries, Inc. ■ 31 Brooks Drive ■ Braintree, MA 02184
 (800) 796-6667, (781) 848-2250 ■ Fax (800) 961-9621, (781) 843-3849
 Website: www.symmons.com ■ Email: customerservice@symmons.com

