

Dual Purpose Stationary and Removable Eye/Face Wash

Model S19-630

- Complies with American National Standard Z358.1-2004
- For Eyes and Face or Body Rinsing
- 12' Highly Visible Yellow-Colored Hose
- Wall Bracket Included
- Universal Identification Sign and Inspection Tag Included
- Full, One-Year Warranty

Specifications

Acts as a stationary eye/face wash or hand-held spray for face and body rinsing. Quick access emergency eye and face spray features soft flow sprayhead for flooding large areas as well as eyes only. Self-coiling hose retracts for easy storage while allowing instant extension in emergency situations.

UPC and cUPC Approved:

The Emergency Fixtures are certified to comply with the requirements of the Uniform Plumbing Code and the National Plumbing Code of Canada by the International Association of Plumbing and Mechanical Officials (IAPMO)

Construction

12' (3658mm) hose is colored yellow for high visibility. Hose burst strength is 660 PSI. Stainless steel wall bracket.

Standard Equipment

Eye/Face Spray

Perforated sprayheads are ABS plastic and features soft flow sprayhead for flooding large areas as well as eyes only. Protective sprayhead covers included. The integral flow assures safe, steady flow under varying water supply conditions.

Valve

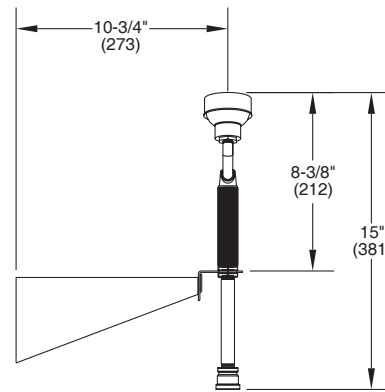
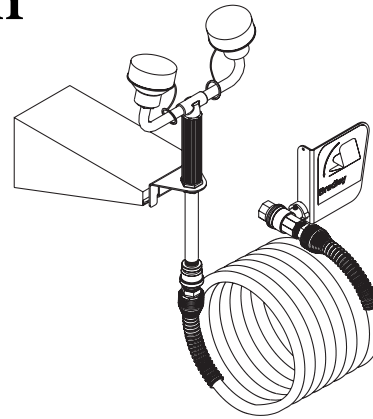
1/2" stay-open ball valve. Hand operated by a large, highly visible push flag handle.

Hand-Held, Recoiling Drench Hose

Self-coiling hose retracts for easy storage while allowing instant extension in emergency situations. Hose burst strength is 660 PSI.

Wall Bracket

Stainless steel wall bracket.



MODEL

Model No.	Description
<input type="checkbox"/> S19-630	Dual Purpose Stationary and Removable Eye/Face Wash

IMPORTANT NOTES:

- Drench hoses must provide a controlled flushing fluid that is both tepid and non-injurious to the user per ANSI Z358.1-2004. Refer to ANSI Z358.1-2004 for complete regulatory information regarding the performance, installation, maintenance, and training requirements for drench hoses.
- Model S19-630 is third party certified to the ANSI Z358.1-2004 standard as an eye/face wash.
- Installer to supply backflow prevention as required by UPC, IPC and/or local plumbing codes. Contact Bradley or visit www.bradleycorp.com for available options.

Document No. 4890

This information is subject to change without formal notice.
© 2004 Bradley Corporation
6-5-2006 (1 Page Total)

Bradley

P.O. Box 309, Menomonee Falls, WI 53052-0309
Phone 1-800-BRADLEY FAX 262-251-5817
Web Site: <http://www.bradleycorp.com>