



**T&S BRASS AND BRONZE WORKS, INC.**  
 2 SADDLEBACK COVE / P.O. BOX 1088 / TRAVELERS REST, SC 29690  
 PHONE 800-476-4103 - FAX 864- 834-3518



Model No.

B-0200-LN

**RELIABILITY  
BUILT IN**

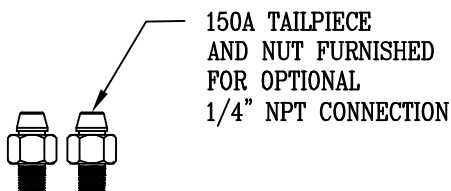
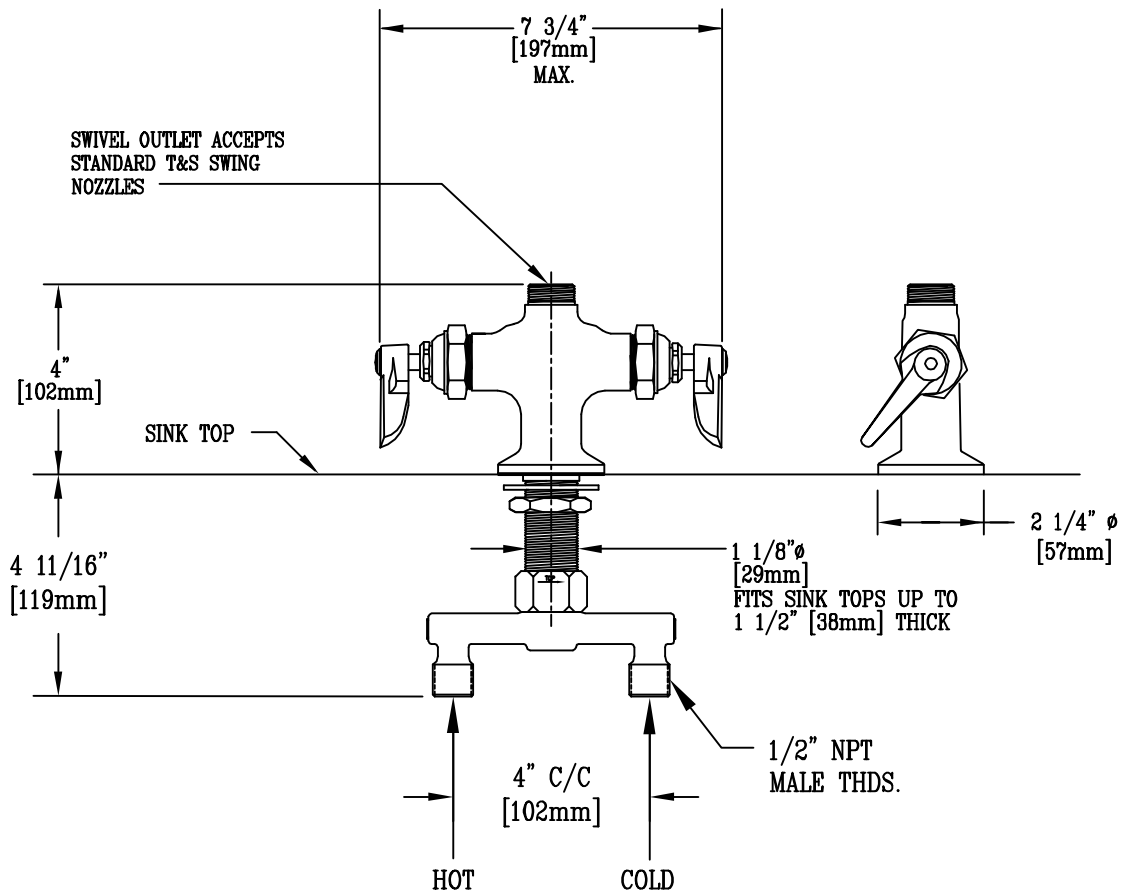
Job Name:

Architect/Engineer Approval:

Notes:



ADA COMPLIANT



Product Description:

DOUBLE PANTRY FCT. LESS NOZZLE

Drawn:

PRJ

Checked

WJS

Scale:

1 : 4

Approved

MVW

Date:

05/23/02