



T&S BRASS AND BRONZE WORKS, INC.

2 Saddleback Cove / P.O. Box 1088
Travelers Rest, SC 29690



REG. #A2601
ISO #9001

Model No.

B-0711

Item No.

Travelers Rest, SC: 800-476-4103 Simi Valley, CA: 800-423-0150 Fax: 864-834-3518 www.tsbrass.com

This Space for Architect/Engineer Approval

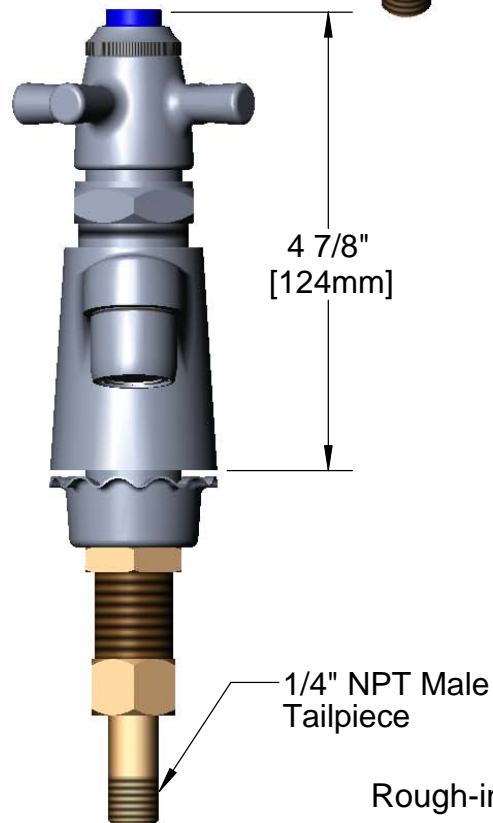
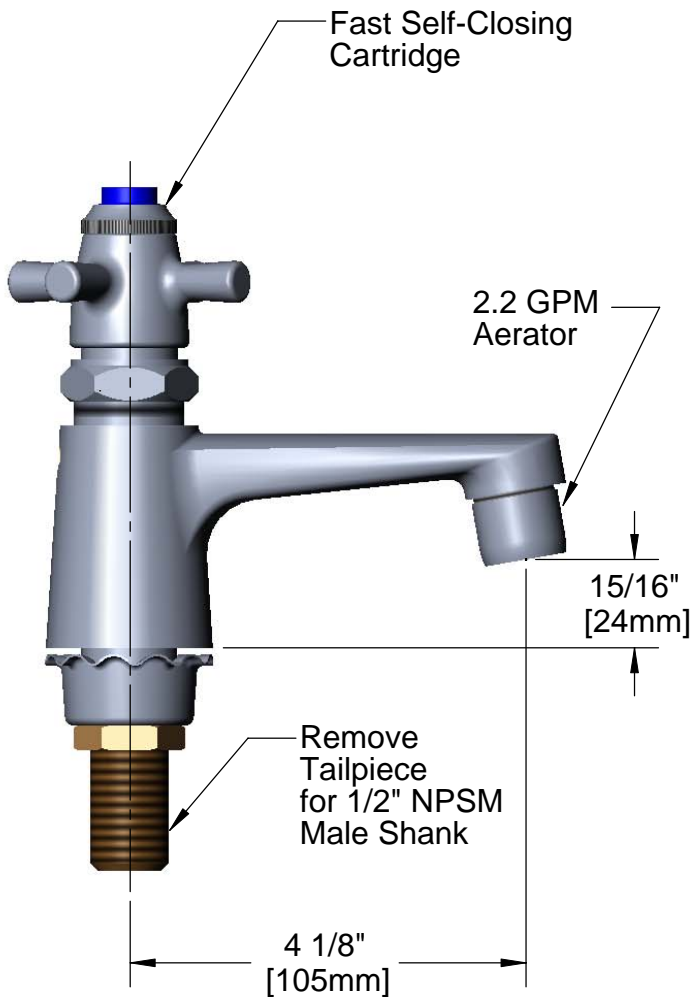
Job Name _____ Date _____

Model Specified _____ Quantity _____

Customer/Wholesaler _____

Contractor _____

Architect/Engineer _____



Product Specifications:

Single Temperature Basin Faucet w/ 1/2" NPSM Male Shank, Fast Self-Closing Handle, and 2.2 GPM Aerator

Drawn DMH	Checked GEF	Approved JHB
Scale: 1:2		Date: 10/3/08



T&S BRASS AND BRONZE WORKS, INC.

2 Saddleback Cove / P.O. Box 1088
Travelers Rest, SC 29690



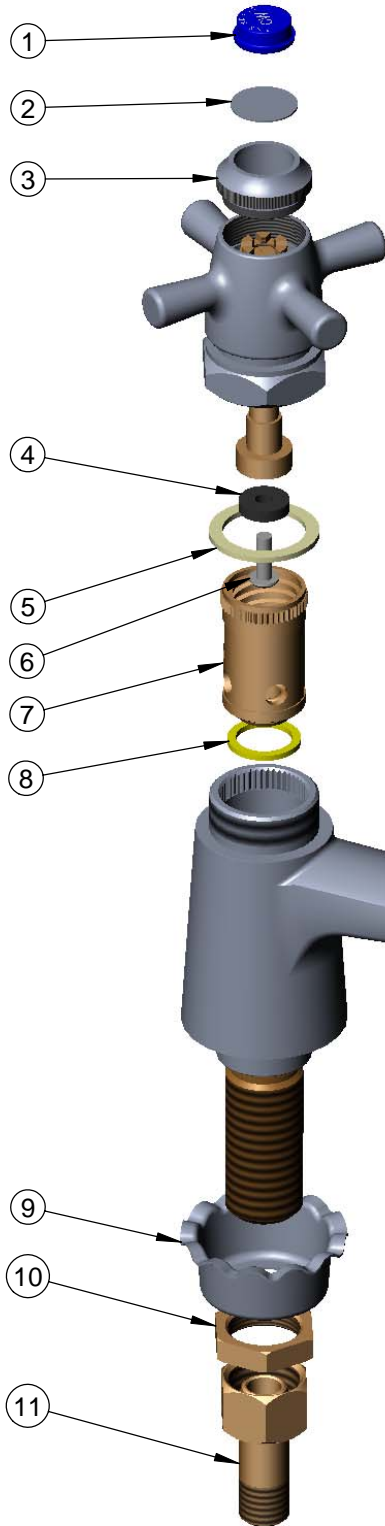
REG. #A2601
ISO #9001

Model No.

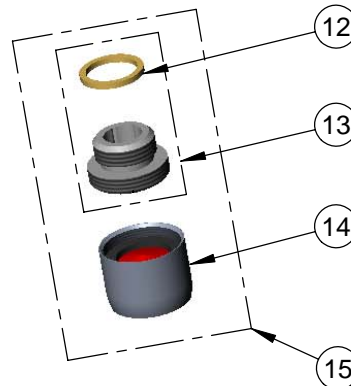
B-0711

Item No.

Travelers Rest, SC: 800-476-4103 Simi Valley, CA: 800-423-0150 Fax: 864-834-3518 www.tsbrass.com



ITEM	PART NO.	DESCRIPTION
1	001686-45	Blue CW Index
2	001013-45	Slow Close Handle Disc
3	000674-40	Slow Close Index Ring
4	001092-45	Seat Washer
5	009643-45	Washer
6	000933-45	B-1100 Seat Washer Screw
7	000789-20	Eterna Barrel
8	009646-45	Washer
9	001000-45	Rosette Washer
10	002954-45	Shank Lock Nut
11	150A	Nut and Tailpiece Assembly
12	001043-45	Washer
13	044A	3/8" to Aerator Adapter
14	B-0199-01	2.2 GPM Aerator, Female
15	B-0199-02	Aerator, 2.2 GPM, 3/8" NPSM



Specify 007900-40
For Full Cartridge
Assembly

Product Specifications:

Single Temperature Basin Faucet w/ 1/2" NPSM Male Shank,
Fast Self-Closing Handle, and 2.2 GPM Aerator

Drawn DMH	Checked GEF	Approved JHB
Scale: 1:2		Date: 10/3/08