



T&S BRASS AND BRONZE WORKS, INC.

2 Saddleback Cove / P.O. Box 1088
Travelers Rest, SC 29690



REG. #A2601
ISO #9001

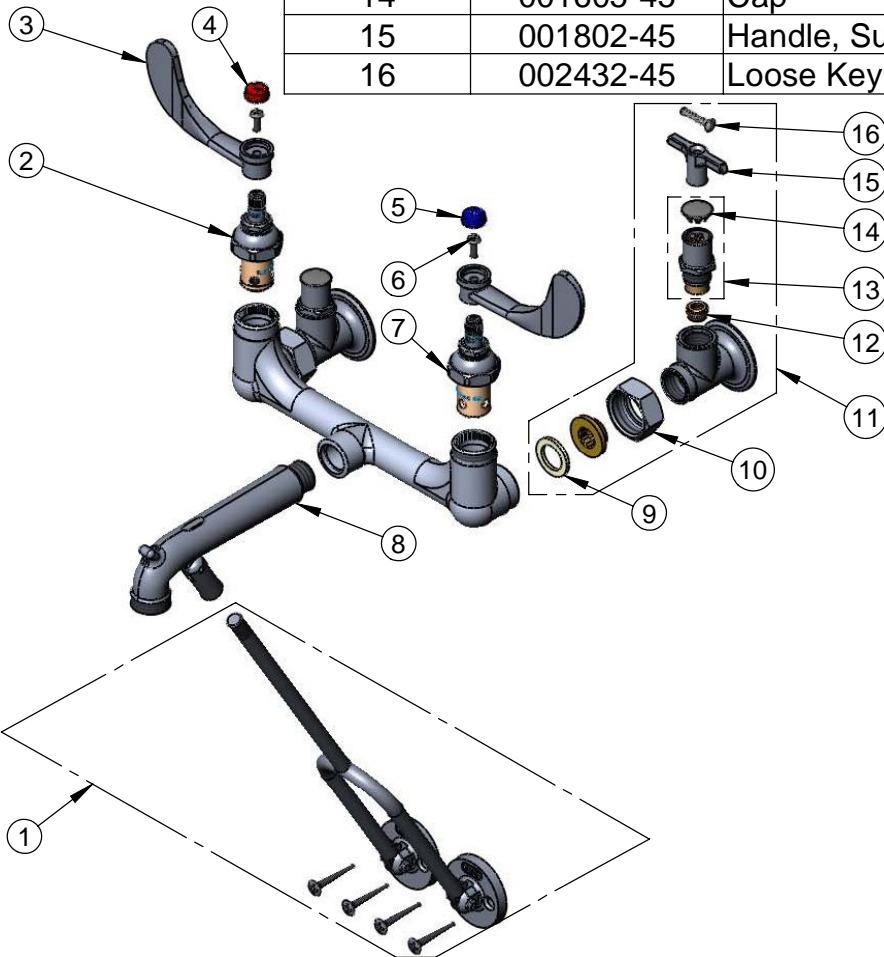
Model No.

B-0664-04

Item No.

Travelers Rest, SC: 800-476-4103 Simi Valley, CA: 800-423-0150 Fax: 864-834-3518 www.tsbrass.com

ITEM NO.	SALES NO.	DESCRIPTION
1	009616-40	Lower Support Rod Assembly w/ Mounting Screws
2	012443-40	Hot Eterna Spindle Assembly w/ Spring Check
3	B-WH4	4" Wrist Action Handle
4	001194-45	Red HW Index
5	001686-45	Blue CW Index
6	000925-45	Lab Handle Screw
7	012442-40	Cold Eterna Spindle Assembly w/ Spring Check
8	016450-40	Spout Assembly, Polished w/ Bottom Support Clevis
9	001019-45	Coupling Nut Washer
10	000721-25	Flange Coupling Nut
11	002892-40	Spindle Assembly w/ Cap
12	000763-20	Seat
13	00JJ	1/2" NPT Female Thread Inlet w/ Integral Stop
14	001605-45	Cap
15	001802-45	Handle, Supply Stop "T"
16	002432-45	Loose Key Handle Screw



Product Specifications:

8" Centers Service Sink w/ Garden Hose Outlet, Polish Chrome, Lower Wall Support, 4" Wrist Action Handles & 1/2" NPT Female Inlet w/ Integral Stops

Drawn DHL	Checked KJG	Approved JHB
Scale: NTS		Date: 02/10/09