



T&S BRASS AND BRONZE WORKS, INC.

2 Saddleback Cove / P.O. Box 1088
Travelers Rest, SC 29690



REG. #A2601
ISO #9001

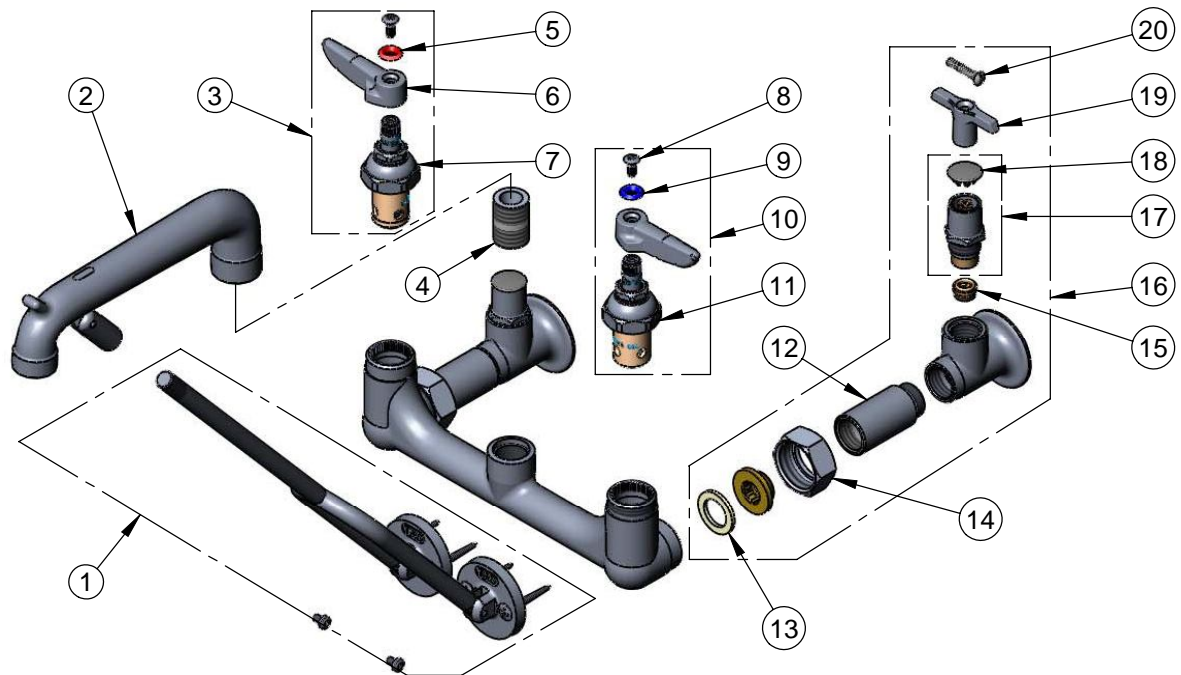
Model No.

B-0651-POL

Item No.

Travelers Rest, SC: 800-476-4103 Simi Valley, CA: 800-423-0150 Fax: 864-834-3518 www.tsbrass.com

ITEM NO.	SALES NO.	DESCRIPTION
1	009616-40	Lower Support Rod Assembly w/ Mounting Screws
2	016844-40	Spout, B-0650 Chrome Polished
3	002712-40	Hot Eterna Spindle Assembly w/ Spring Check, Handle, Index & Screw
4	002534-25	Close Nipple, 1/2" x 1 5/32" Lg Rough Chrome
5	001661-45	Red Index-HW
6	001638-45	Lever Handle
7	012443-40	Hot Eterna Spindle Assembly w/ Spring Check
8	000922-45	Lever Handle Screw
9	001660-45	Blue Index-CW
10	002711-40	Cold Eterna Spindle Assembly w/ Spring Check, Handle, Index & Screw
11	012442-40	Cold Eterna Spindle Assembly w/ Spring Check
12	000611-25	Extension, 1 3/4" Long
13	001019-45	Coupling Nut Washer
14	000721-25	Flange Coupling Nut
15	000763-20	Seat
16	00JJ-XT	1/2" NPT Female Thread Inlet Assembly w/ Integral Stop & Extension
17	002892-40	Spindle Assembly w/ Cap
18	001605-45	Cap
19	001802-45	Handle, Supply Stop "T"
20	002432-45	Loose Key Handle Screw



Product Specifications:

8" Wall Support Service Sink, Polish Chrome Finish, Lever Handles, Lower Support Rod, 1/2" NPT Extended Inlets w/ Integral Stops, & Garden Hose Outlet

Drawn DHL	Checked KJG	Approved JHB
Scale: NTS	Date: 02/10/09	