



T&S BRASS AND BRONZE WORKS, INC.

2 Saddleback Cove / P.O. Box 1088
Travelers Rest, SC 29690



REG. #A2601
ISO #9001

Model No.
B-0502

Item No.

Travelers Rest, SC: 800-476-4103 Simi Valley, CA: 800-423-0150 Fax: 864-834-3518 www.tsbrass.com

This Space for Architect/Engineer Approval

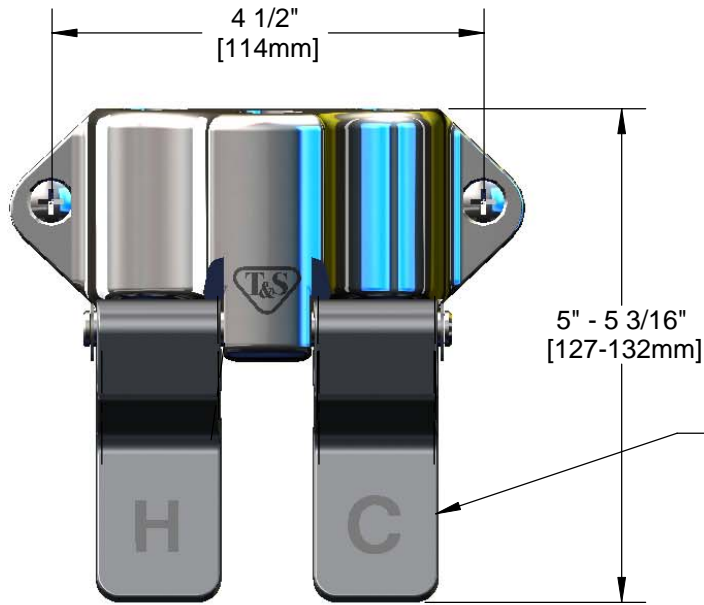
Job Name _____ Date _____

Model Specified _____ Quantity _____

Customer/Wholesaler _____

Contractor _____

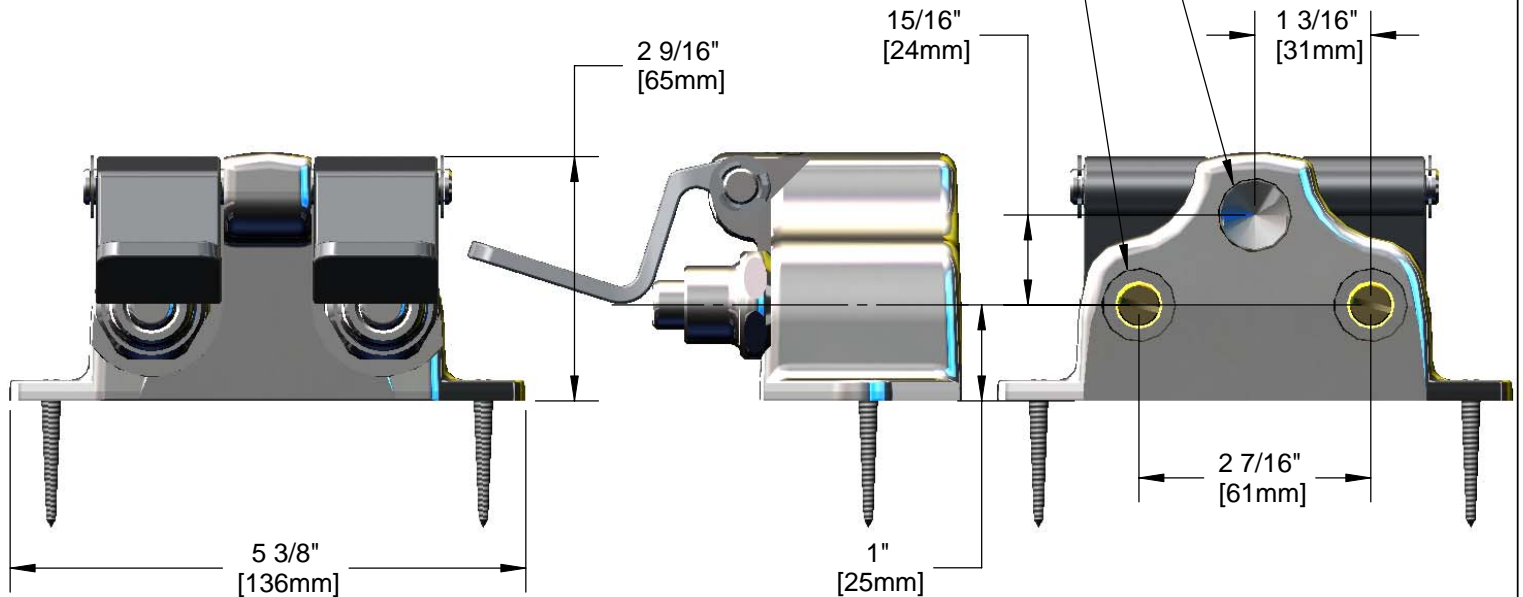
Architect/Engineer _____



Chrome Plated Brass Foot Pedals

1/2" NPT Female Inlets

1/2" NPT Female Outlet



Product Specifications:
Double Pedal Valve
1/2" NPT Female Inlets & Outlet

Drawn GEF	Checked JRM	Approved JHB
Scale: 1:2		Date: 06/19/08



T&S BRASS AND BRONZE WORKS, INC.
 2 Saddleback Cove / P.O. Box 1088
 Travelers Rest, SC 29690



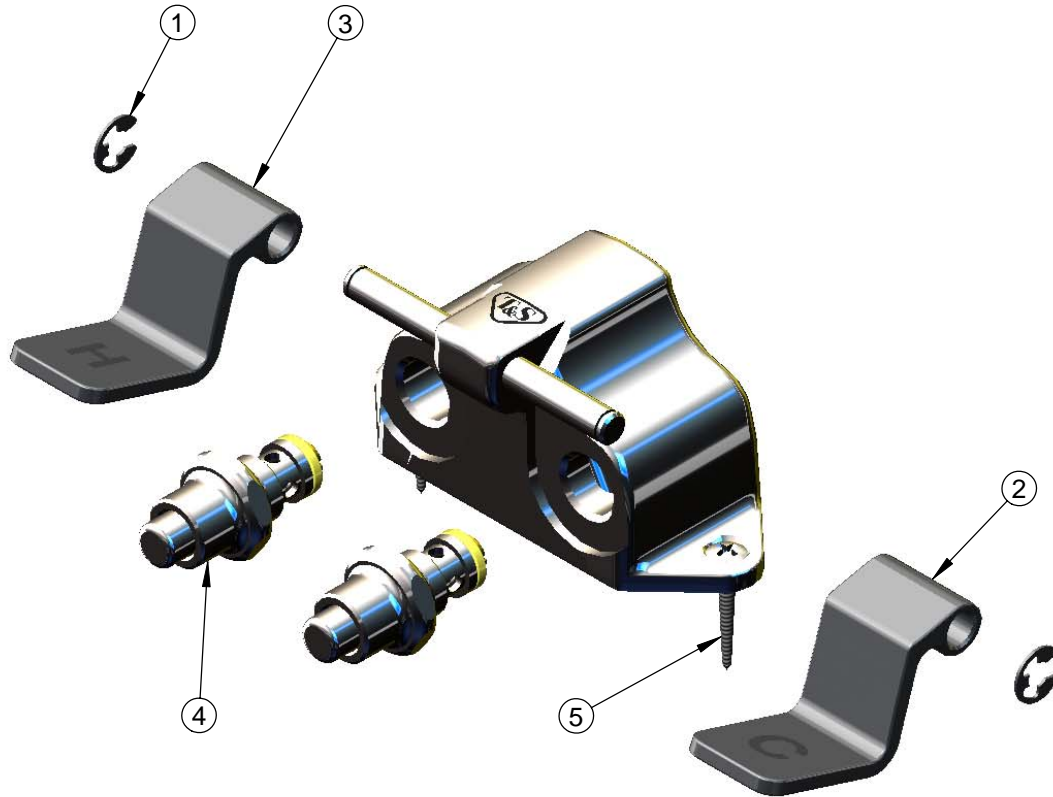
REG. #A2601
 ISO #9001

Model No.
B-0502

Item No.

Travelers Rest, SC: 800-476-4103 Simi Valley, CA: 800-423-0150 Fax: 864-834-3518 www.tsbrass.com

ITEM	PART NO.	DESCRIPTION
1	012512-45	Retaining Ring
2	000091-25	Cold Pedal
3	000092-25	Hot Pedal
4	005312-40	Bonnet Asm
5	000915-45	Mounting Screw



Product Specifications:

Double Pedal Valve
 1/2" NPT Female Inlets & Outlet

Drawn GEF	Checked JRM	Approved JHB
Scale: 1:2		Date: 06/19/08