

Location:



# Symmetrix®



## Lavatory Faucet S-254 Series

### Specification Submittal

S-254-G, Standard handles with grid drain



#### Feature Highlights

- Two handle widespread lavatory faucet with quarter turn ceramic control components.
- 11-11/16 inch gooseneck rigid/swivel spout
- Blade handles with red/blue indicators

- Aerator with 2.2 gpm flow rate (8.3 L/min)
- 1/2 inch IPS shanks
- 8 - 16 inch centers
- Metal construction, polished chrome finish


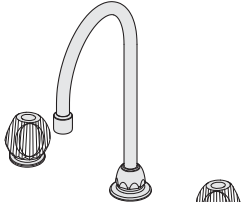
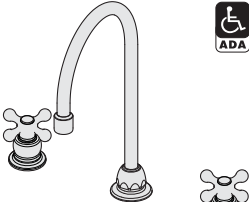
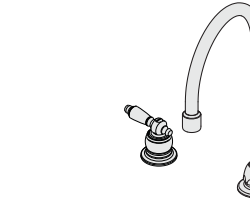
#### Standards / Certifications

ASME A112.18.1-2005/CSA B125.1-05

#### Warranty

- Limited Lifetime - to the original end purchaser in consumer installations.
- 5 years - for commercial installations

#### S-254 series handle options

S-254-LWG	S-254-LCT	S-254-CR	S-254-LAM, -LPO, -LCF, -LTM
			

#### Ordering Information

##### Model Numbers

Append appropriate -suffix to model number.

- S-254 Faucet only with standard handles

#### Finish Options / Modifications

Append appropriate -suffix to model number.

- Polished chrome finish (standard)

#### Handle Options / Modifications

Append appropriate -suffix to model number.

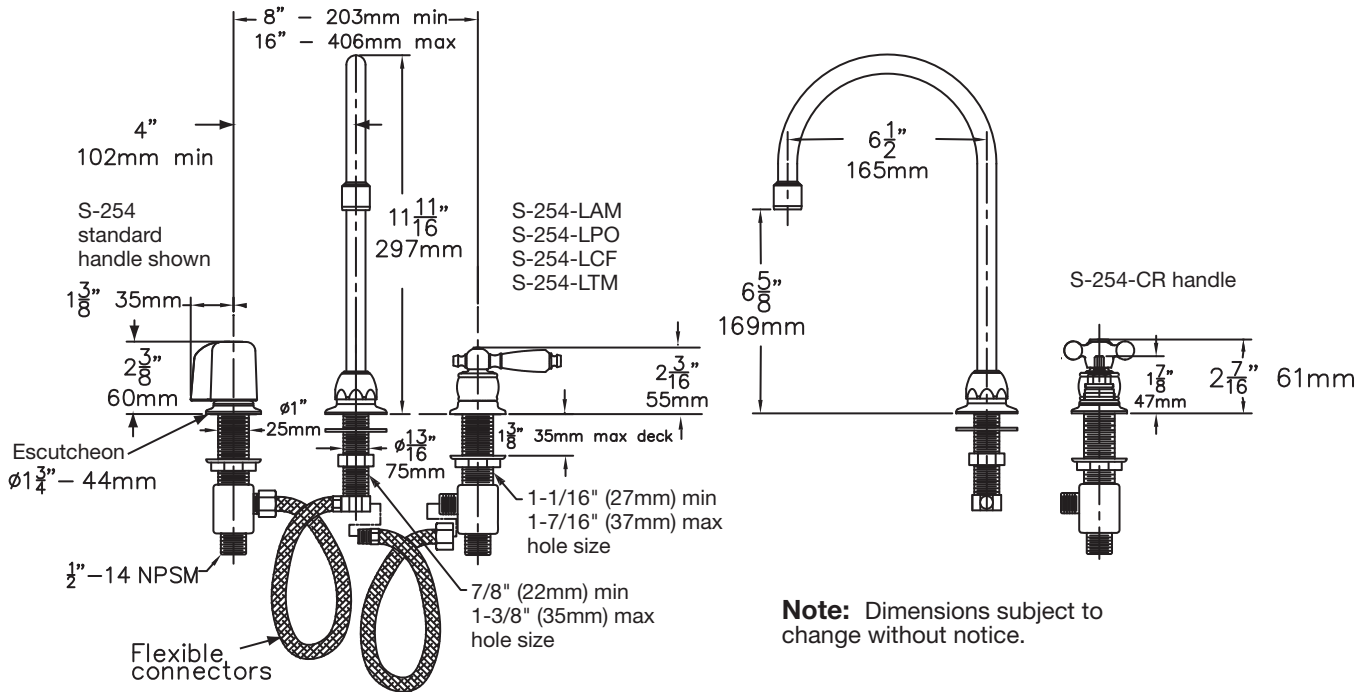
- LWG Wrist blade handle with metal finish and red & blue indicators on handles
- LCT Clear acrylic handle with red & blue indicators on handles
- CR Cross handle with metal finish, and red & blue indicators on handles
- LAM Lever handle with metal finish, metal insert and red & blue indicators
- LPO Lever handle with metal finish, white insert and red & blue indicators
- LCF Lever handle with metal finish, clear faceted insert and red & blue indicators
- LTM Lever handle with metal finish, red & blue indicators on handles

#### Other Options / Modifications

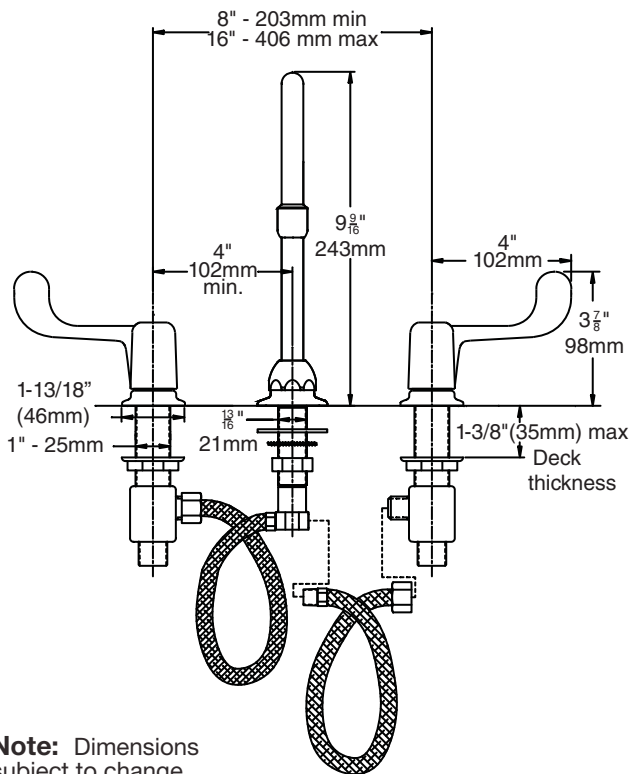
Append appropriate -suffix to model number.

- G Grid strainer drain assembly
- 1.5 1.5 gpm flow (5.7 L/min) restrictor
- 1.0 1.0 gpm flow (3.8 L/min) restrictor
- .5 .5 gpm flow (1.9 L/min) restrictor
- VP Vandal resistant aerator (standard 2.2 gpm aerator only)
- NA Non-aerated laminar flow outlet
- OFG Offset grid strainer (S-240-2 only)

**Dimensions** *Symmetrix, S-254, S-254-CR, S-254-LAM, S-254-LPO, S-254-LCF, S-254-LTM*



**Dimensions** *Symmetrix, S-254-LWG*



**Dimensions** *Symmetrix, S-254-LCT*

