

# **SPEAKMAN COMPANY**

## **SE-236 Installation, Maintenance & Operation Instructions**

### **LIFESAVER® EMERGENCY SHOWER**

#### **DESCRIPTION**

Emergency deluge shower for concealed ceiling mounting, supplied with stay-open full flow ball valve activated by on/off pull rings with ceiling ferrules.

#### **SPECIFICATIONS**

SHOWER HEAD: 10" Dia. Brass, Chrome-Plated With Polished Shower Head Flange.

FLOW CONTROL: Internal 20 gpm Regulator.

VALVE: 1" NPT Female Brass, Chrome-Plated. Stay-Open Valve.

ACTIVATOR: 8" Dia. Stainless Steel Ring, (ON)

3" Dia. Stainless Steel Ring, (OFF)

#3 Stainless Steel Chain

INLET: 1" NPT Female.

FLANGE: (2) Brass, Chrome-Plated.

PIPE: 1" IPS Galvanized Steel.

SHIPPING WEIGHT: 16 lb.

EMERGENCY SIGN: 7-7/8" x 7-7/8" Plastic Wall Sign.

#### **SE-236-PR**

ACTIVATOR: Powder Coated Yellow, Aluminum Tubular Pull Rod.

#### **OPTIONS**

◇ AL1 (Air Horn Alarm)	◇ FLW (Flow Switch)	◇ FPV (Anti-Freeze Protection Valve)
◇ AL2 (Electrical Alarm)	◇ STALL (Shower Stall)	◇ SPV (Anti-Scald Protection Valve)
◇ AL3 (Electrical Alarm)	◇ PC (Polished Chrome Shower Head)	◇ VPL (Vapor Proof Light)
◇ AL2-C1D2 (Electrical Alarm / Haz. Area)	◇ SSBV1 (Stainless Steel Ball Valve)	◇ SGN5 (Shower Floor Sign)
◇ AL3-C1D2 (Electrical Alarm / Haz. Area)	◇ SSH (Stainless Steel Shower Head)	◇
◇	◇	◇

#### **INSTALLATION**

Assemble unit to a 1" supply pipe that has an uninterrupted source of potable water. Use pipe sealant on this joint. Review drawing (as shown on other side) to assure proper installation. Failure to use potable water can result in emergency units producing impure or contaminated water causing possible further injury.

#### **OPERATION**

This shower is activated by pulling downward on the 8" Dia. stainless steel ring. The valve will continue to discharge water until manually shut off, by pulling downward on the 3" Dia. stainless steel ring.

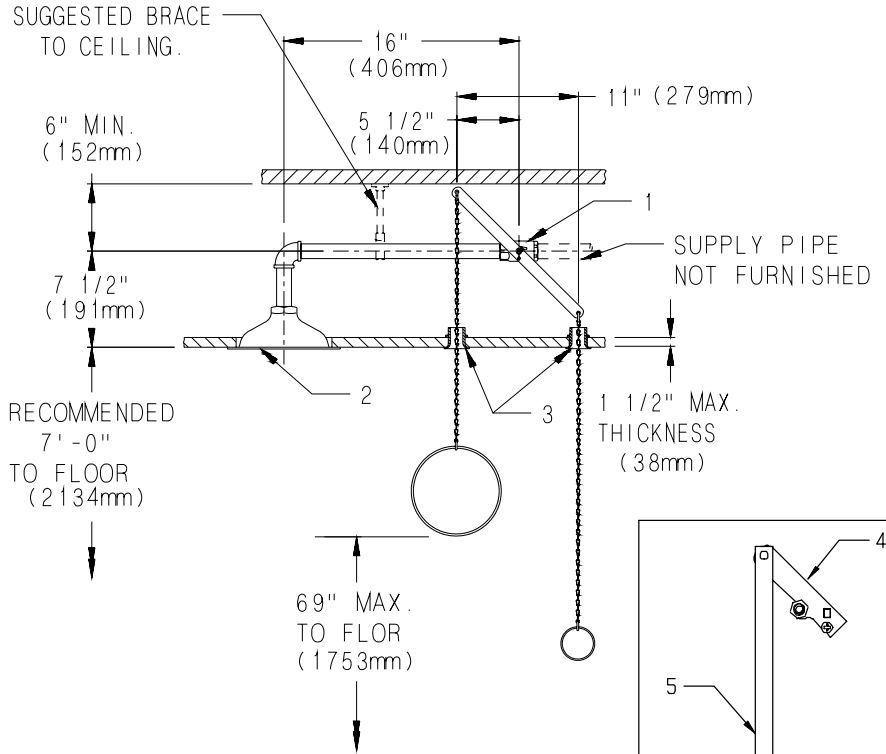
#### **TESTING PROGRAM**

The American National Standards Institute (ANSI) states that all safety emergency equipment shall be activated on a weekly basis to flush the line and verify proper operation. Speakman Company furnishes a testing record tag (91-0635) with each unit. On this tag the date of inspection and the inspectors initials should be noted.

**MAINTENANCE**

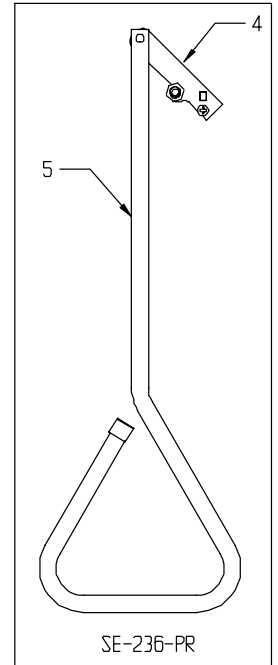
Should you need parts to repair this unit, please reference the parts listing below for correct part numbers. Reference additional technical sheet (supplied) for information on the SE-911 stay-open valve. Before any maintenance is done **be sure to shut the water supply off.**

**WARNING: Use only genuine Speakman parts when repairing or replacing components. To order parts call 1-800-537-2107.**



**SE-236 REPLACEMENT/REPAIR PARTS**

<u>ITEM</u>	<u>PART/GROUP #</u>	<u>DESCRIPTION</u>
<b>SE-236:</b>		
1	SE-911-CR	1" Stay-Open Valve With Chain and Ring
2	G38-0149-PC	10" Flanged Shower Head With Face Plate
3	26-0250-RCP	Ceiling Flange
<b>SE-236-PR:</b>		
4	G04-0722	Short Lever Handle w/Plunger
5	G47-0046-29	Aluminum Pull Rod



**FLOW DATA**

SHOWER:

FLOW PRESSURE PSI (BAR)	20 (1.38)	60 (4.14)
FLOW RATE GPM (LPM)	20 (75)	25 (94)

NOTE: This unit should be connected to an uninterrupted source of potable water, with a minimum flowing pressure of 20 PSI and a maximum static pressure of 125 PSI.

Note: All units meet existing ANSI Z358.1 1998 Standards and OSHA Rules. Product improvements may cause specification and dimensional changes without notice.

**SPEAKMAN®**

PO Box 191 Wilmington, DE 19899 Phone: 800-537-2107 Fax: 800-977-2747  
Visit us on the web at [www.speakmancompany.com](http://www.speakmancompany.com)