



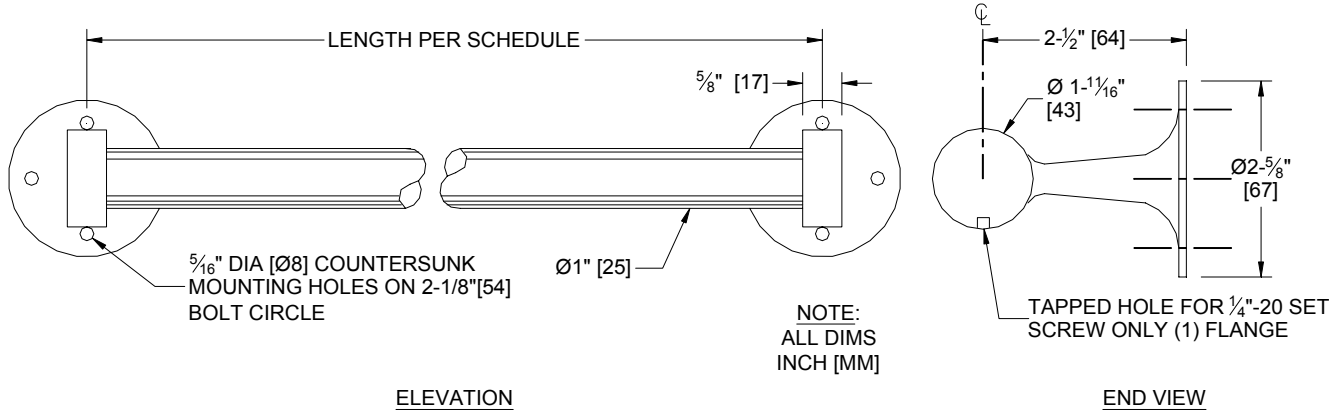
**AMERICAN SPECIALTIES, INC.**  
 441 Saw Mill River Road, NY 10701 (914) 476-9000  
 www.americanspecialties.com

MODEL №: 0755-SS

ISSUED: 01/87

REVISED: 07/09

## HEAVY DUTY STAINLESS STEEL ROUND TOWEL BAR



### SCHEDULE OF AVAILABILITY

Model №:	Length	Quantity
0755-SS18	18" [457]	
0755-SS24	24" [610]	
0755-SS30	30" [762]	

### SPECIFICATION

Heavy Duty Stainless Steel Round Towel Bar shall have bar fabricated of alloy 18-8 stainless steel, type 304, 1" diameter (Ø25) x 20 gauge. Support posts shall be fabricated of heavy solid cast brass. Bar and support posts shall have satin finish. Bar tubing shall not turn when set screw (supplied) is engaged in support post and tube.

**Surface Mounted Towel Ring shall be Model N<sup>o</sup> 0755-SS of American Specialties, Inc., 441 Saw Mill River Road, Yonkers, New York 10701-4913**

### INSTALLATION

For compliance with ADA Accessibility Guidelines, install unit so that centerline of bar is 48" (1219) above finished floor if clear floor forward reach access is provided or 46" (1168) MAX AFF is side reach over obstruction is only provided (i.e. vanity). Surface mount each support post to wall with three (3) 1/4" diameter (Ø6) oval, pan or round head fasteners of length and type to suit wall conditions (supplied by installer) through mounting holes in posts. To mount on stud walls, provide concealed backing at screw points, secured to studs. Backing must comply with local building codes. If concealed backing is not provided, secure with toggle bolts. To mount on solid walls, use plastic or fiber type (Rawl®) plugs or expansion bolts.