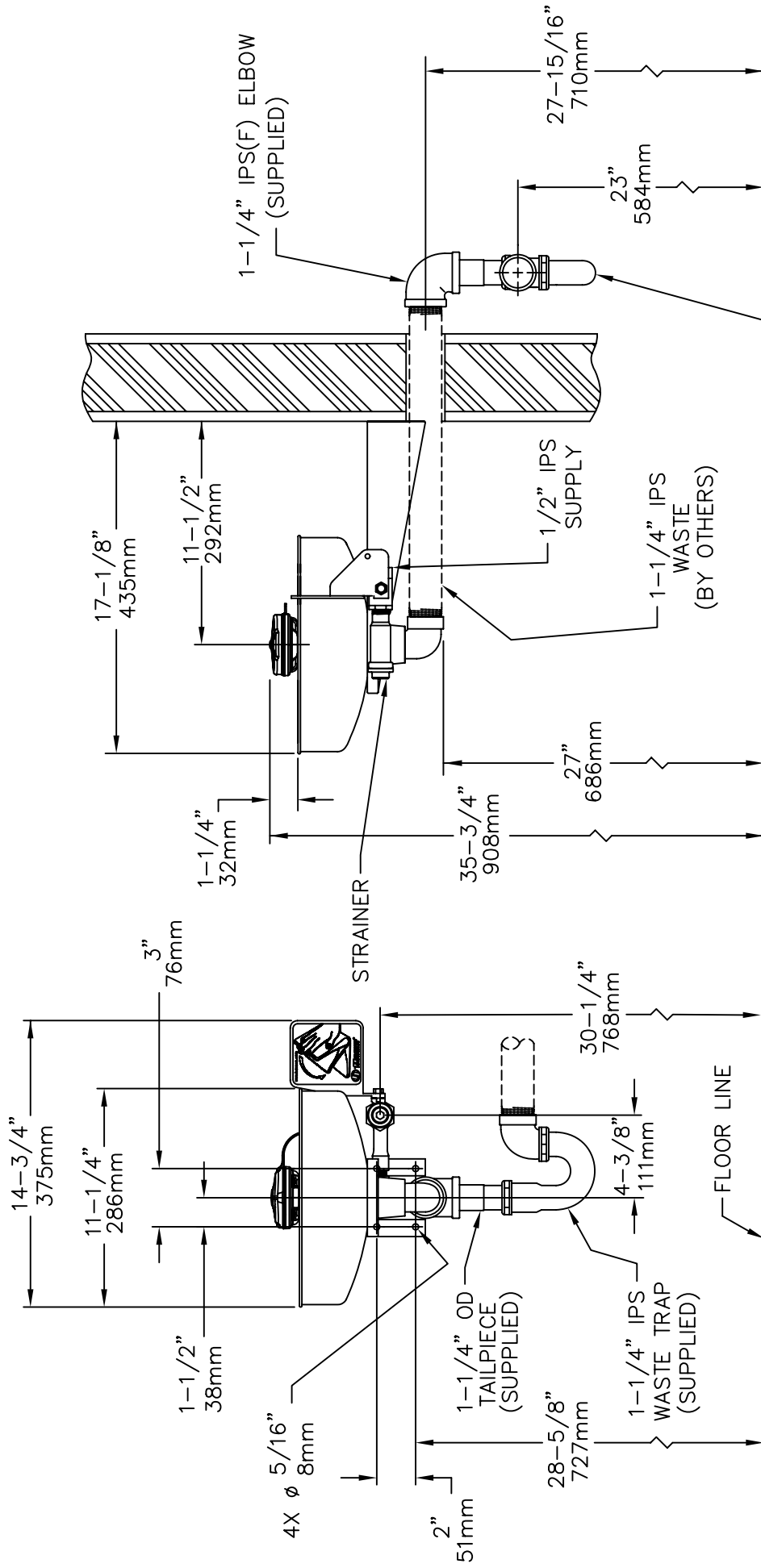
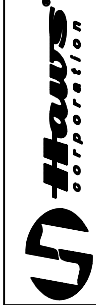


THIS DOCUMENT IS TRUE AND CORRECT AT TIME OF PUBLICATION. CONTINUED PRODUCT IMPROVEMENTS MAKE SPECIFICATIONS AND MEASUREMENTS SUBJECT TO CHANGE WITHOUT NOTICE.



NOTES:

- TO COMPLY WITH ANSI Z358.1-2004 FOR EMERGENCY EYEWASH OR EYEFACE WASH AND SHOWER EQUIPMENT:
 - UNIT SHALL BE INSTALLED IN ACCORDANCE WITH MANUFACTURER'S INSTRUCTIONS AND ACCEPTABLE PLUMBING PRACTICES.
 - EYEWASH OR EYEFACE WASH SHALL BE POSITIONED WITH NOZZLES NOT LESS THAN 83.8 CM (33 IN.) AND NO GREATER THAN 114.3 CM (45 IN.) FROM SURFACE ON WHICH USER STANDS AND 15.3 CM (6 IN.) MINIMUM FROM WALL OR NEAREST OBSTRUCTION.

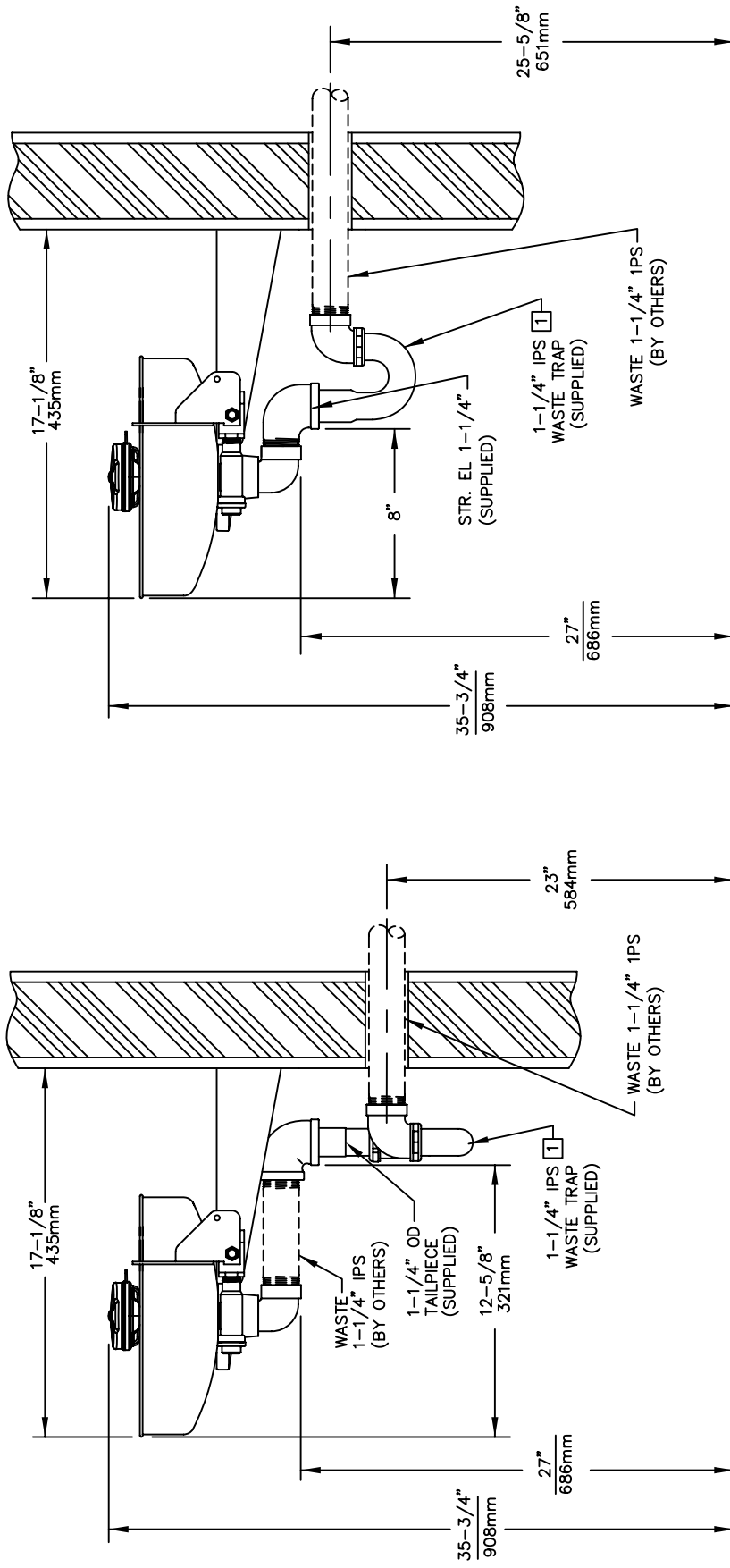


INFO FAX : 1-888-FAX-HAWS (1-888-329-4297)
 1455 Kleppe Ln, Sparks NV, 89431
 Phone: 775-359-4712 Fax: 775-359-7424
 Haws Ag, Bachweg 3, CH-3401 Burgdorf, Switzerland
 Haws Mtg Pte Ltd, 74 Sungai Kadut Loop, Singapore 729531
 e-mail: Haws@hawsco.com website: www.hawsco.com

MODEL(S): 7360B TW
 DRAWN: ECN:4170 IR
 DATE: 03/08
 APPROVED: [Signature]
 SCALE: 1:1
 DRAWING TYPE: INSTALLATION/FABRICK

0007080039.D
 DRAWING NUMBER: 13498A00
 SHEET: 1 OF 2

THIS DOCUMENT IS TRUE AND CORRECT AT TIME OF PUBLICATION. CONTINUED PRODUCT IMPROVEMENTS MAKE SPECIFICATIONS AND MEASUREMENTS SUBJECT TO CHANGE WITHOUT NOTICE.



OPTION A ALTERNATE INSTALLATIONS OPTION B

NOTE:
 [1] TRAP SHOULD BE WRAPPED TO PROVIDE ADDITIONAL USER PROTECTION.

NOTES:

- TO COMPLY WITH ANSI Z358.1-2004 FOR EMERGENCY EYEWASH OR EYEFACE WASH AND SHOWER EQUIPMENT:
 - UNIT SHALL BE INSTALLED IN ACCORDANCE WITH MANUFACTURER'S INSTRUCTIONS AND ACCEPTABLE PLUMBING PRACTICES.
 - EYEWASH OR EYEFACE WASH SHALL BE POSITIONED WITH NOZZLES NOT LESS THAN 83.8 CM (33 IN.) AND NO GREATER THAN 114.3 CM (45 IN.) FROM SURFACE ON WHICH USER STANDS AND 15.3 CM (6 IN.) MINIMUM FROM WALL OR NEAREST OBSTRUCTION.

Haws Corporation
 INFO FAX : 1-888-FAX-HAWS (1-888-329-4297)
 1455 Kleppe Ln, Sparks NV, 89431
 Phone: 775-359-4712 Fax: 775-359-7424
 Haws Ag, Bachweg 3, CH-3401 Burgdorf Switzerland
 Haws Mfg Pte Ltd 74 Sungai Kadut Loop Singapore 729531
 e-mail: Haws@hawsco.com website: www.hawsco.com

FOR NO.:	REVISION:	DATE:	BY:	APPROVED:	SCALE:	TYP.	INSTALLATION:	BACK
7360B	1	03/08	IR		1/8"	1	7360B	16
MODEL(S):	7360B							
INFO FAX:	27360286							
DRAWING NUMBER:	13498A00							
SIZE:	A							
SHEET:	2 OF 2							